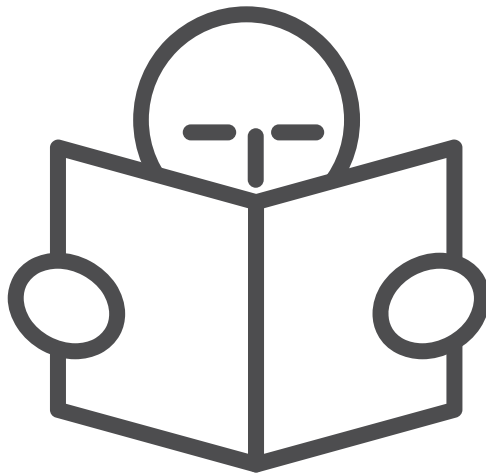




**Please read the following before unpacking and installation, in order to avoid damages and incorrect installation. Otherwise, it is at your own risk and the guarantee becomes void.**



**All parts and packaging are photographed at the factory.**



**Watch our installation video.**



**Scan the QR code or visit [lacunaofdenmark.com](http://lacunaofdenmark.com)**

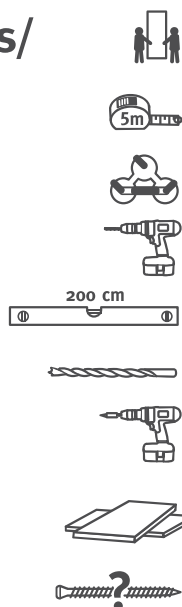


**If possible, begin with the unpacking, assembling and installation of the frame.**



**If possible, leave the door-leaves on the pallet, until they can be installed in the (almost) finished frame.**

## Required tools/ people and materials for installation



2 people to install

Measure tape

If available, a suction cup for glass

Drill

Spirit level

Drill bit, 6.5mm

Power screwdriver

Blocks for installation of the frame

Screws in various lengths and qualities  
(As Lacuna do not know if the folding door is being installed in a timber, concrete or steel construction, no fixing / frame screws are included.)

## Order of installation



—

Assembling of frame

7

—

Installation of frame

8-9

—

Installation of door-leaves

10-14

—

Final installation of frame

15

—

Adjustment

16

—

Bill of materials

17

## Descriptions

**F**

Component designation

**3**

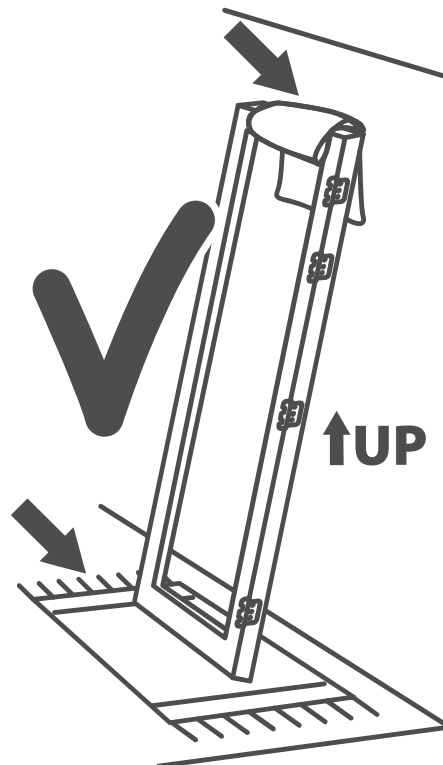
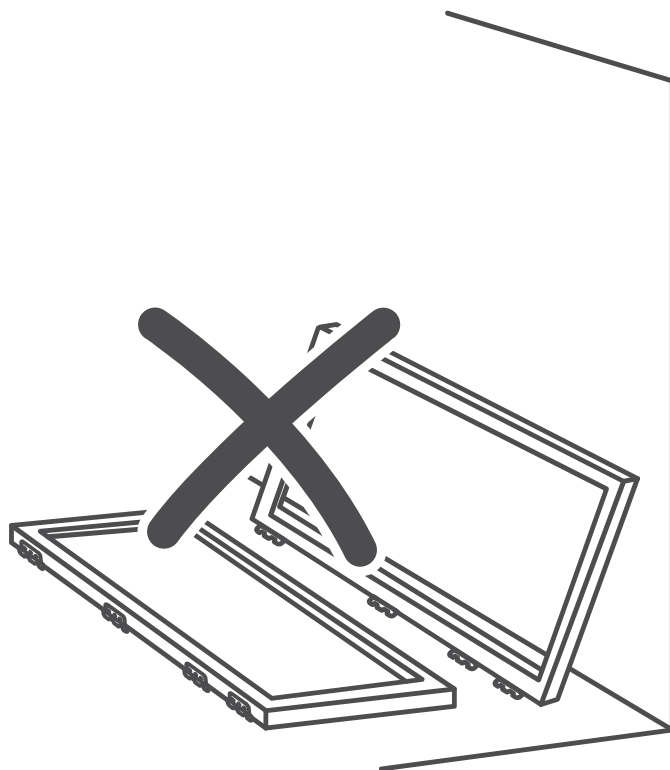
Installation order 1- 22



Seen from the inside



Seen from the outside



**Any questions regarding  
the installation guide?**



**Please ring Lacuna:  
Morten on 03300 010 552**

## Installation guide for semi/self-supporting folding doors and windows with integrated sliding rail

---

To facilitate adjustment, it is important that there is space for blocking up/alignment of the frame on all sides. A 12 mm clearance should therefore be allowed between frame and building. The 12 mm around the frame is a rule of thumb: The clearance could be uneven, so that 12 mm may be enough in some places, but not in others. It is important that the frame is installed exactly vertically and horizontally (remember cross measure).

PLEASE NOTE: The trolley should be put into the rail before the frame is set into the opening.

Please note that the load on each trolley is between 50 and 150 kg depending on door blade size. When the doors are folded, there can be a load of between 75 and 500 kg on just one meter of rail, where no deflection is allowed. For this reason, an exact, secure and stable installation of the rail and frame is crucial for a perfect result.

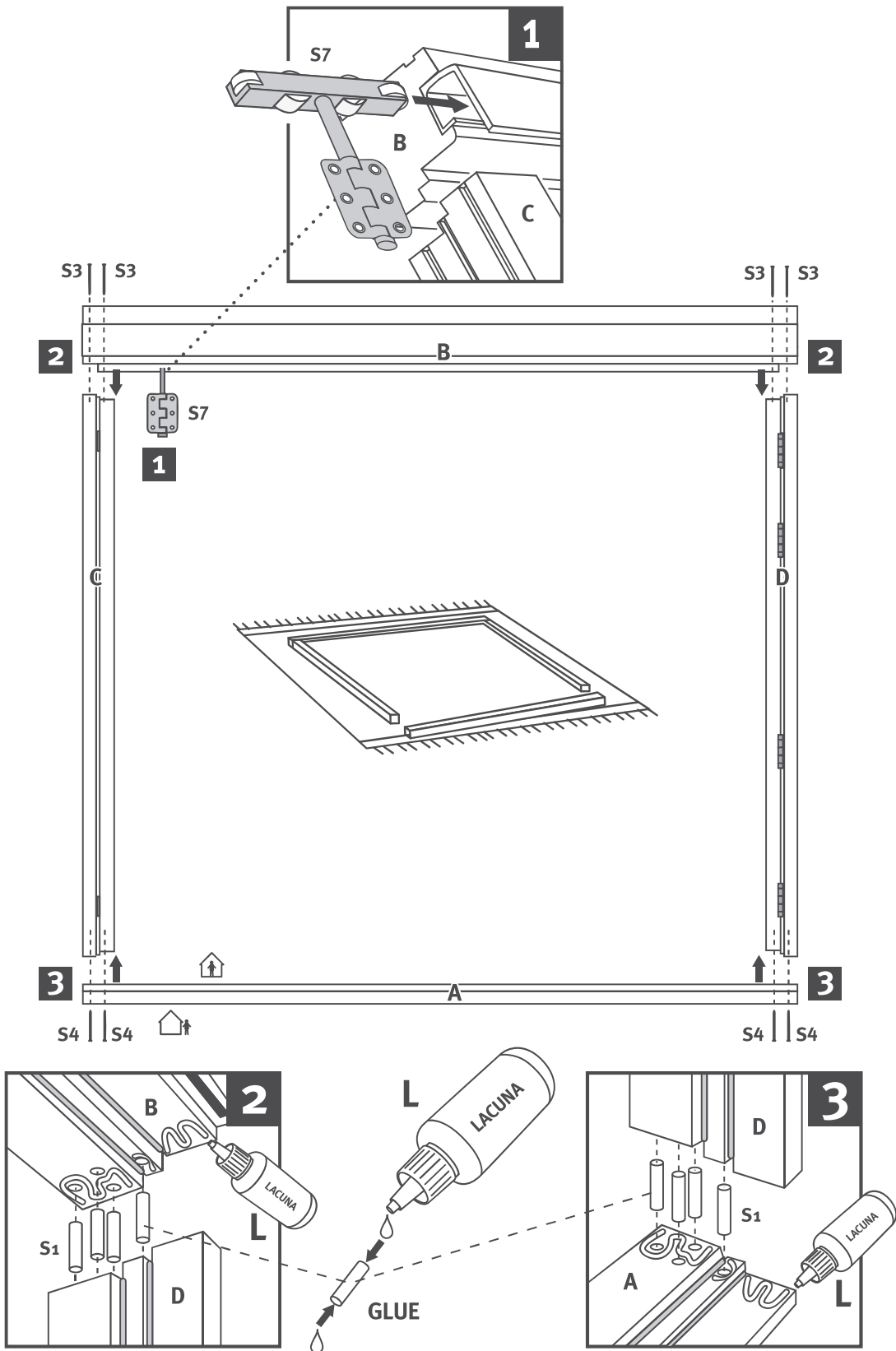
Folding doors from Lacuna can, if required, be readjusted with the enclosed 1 mm adjustment plates. Behind all hinges, a 1 mm adjustment plate can be added or removed if, at time installation or after later settlement, a small inaccuracy has occurred. For a perfect result it may well be that only certain hinges need to be adjusted by adding or removing the plates. It is not possible to adjust the hinges with a hinge bender. Adjustment of width should only be carried out with the enclosed 1 mm adjustment plates.

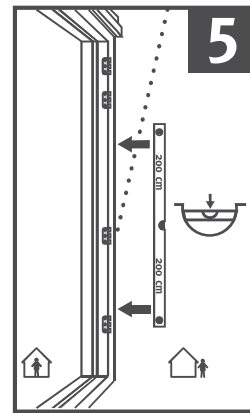
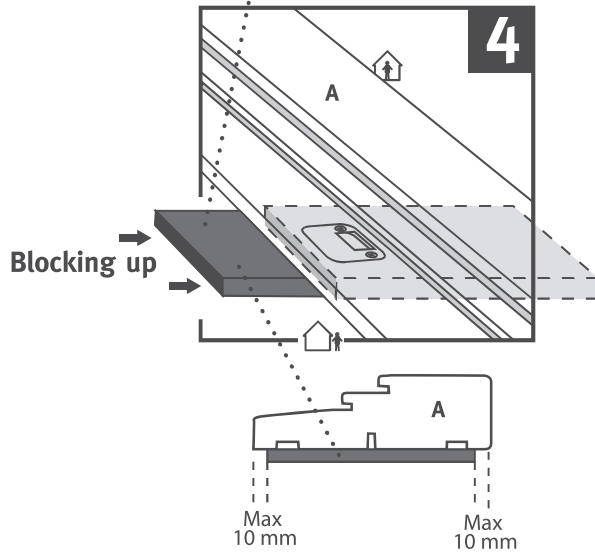
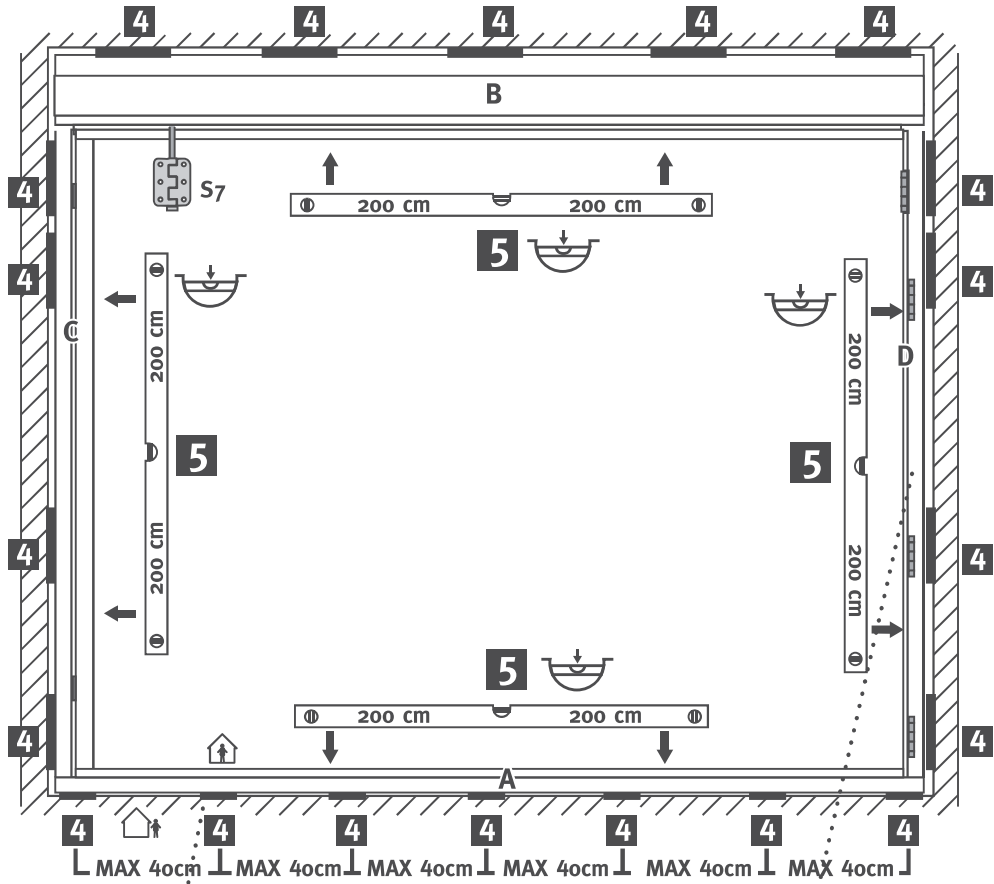


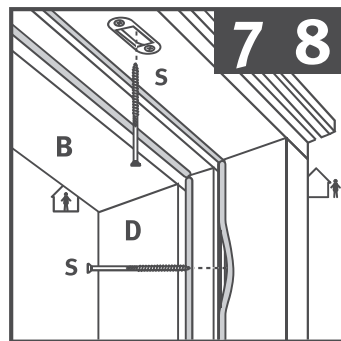
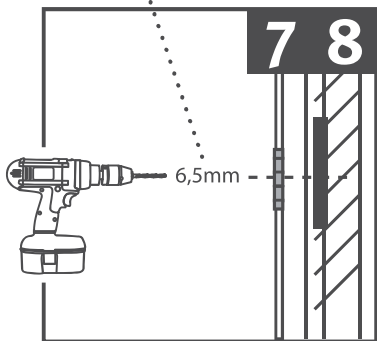
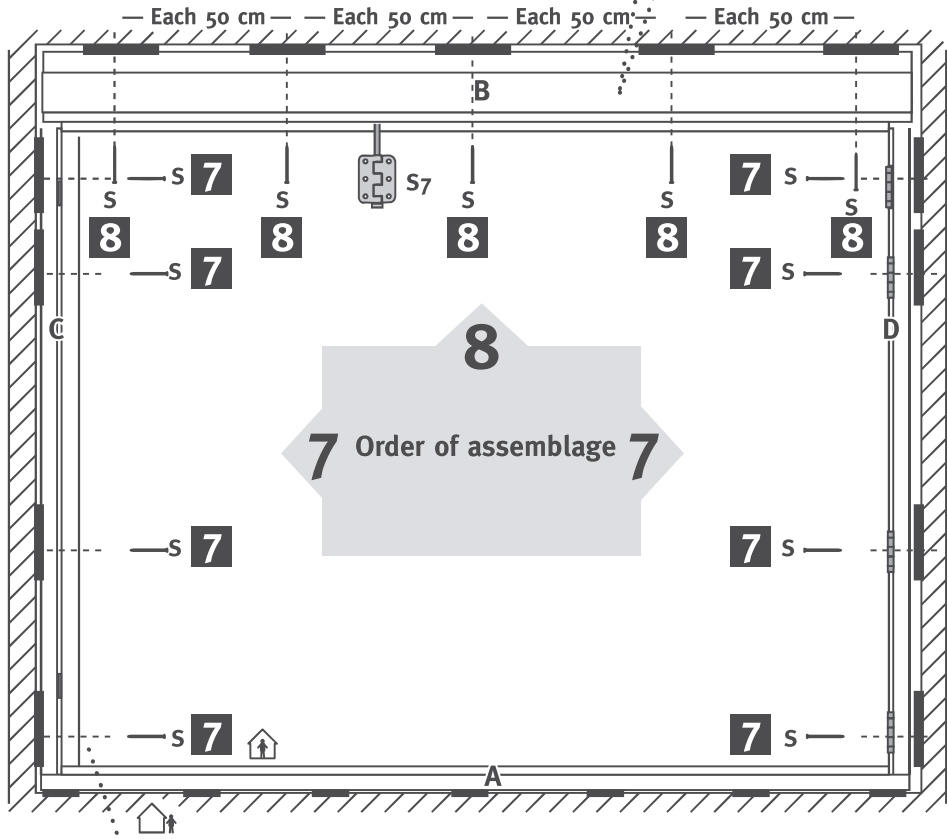
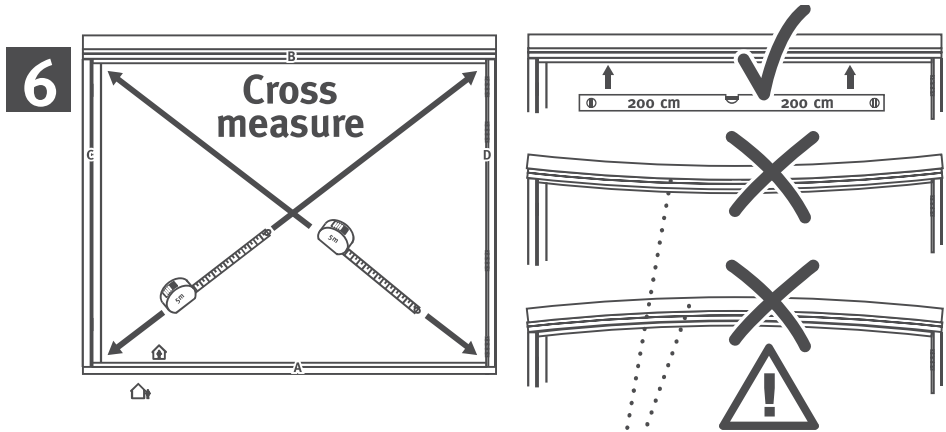
### **WARNING**

If the top frame has been mounted incorrectly, the space between this and the top side of the door blades externally (reverse for internal opening doors) may be too small, and it may be impossible to adjust it sufficiently. At the same time, the space between frame and door internally will increase. If this happens, the door blades should be taken off, and the top frame/rail adjusted and remounted.

Kind regards  
Lacuna A/S



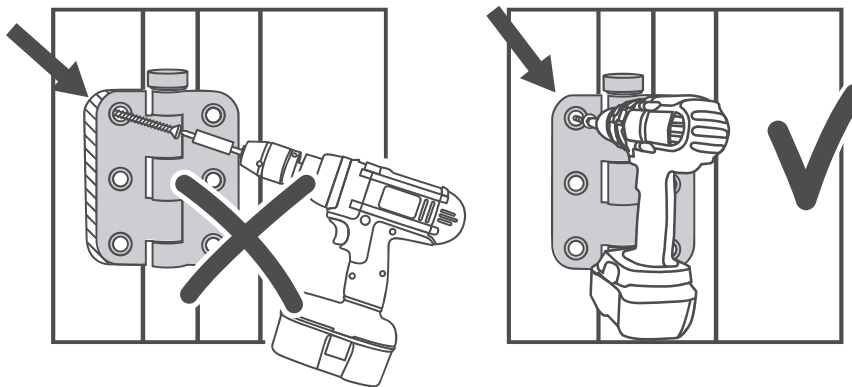
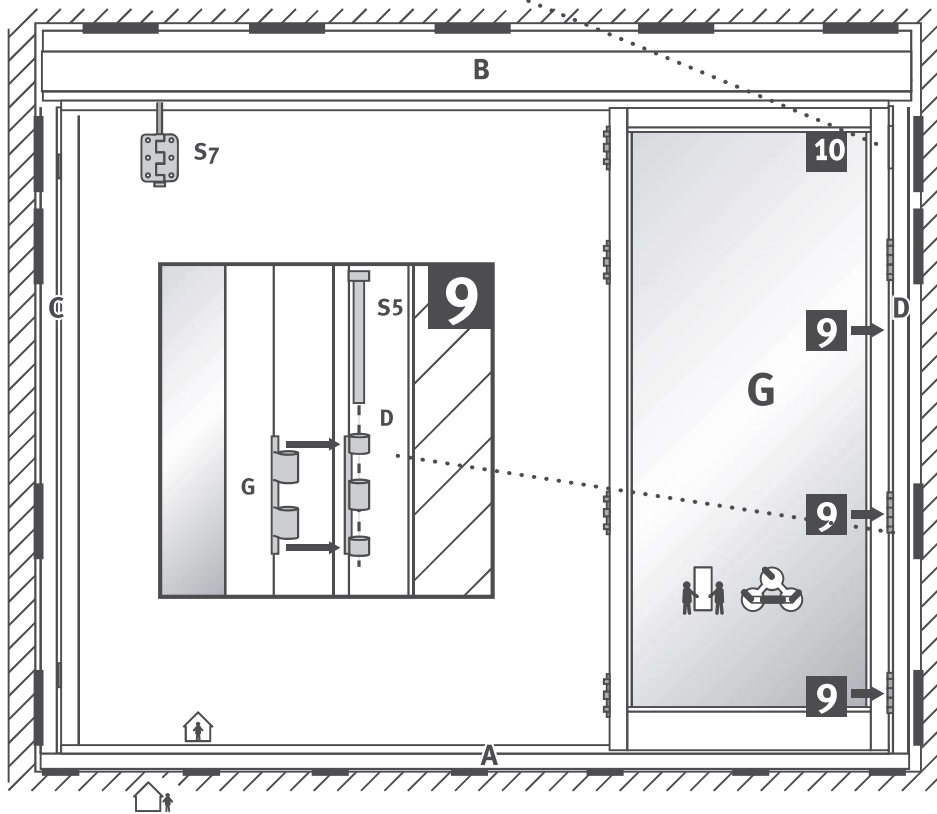
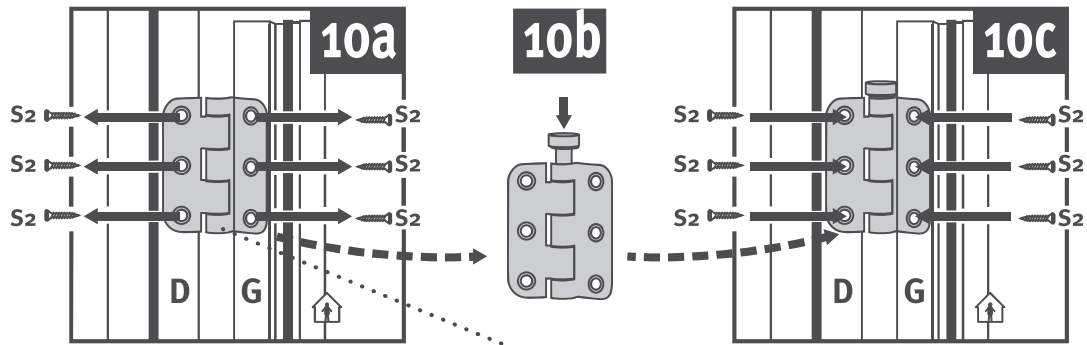


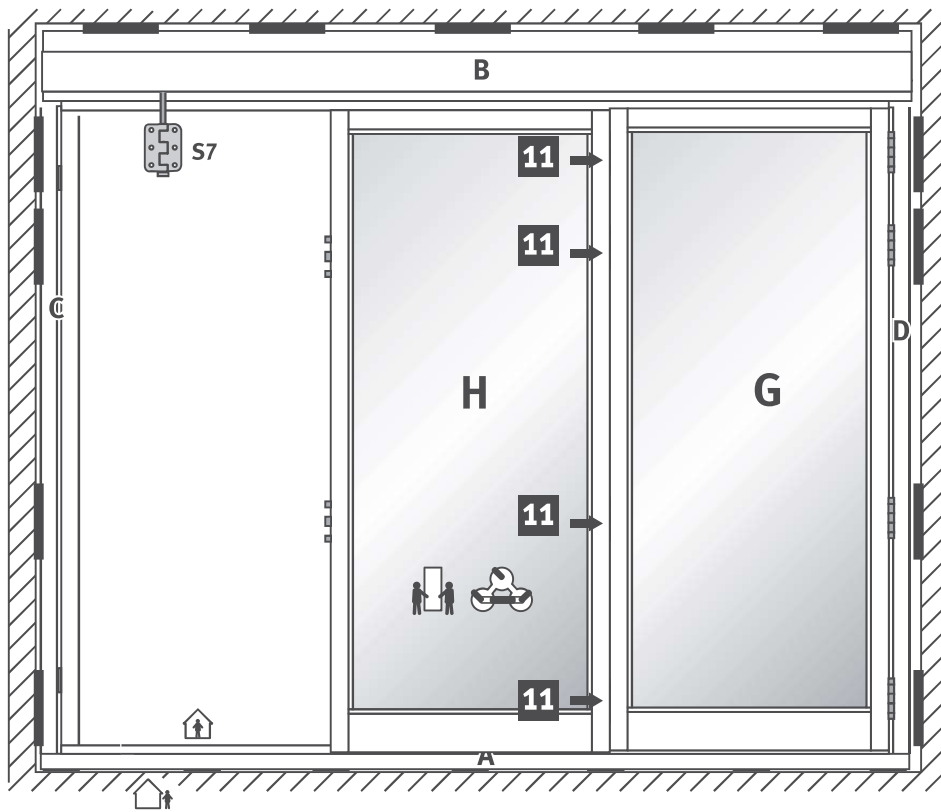


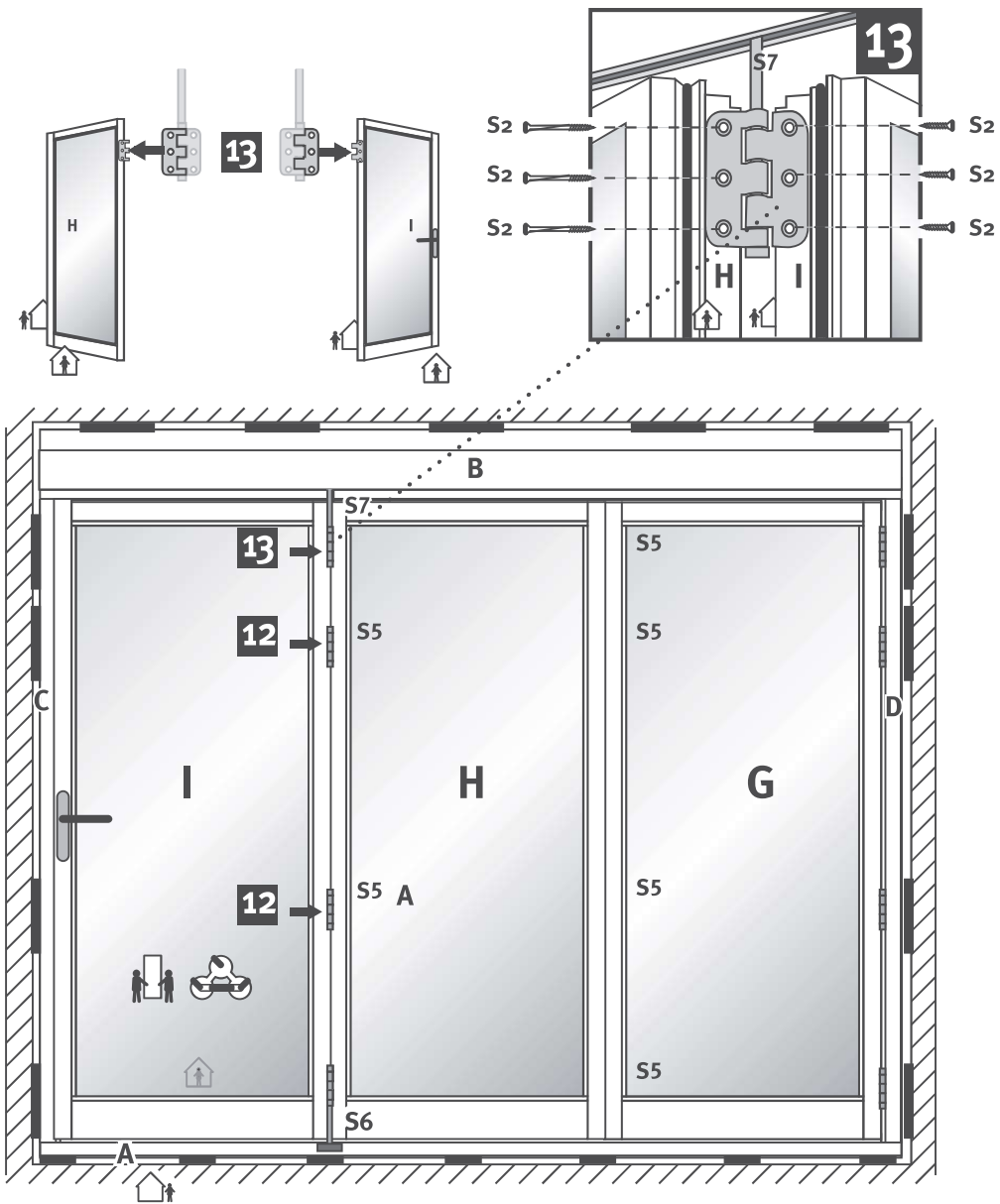
**Hide screws if possible**

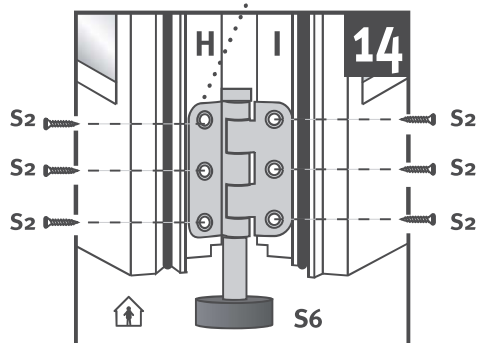
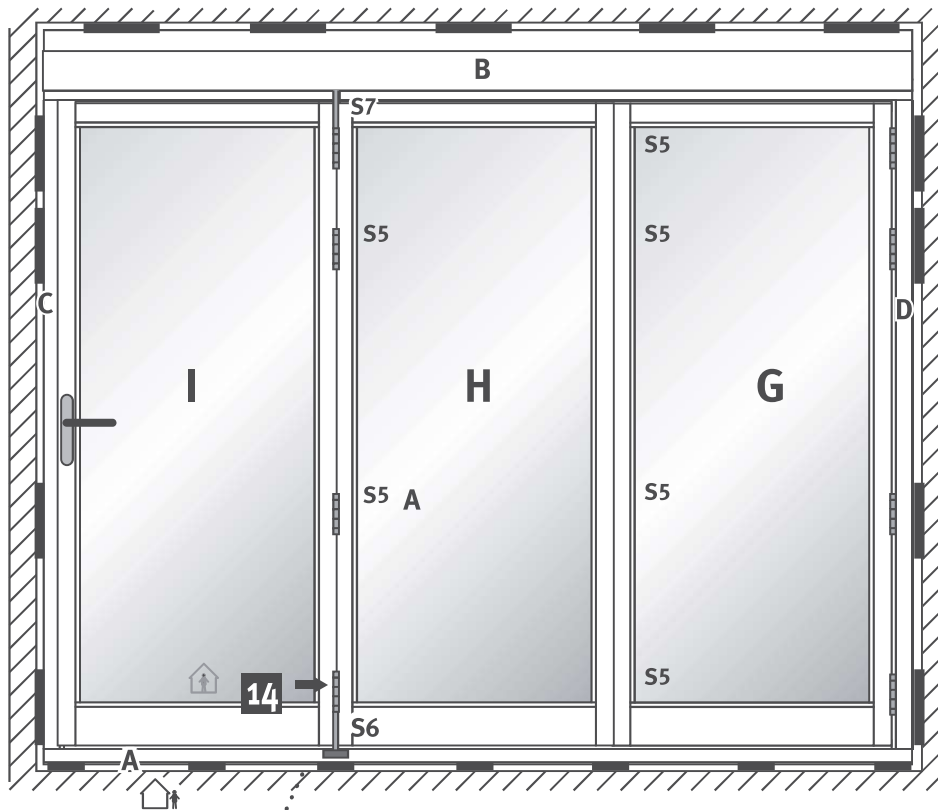
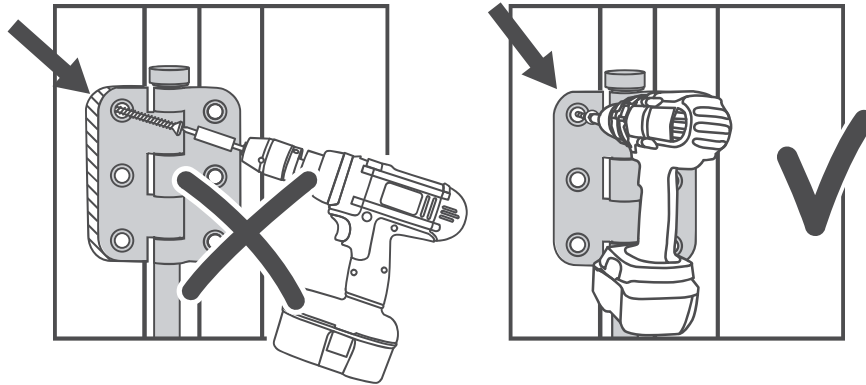
(S) Screws for fixing frames are not included

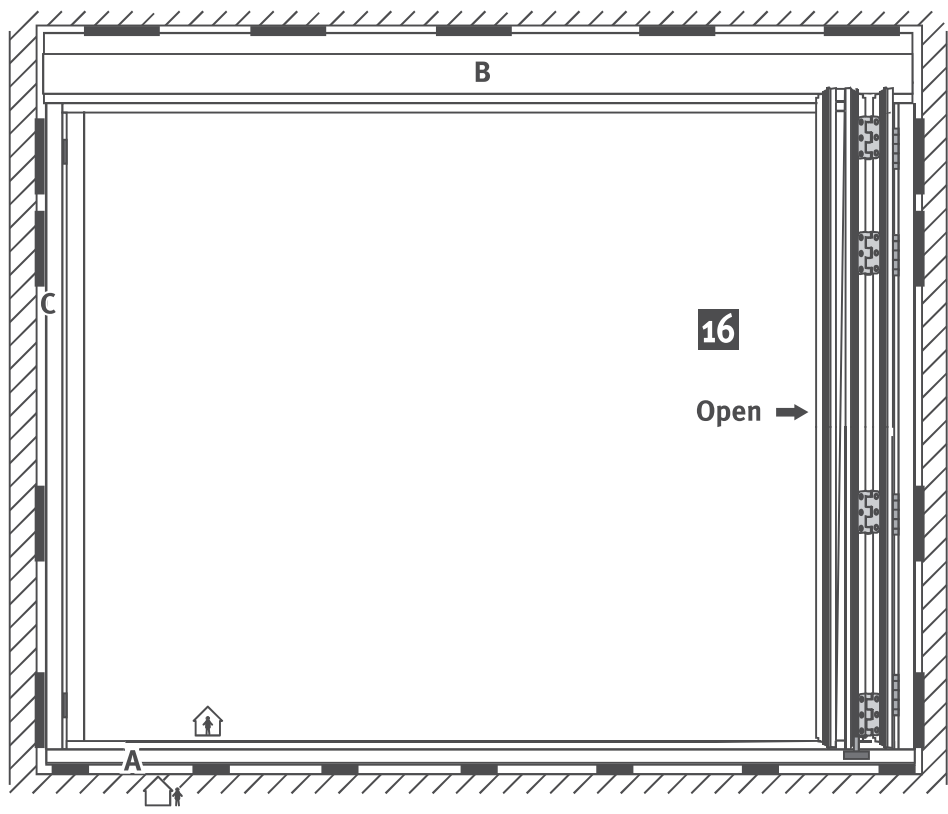
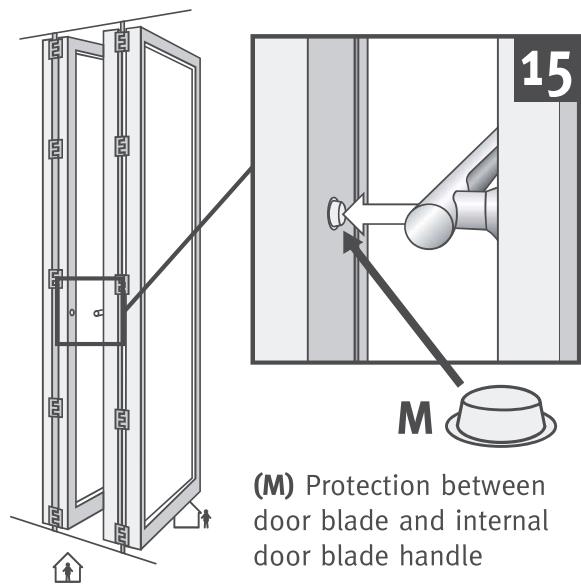


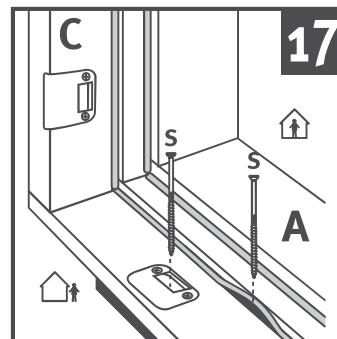
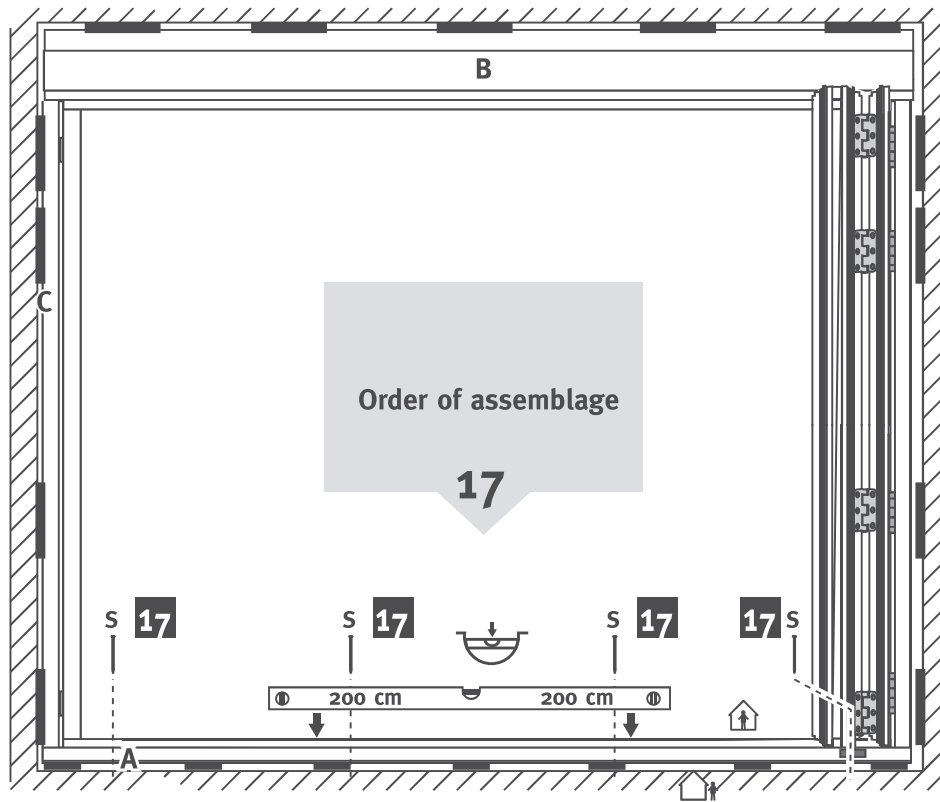




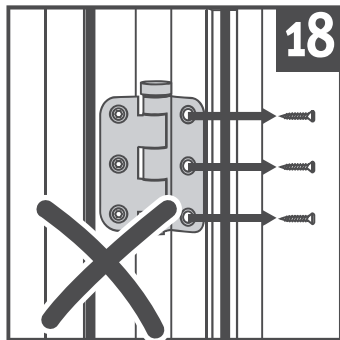
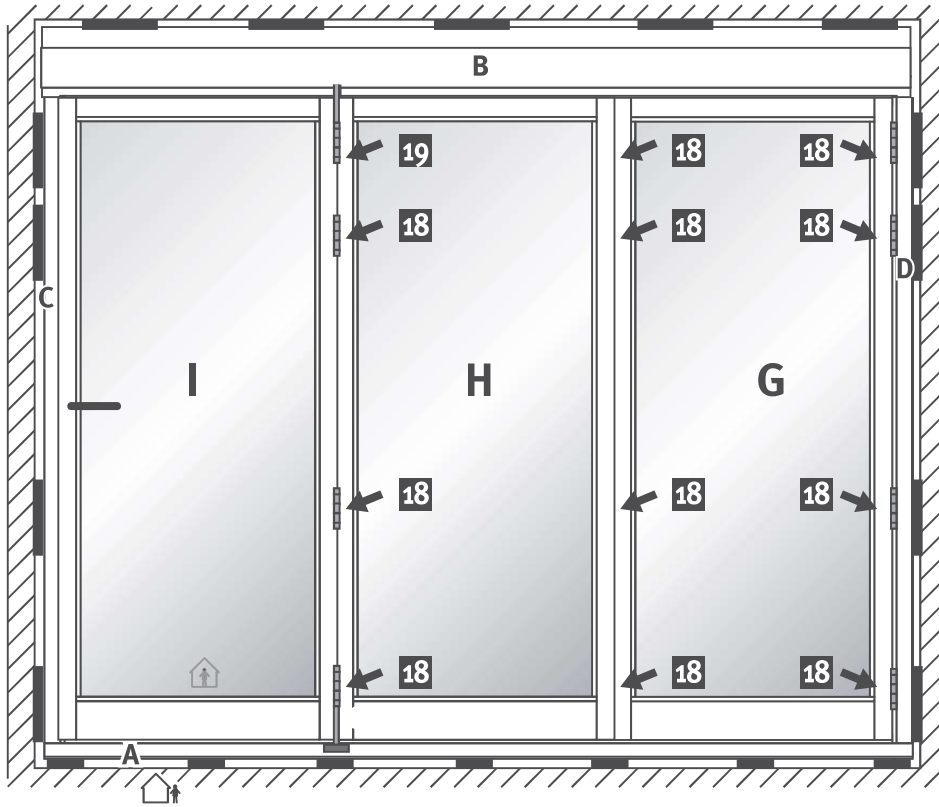




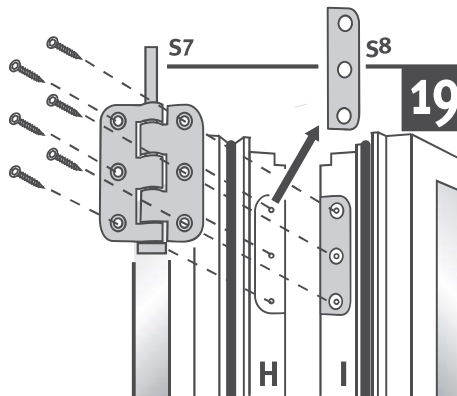
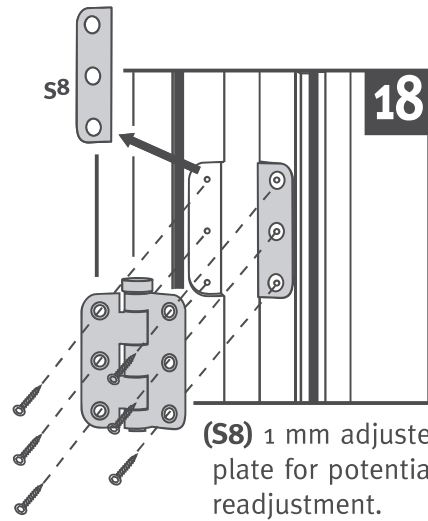
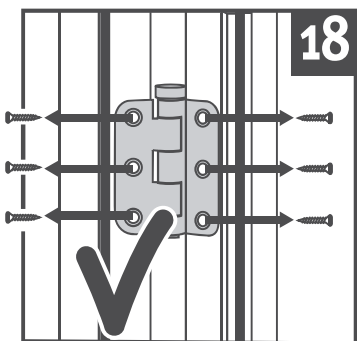




Hide screws if possible






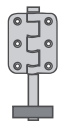
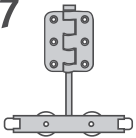

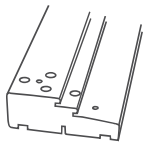
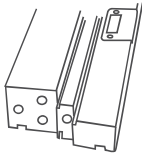
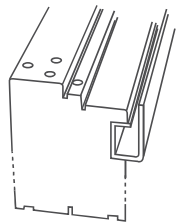







All screws in the hinge must be loosened before removal of the adjuster plates.



# MANGLER OVERSÆTTELSER

## PCS/STK/STK

<p><b>S1</b> 5 x 90 mm</p>  <p>PCS/STK/STK</p>	<p><b>S2</b> 5 x 40 mm</p>  <p>PCS/STK/STK</p>	<p><b>S3</b> 6 x 150 mm</p>  <p>PCS/STK/STK</p>
<p><b>S4</b> 5 x 100 mm</p>  <p>PCS/STK/STK</p>	<p><b>S5</b></p>  <p>PCS/STK/STK</p>	<p><b>S6</b></p>  <p>PCS/STK/STK</p>
<p><b>S7</b></p>  <p>PCS/STK/STK</p>	<p><b>S8</b></p>  <p>PCS/STK/STK</p>	
<p><b>A</b> Bundkarm</p>  <p>PCS/STK/STK</p>	<p><b>C/D</b> Sidekarm</p>  <p>PCS/STK/STK</p>	<p><b>B</b> Topkarm</p>  <p>PCS/STK/STK</p>
<p><b>G/H</b> Foldedør</p>  <p>PCS/STK/STK</p>	<p><b>I</b> Åbningsdør</p>  <p>PCS/STK/STK</p>	<p><b>J</b> Bi-dør m/ kantrigler</p>  <p>PCS/STK/STK</p>
<p><b>L</b></p>  <p>PCS/STK/STK</p>	<p><b>M</b></p>  <p>PCS/STK/STK</p>	

(S) Screws and fittings to fasten the top, bottom- and side frames is not included

(S) Schrauben und Befestigungsmittel zum Befestigen der oberen, unteren und seitlichen Hölzer sind im Preis nicht enthalten

(S) Skruer til montage af karm medfølger ikke