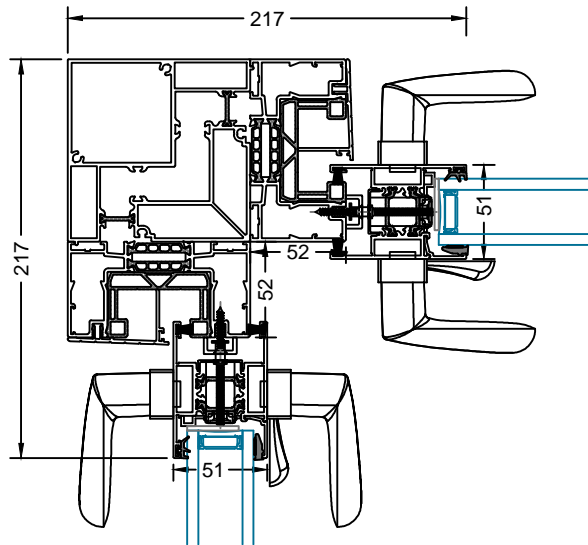


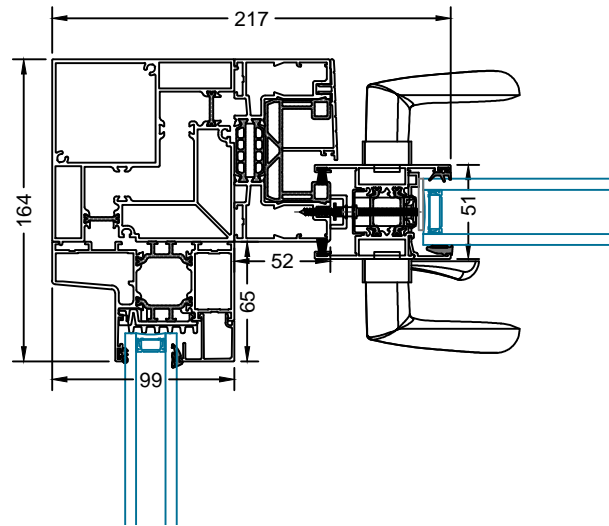
# SVG30/SVG83 (Twin Track)

## COUPLING DETAILS

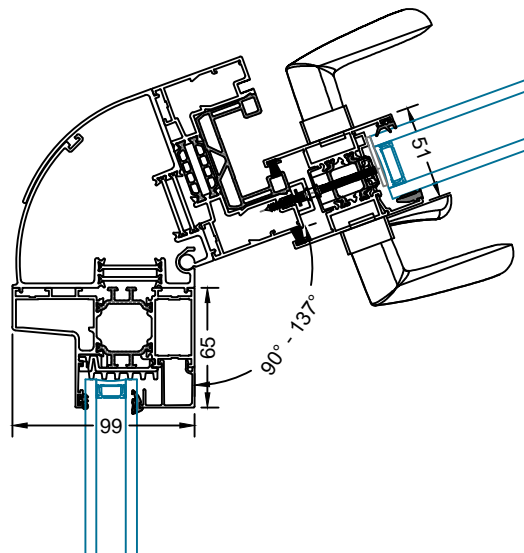
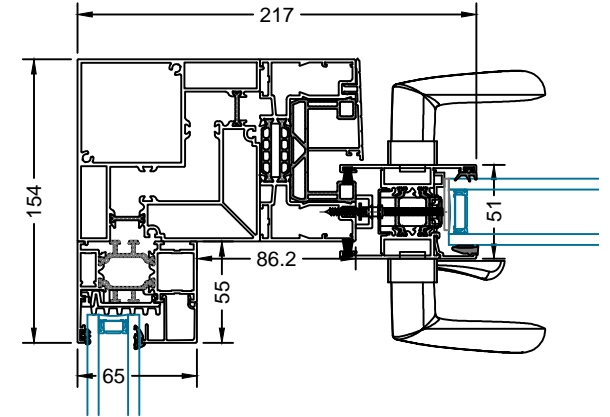
Twin Track  
Fixed Corner Post



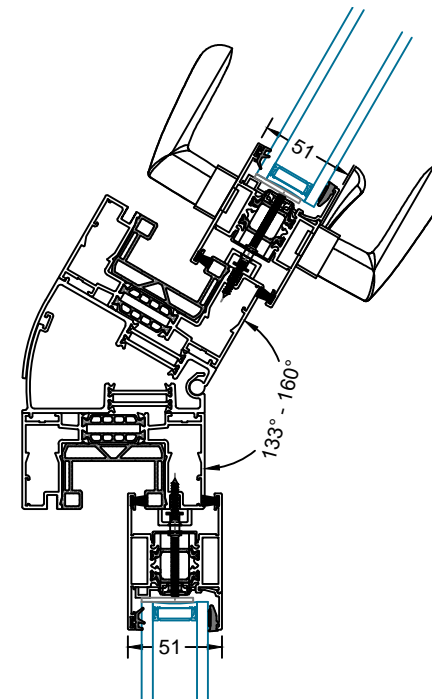
Twin Track  
and SEF99  
Fixed Corner Post

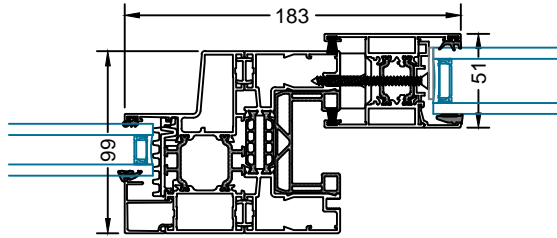


Twin Track  
And SEF65  
Fixed Corner Post

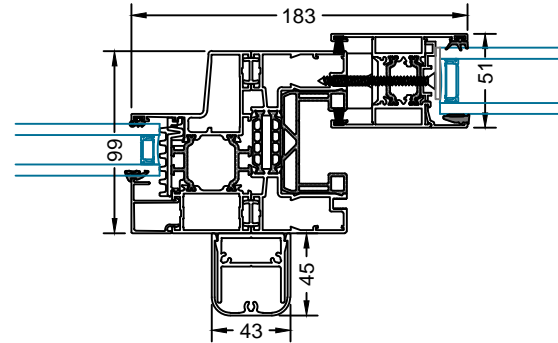


Note: SUNFLEX  
Corner Posts Are  
NOT Designed to  
Offer Support To  
The Building  
Structure

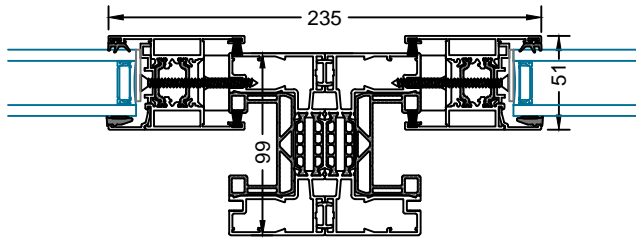




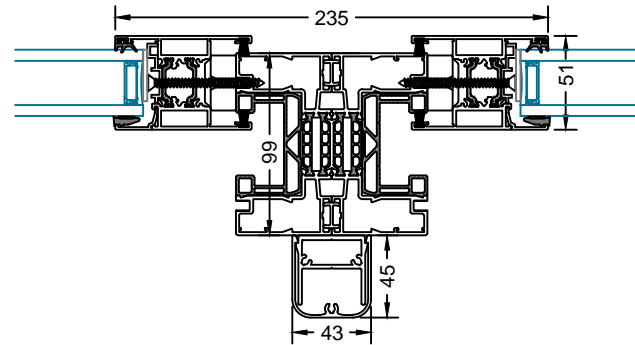
Fixed Frame/Slider  
Standard



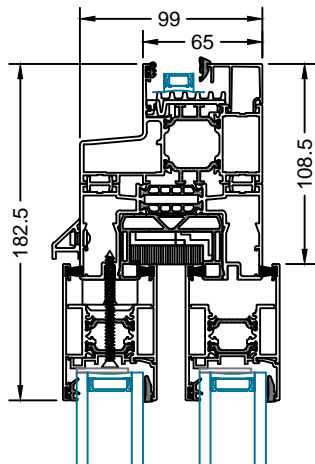
Fixed Frame/Slider  
Heavy Duty



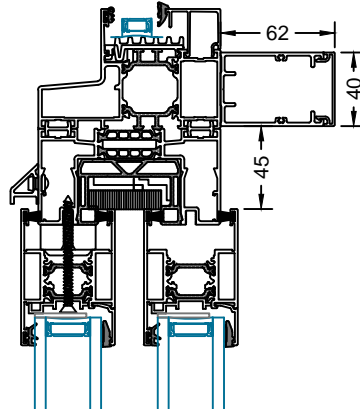
Slider/Slider  
Standard



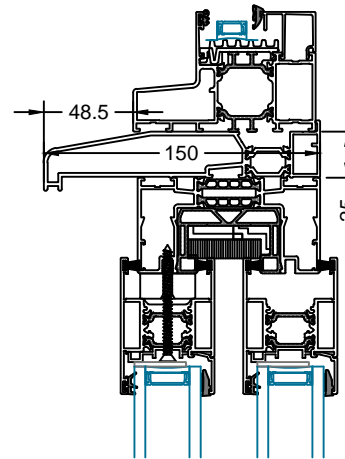
Slider/Slider  
Heavy Duty



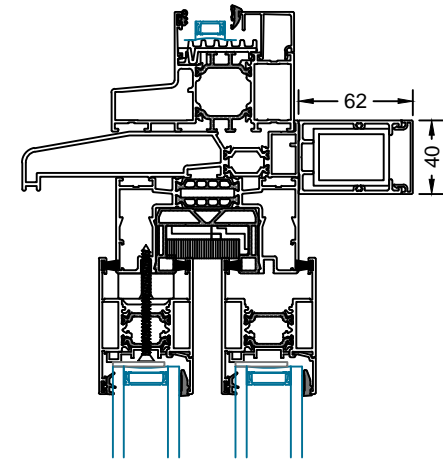
Standard



Heavy Duty



Heavy Duty For More Exposed Locations



Heavy Duty For Extra Wide Openings

For Profile Limitations,  
See Section E