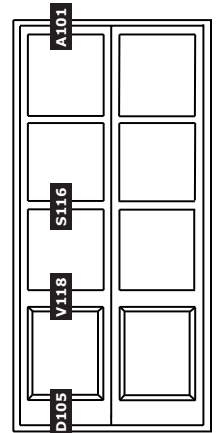
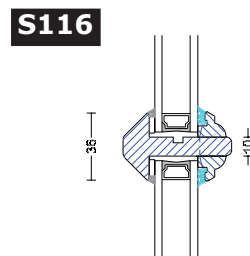
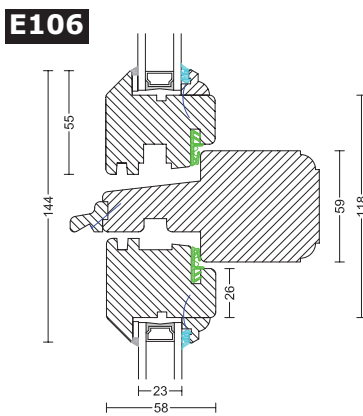
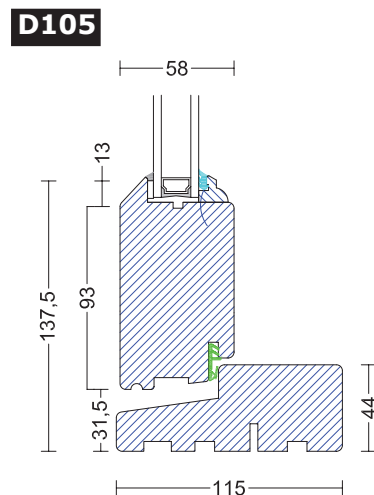
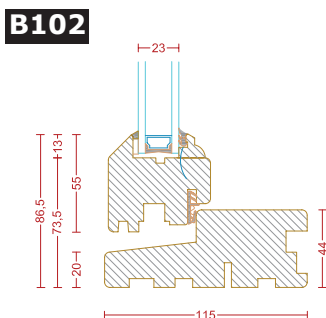
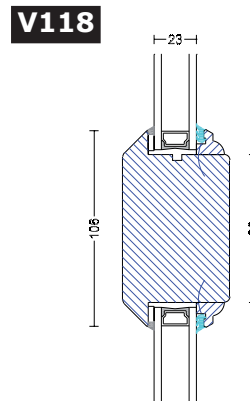
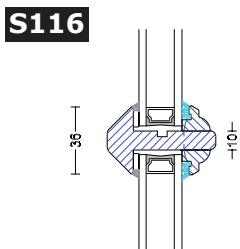


Outward opening window



Outward opening French door



French door with hardwood threshold

Rosenholm

An outward opening window and door system which is both modern and traditional at the same time. The construction is based on Scandinavian craftsman traditions resulting in robust and very functional windows and doors.

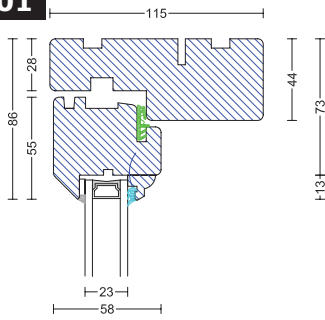
Slim profiles

Extremely slim profiles with the optional choice of different profiles and traditional brass hardware makes this window suitable for renovation. In new builds the aesthetically beautiful, slim profiles create an excellent natural lighting. Alternative modern transoms, mullions and glazing bead profiles may be found under Accessories page 31.

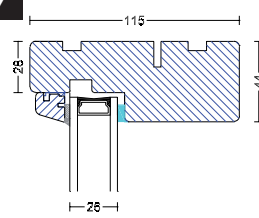
Combination units

This construction leaves room for new thinking and different architecture, as the combination options are simply endless. All types are produced according to your wish in respect of design, size, colour and accessories.

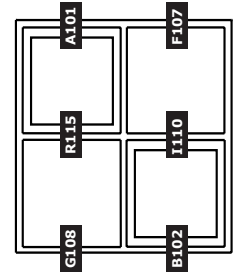
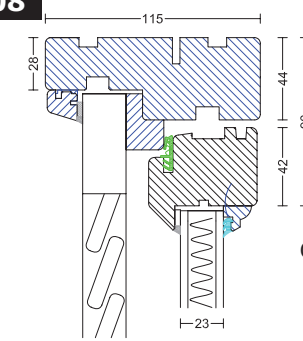
A101



F107

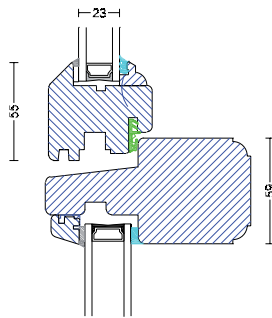


F108

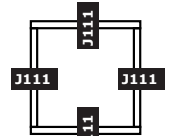
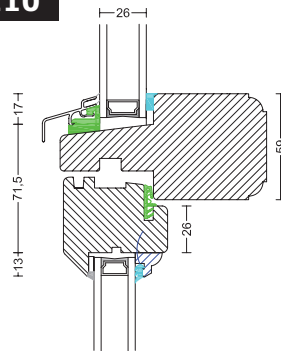


Outward opening window

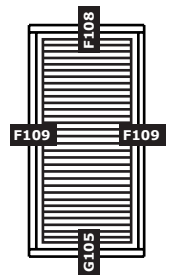
R115



I110

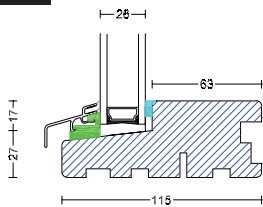


Fixed sash

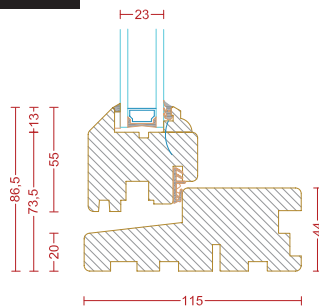


Insulated louvered unit

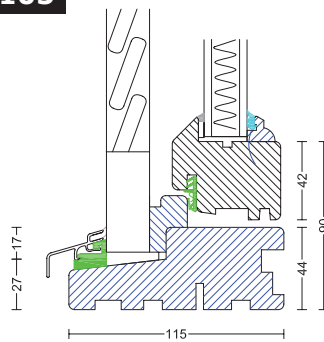
G108



B102



G105



Insulated louvered unit

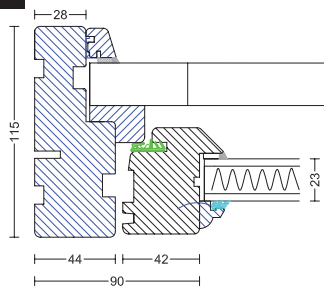
Design

Perfect window unit for safe airing. The unit is fitted with a fixed louvered unit on the outside with an insect screen fitted behind. The inside sash is an insulated smooth plywood panel. Alternatively the inside frame may be delivered with glass, e.g. frosted.

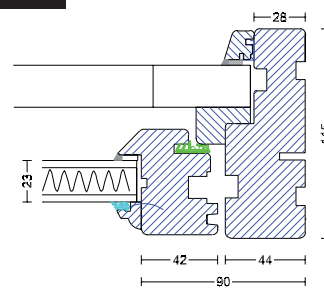
Hardware

The sash is fitted with a 2 lock point espagnolette and operated with a matt chrome Fix 83 handle as well as a build in friction brake. As standard, hinges are white with white units and stainless steel with other colours.

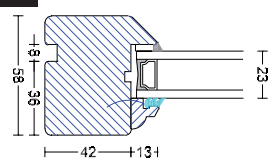
F109



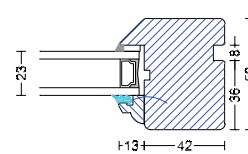
F109



J111



J111



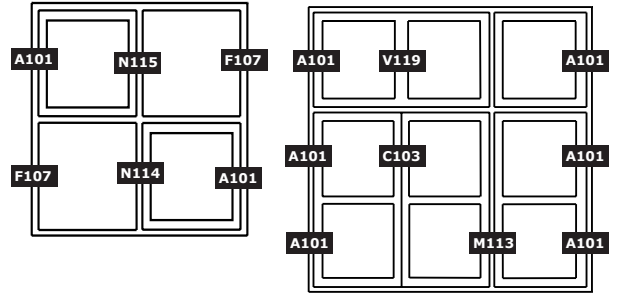
Measurements:

	Width	Height
Insulated louvered unit	Min. 403 mm Max. 888 mm	Min. 408 mm Max. 1.798 mm

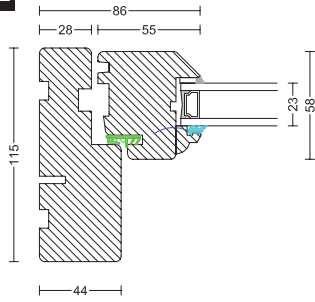
Combination window

Max. width: 3,998 mm
Max. height: 3,998 mm

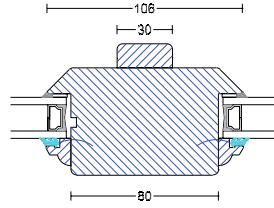
Max. area 6.25 m²



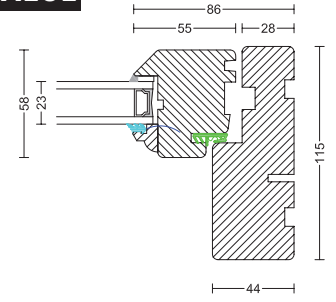
A101



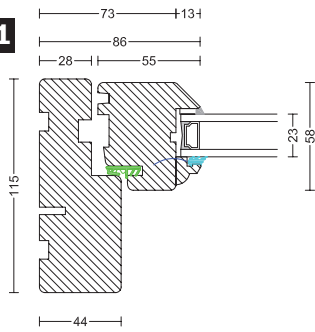
V119



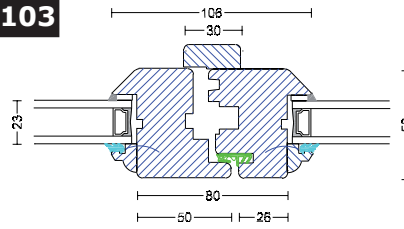
A101



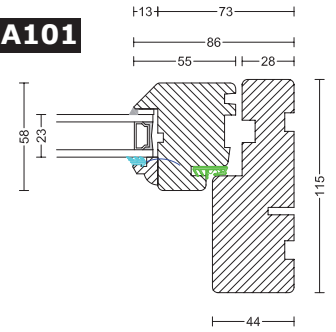
A101



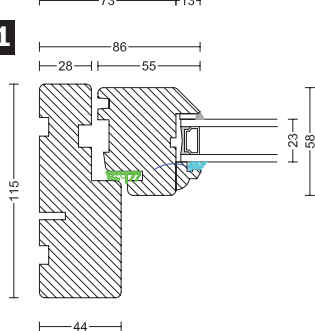
C103



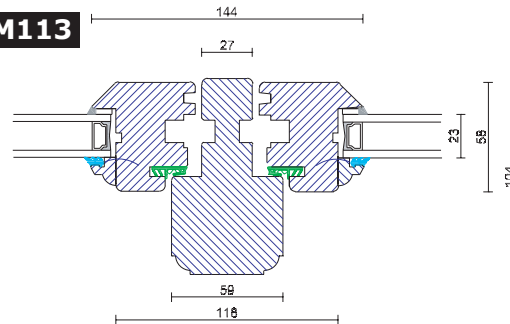
A101



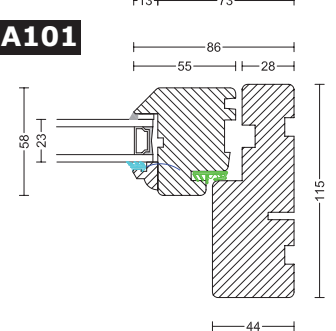
A101



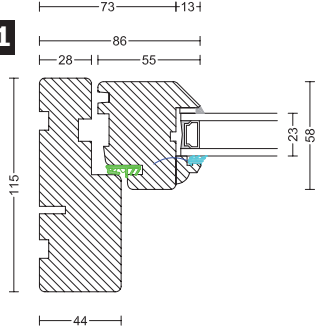
M113



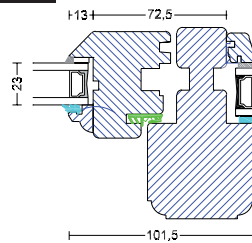
A101



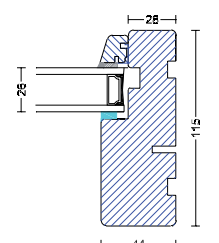
A101



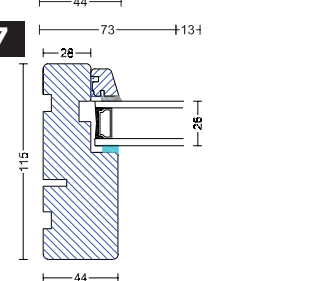
N115



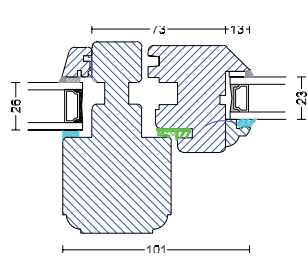
F107



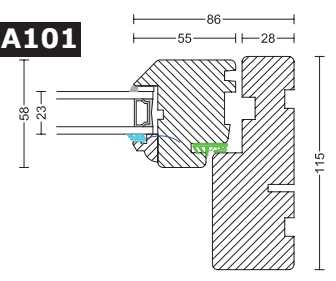
F107



N114



A101



134 73