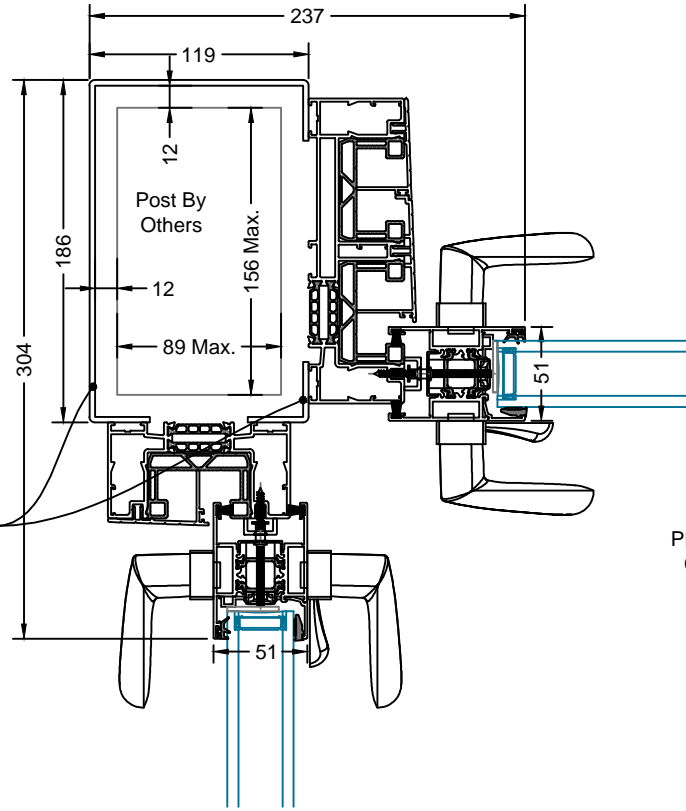


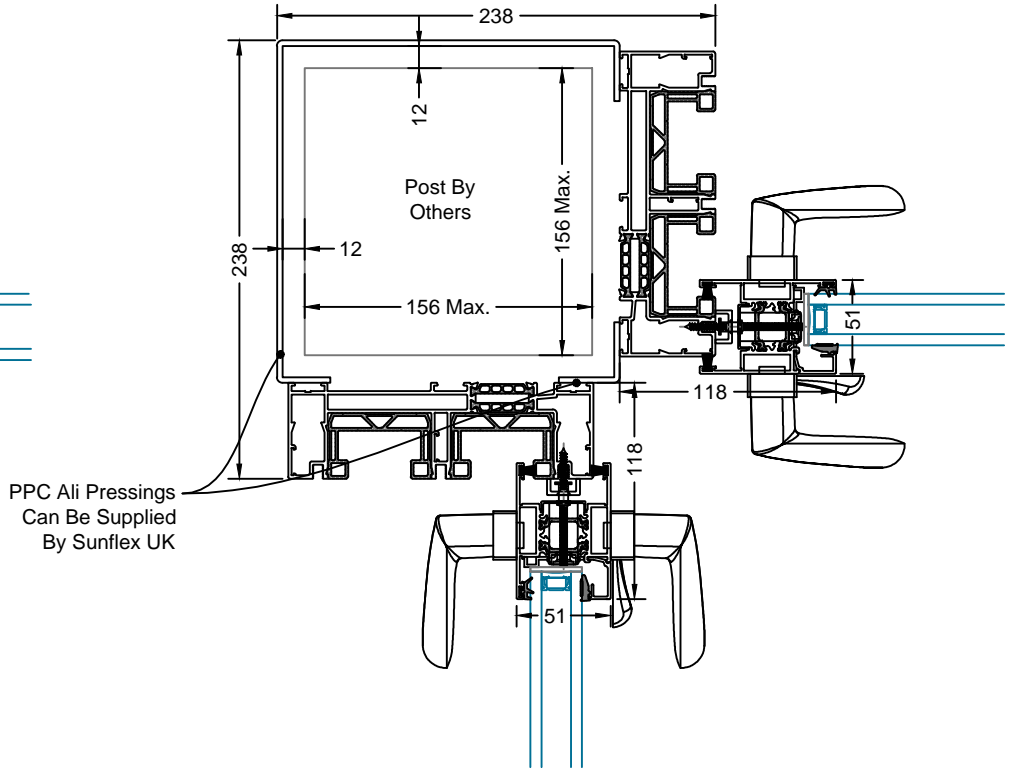
SVG30/SVG83 (Triple Track)

COUPLING DETAILS

Twin Track
And Triple Track
Fixed Corner Post



Triple Track
Fixed Corner Post



PPC Ali Pressings
Can Be Supplied
By Sunflex UK

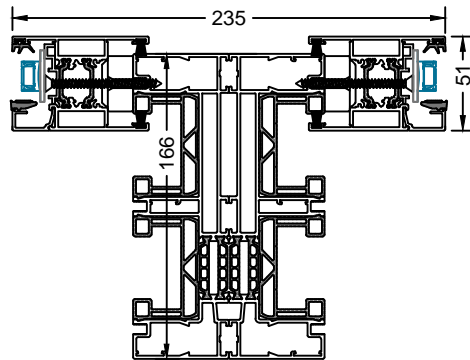
PPC Ali Pressings
Can Be Supplied
By Sunflex UK



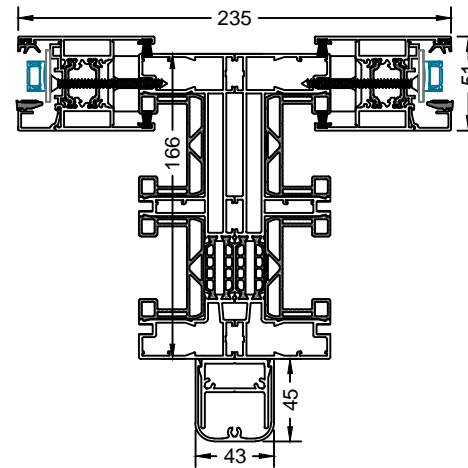
Description: SVG30/SVG83 Triple Track Vertical Coupling Typical Details - Corners

System: SVG30/SVG83
Page: D02

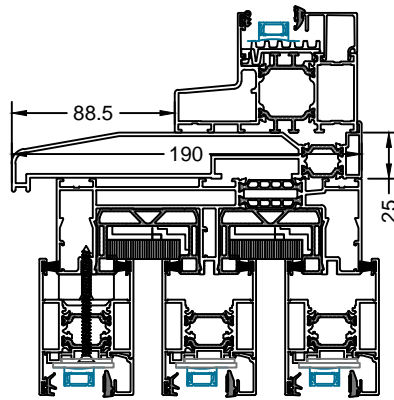
Rev.
A



Slider/Slider



Slider/Slider
Heavy Duty



For Profile Limitations,
See Section E