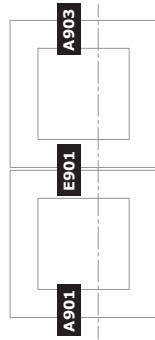
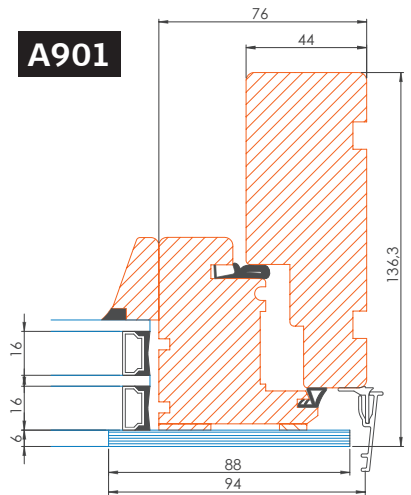
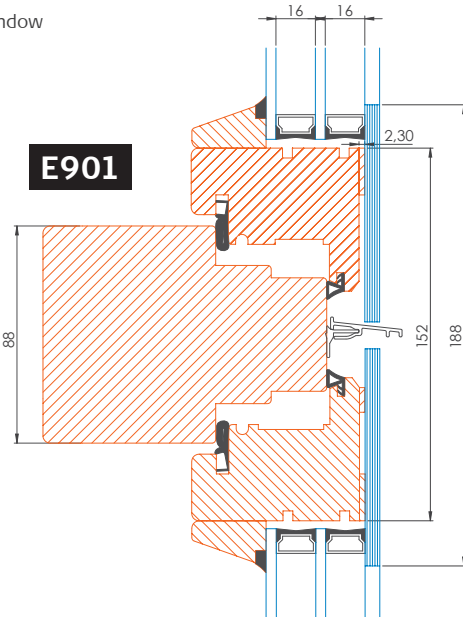
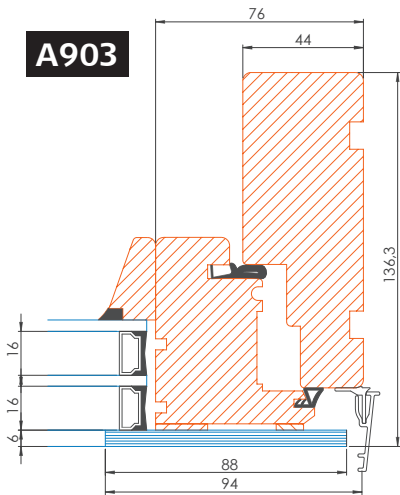


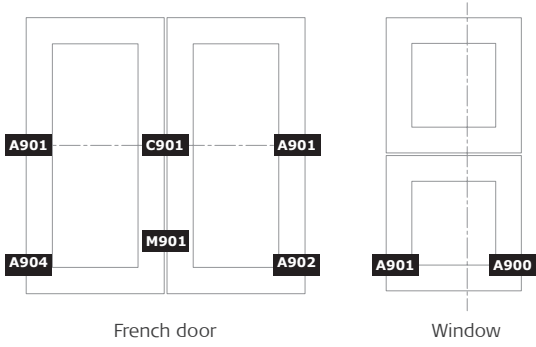
French door



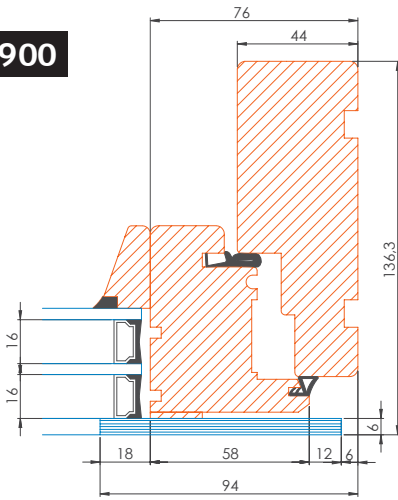
Window



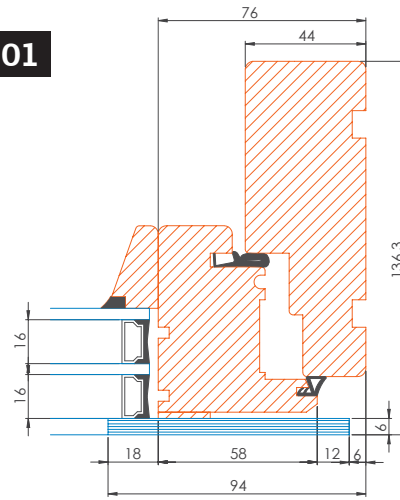
WINDOW/FRENCH DOOR



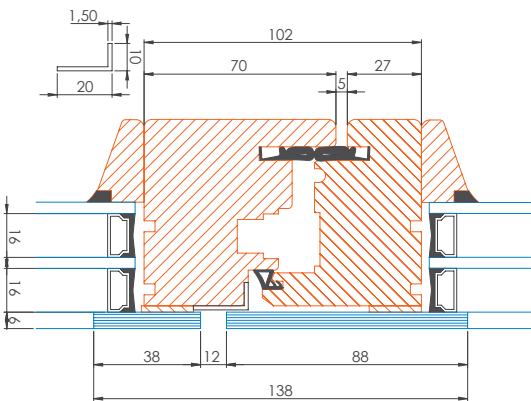
A900



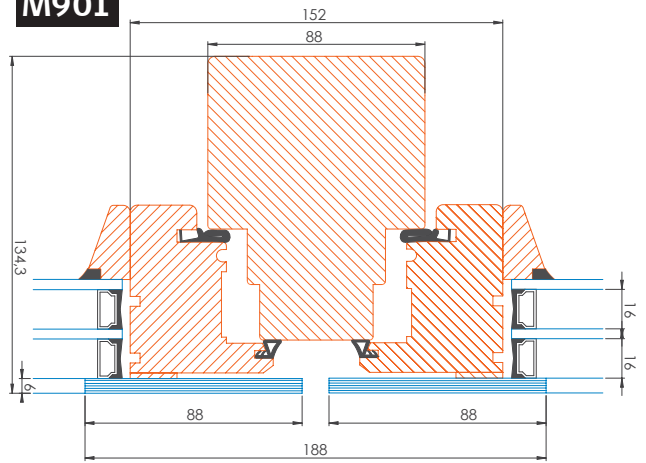
A901

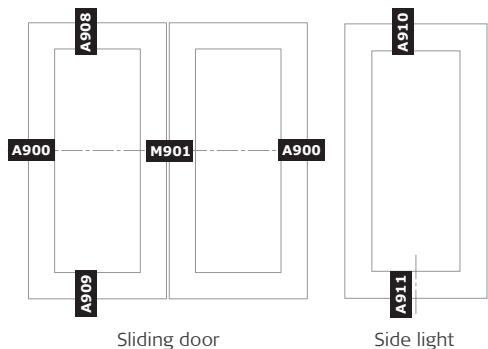


C901



M901



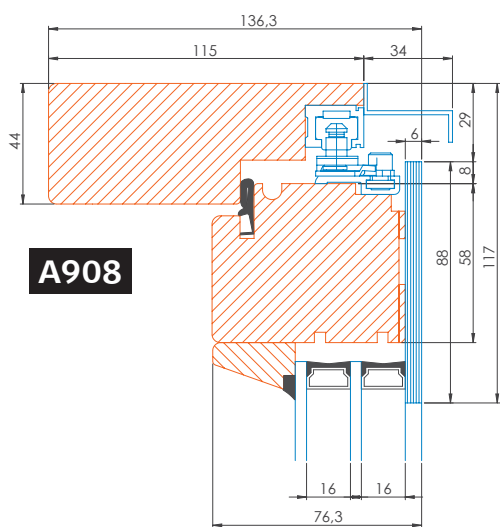


SLIDING DOOR

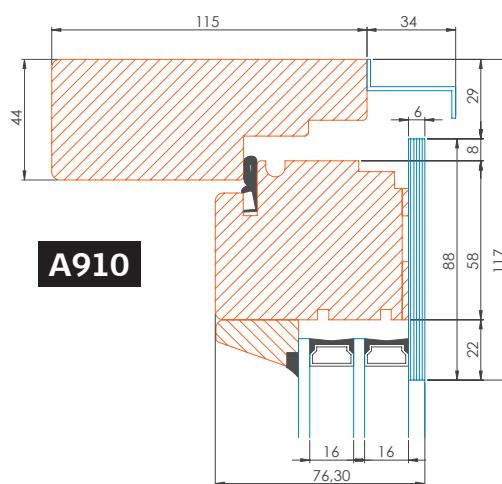
A very special high quality hardware system enables a unique sliding function in which one door leaf slides in front of a fixed section. This way the door sections take up no space and give an entirely open view.

When the sliding door is closed it appears with a plane surface without any level differences between the leading and fixed section.

The sliding door is delivered with handles and espagnolettes in both side sashes with a total of 10 locking points which live up to some of the highest safety requirements on the market.



A908



A910

STANDARD MINIMUM AND MAXIMUM SIZES

2 LEAF SLIDING DOOR

Min. width: 1,988 mm
Max. width: 2,988 mm

Min. height: 1,893 mm
Max height: 2,4538 mm

1 LEAF SIDE LIGHT

Min. width: 383 mm
Max. width: 1,488 mm

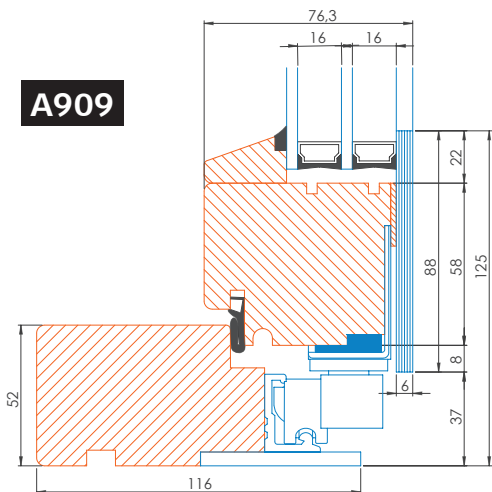
Min. height: 1,893 mm
Max height: 2,4538 mm

2 LEAF SIDE LIGHT

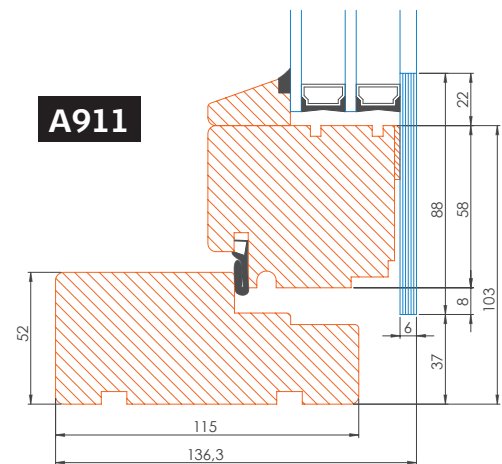
Min. width: 768 mm
Max. width: 1,488 mm

Min. height: 2,988 mm
Max height: 2,4538 mm

For other sizes please contact us for advice

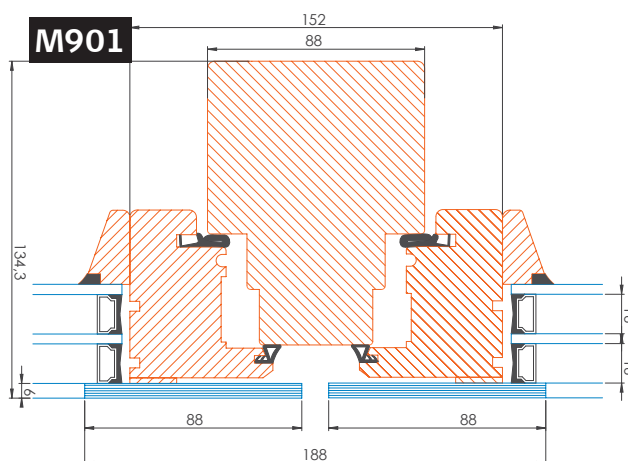


A909

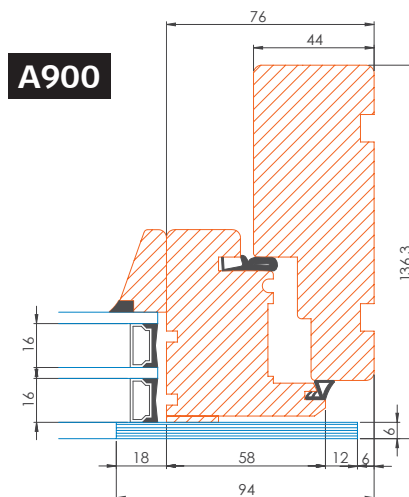


A911

Sliding door with hardwood threshold



M901

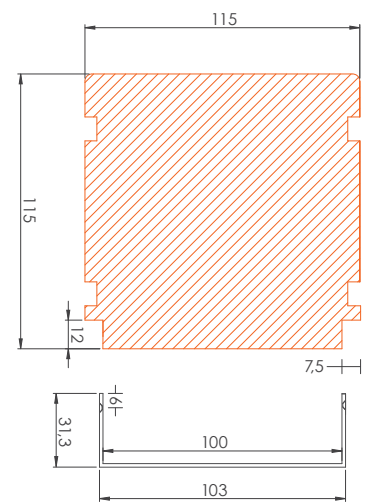
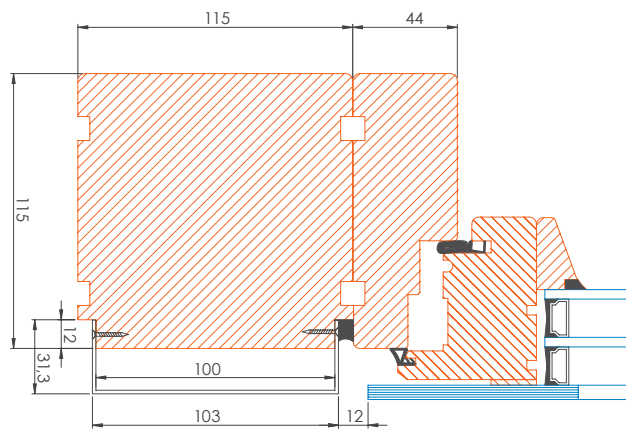


A900

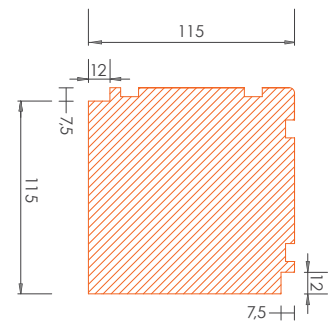
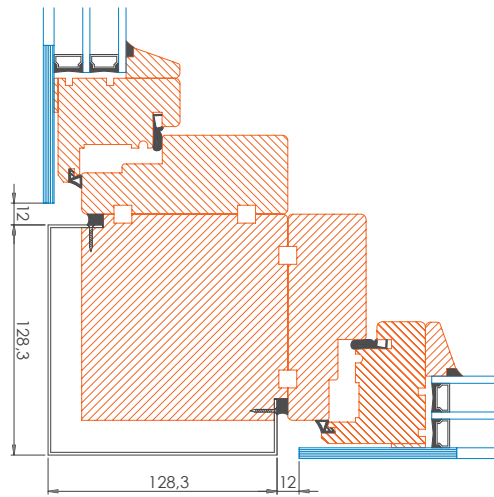
Sliding door with hardwood threshold

ACCESSORIES

A905 180° POST
Article no. L-GLX001



A906 90° CORNER POST
Article no. L-GLX002



A907 45° CORNER POST
Article no. L-GLX003

