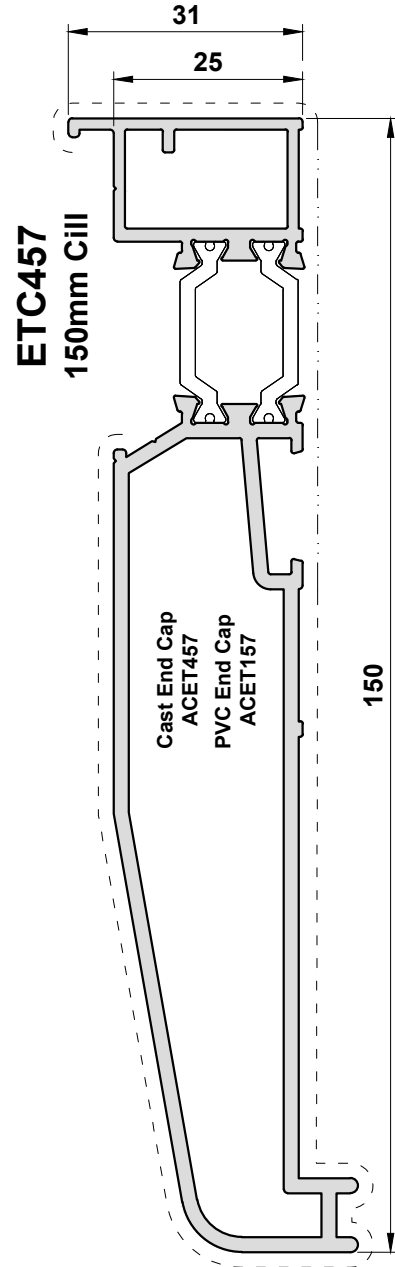
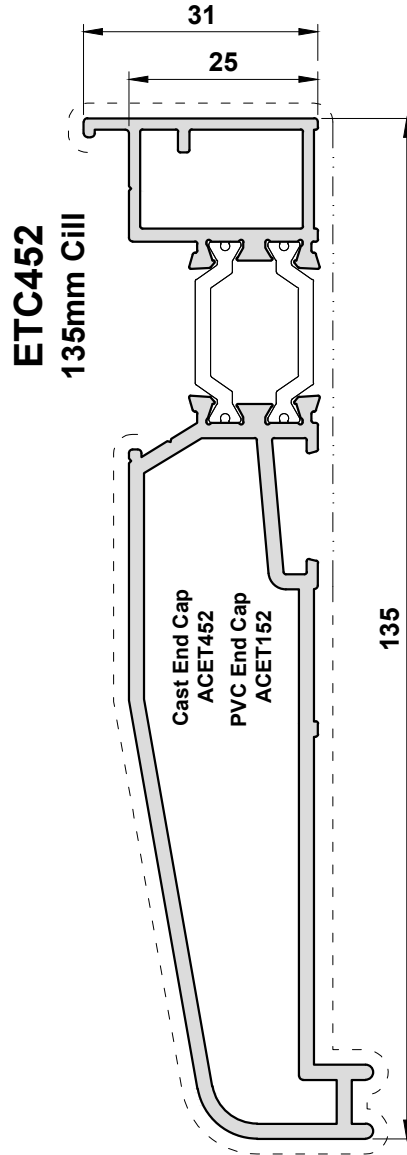
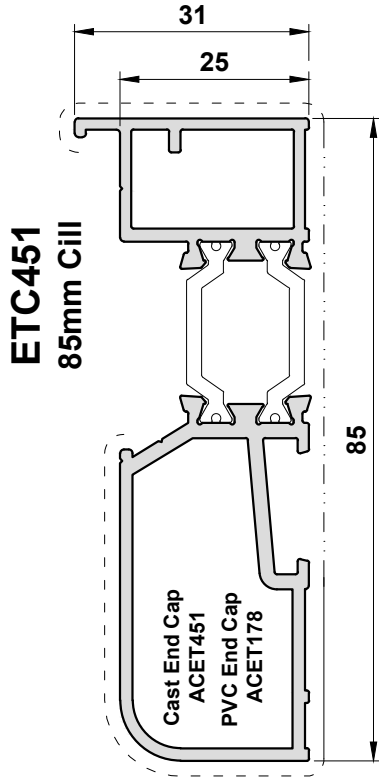


Primary Visible Side

Secondary Visible Side

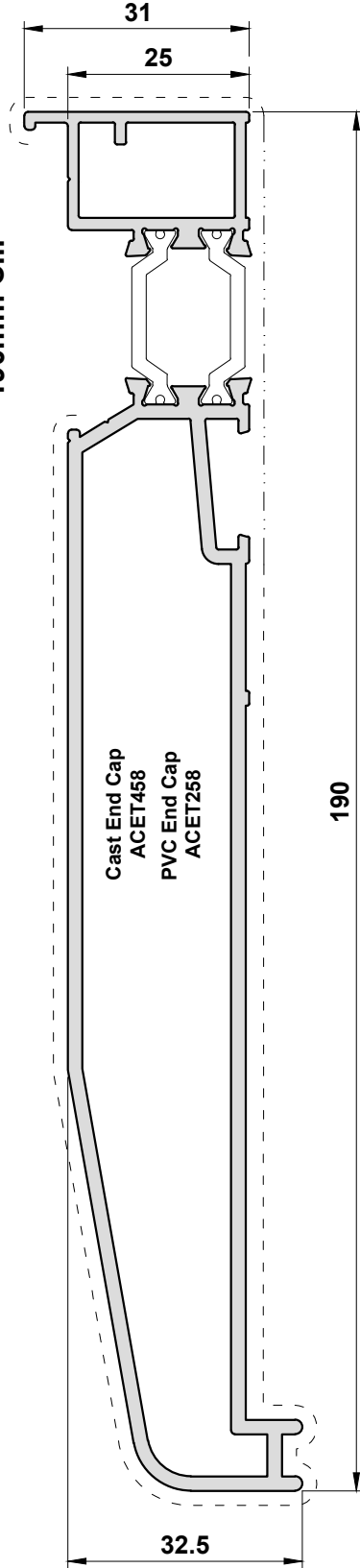


Scale 1:1

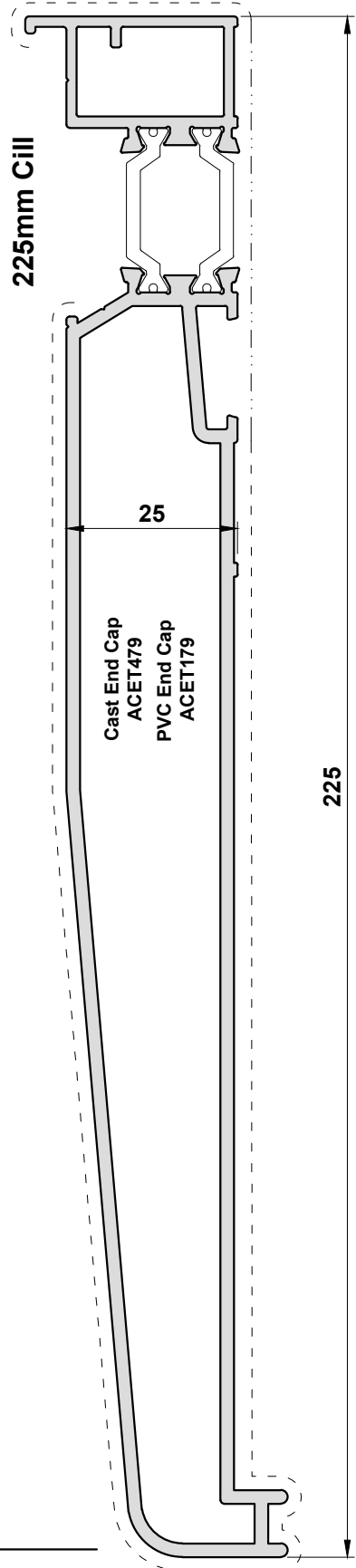
Primary Visible Side

Secondary Visible Side

**ETC458**  
190mm Cill

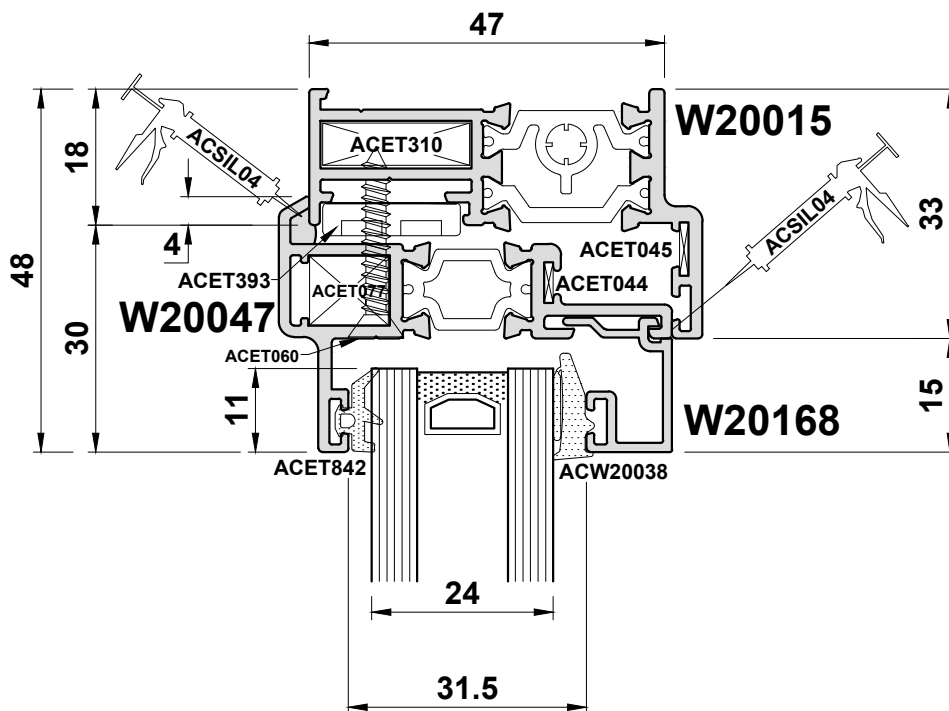
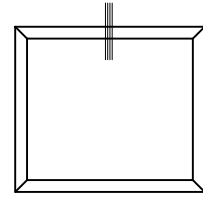


**ETC479**  
225mm Cill



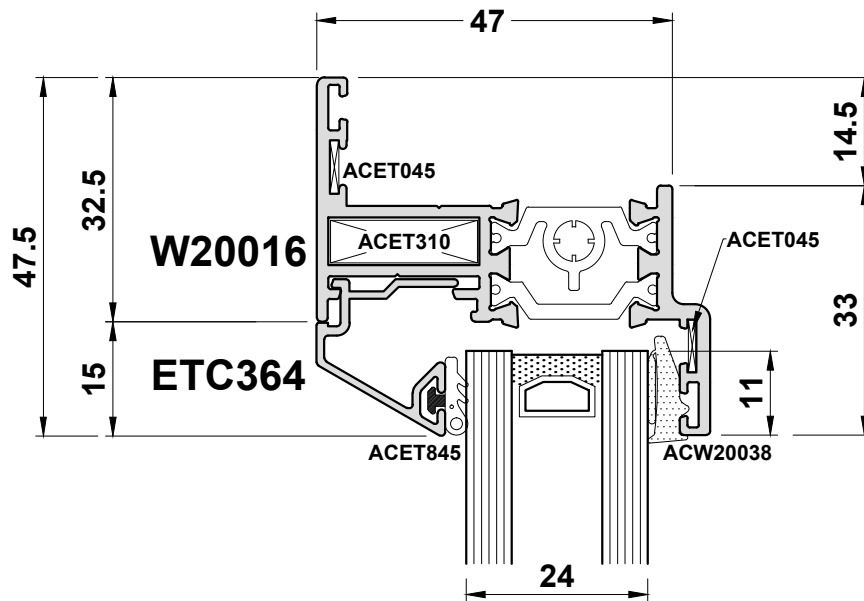
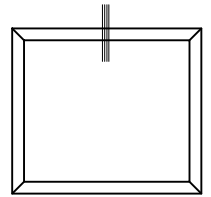
Scale 1:1

## Detail 1D



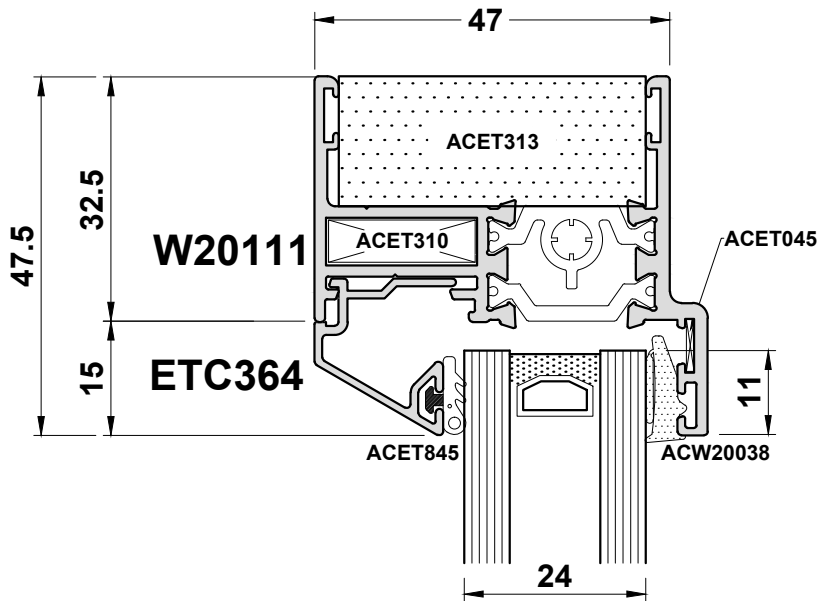
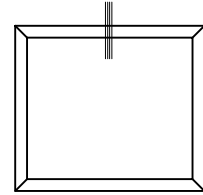
Do Not Scale From This Drawing

Detail 1E



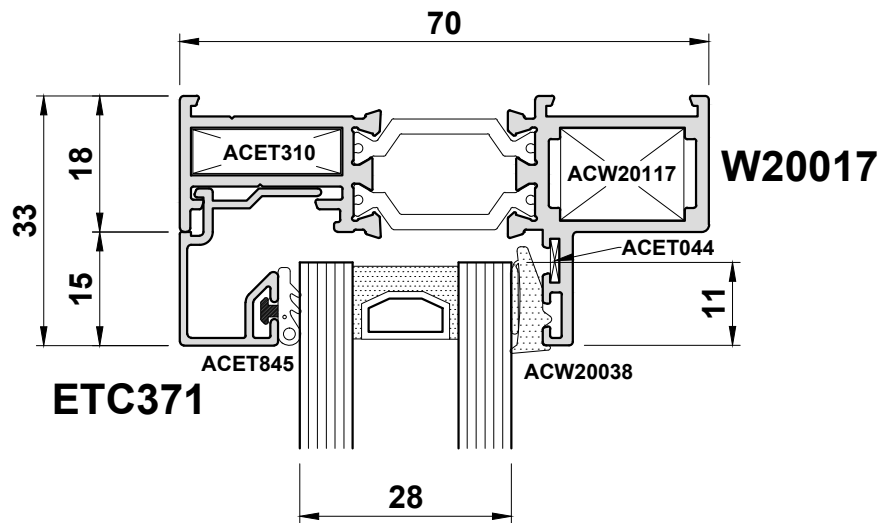
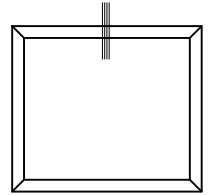
Do Not Scale From This Drawing

Detail 1F



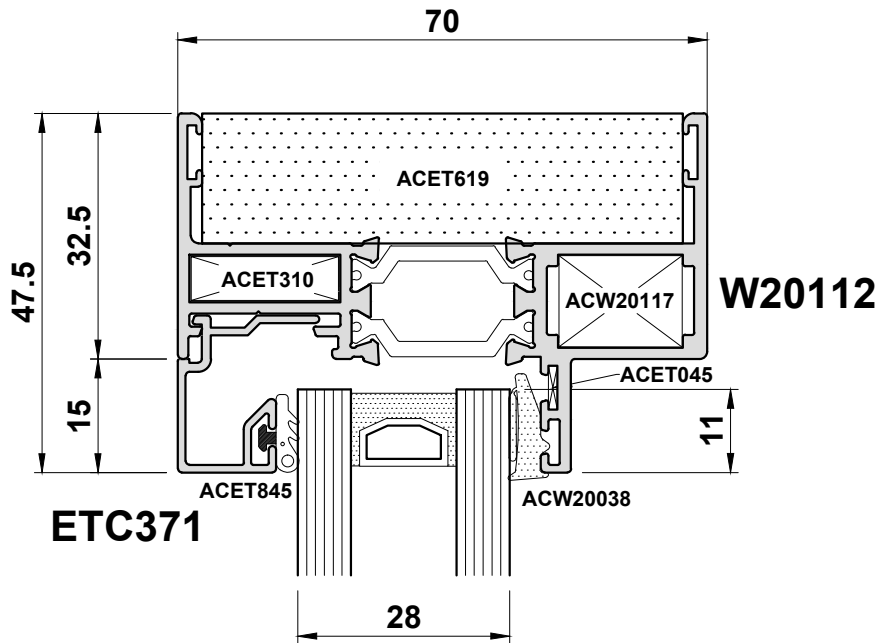
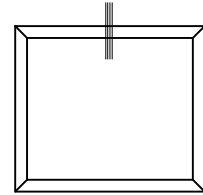
Do Not Scale From This Drawing

Detail 1G



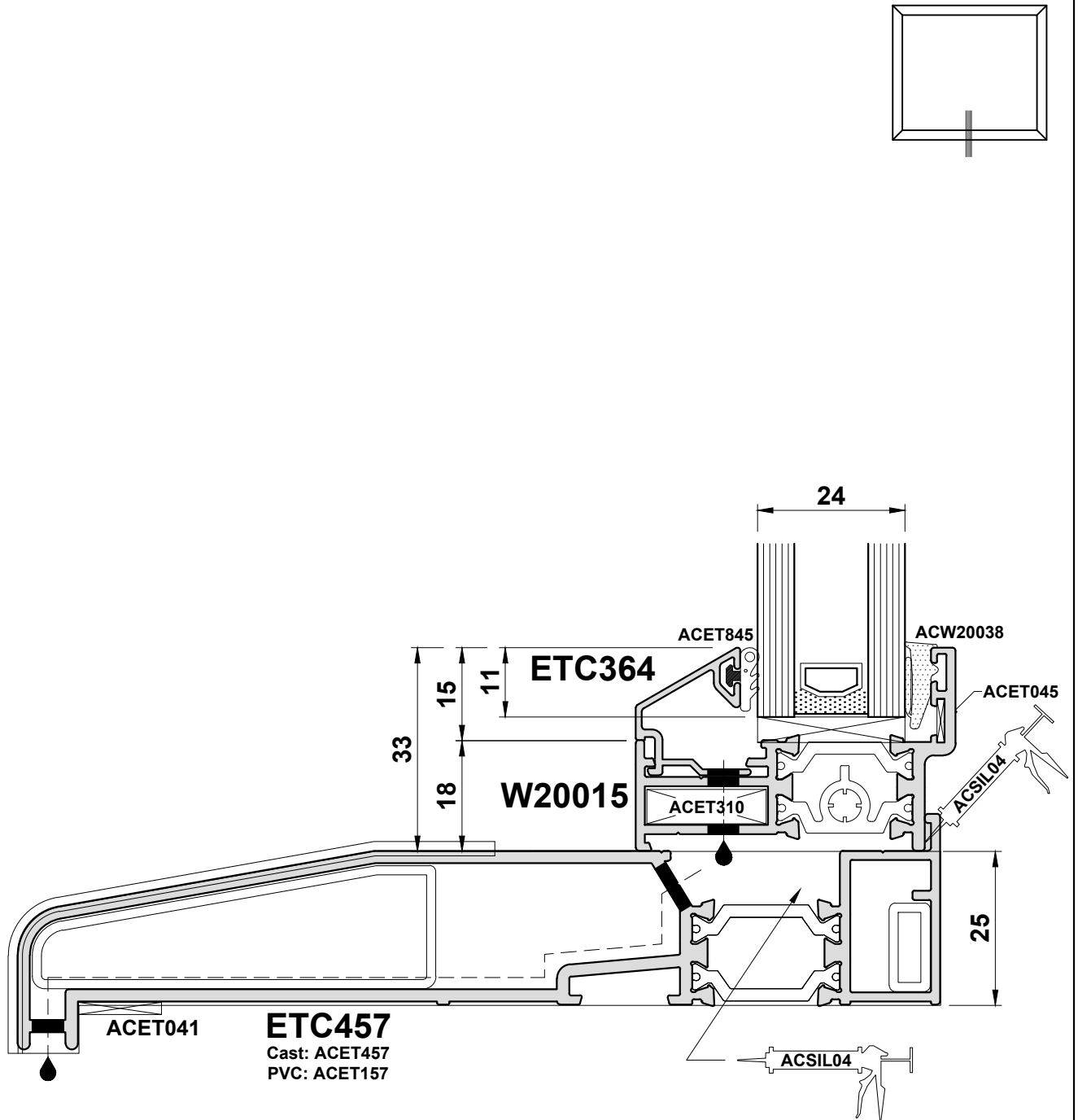
Do Not Scale From This Drawing

Detail 1H



Do Not Scale From This Drawing

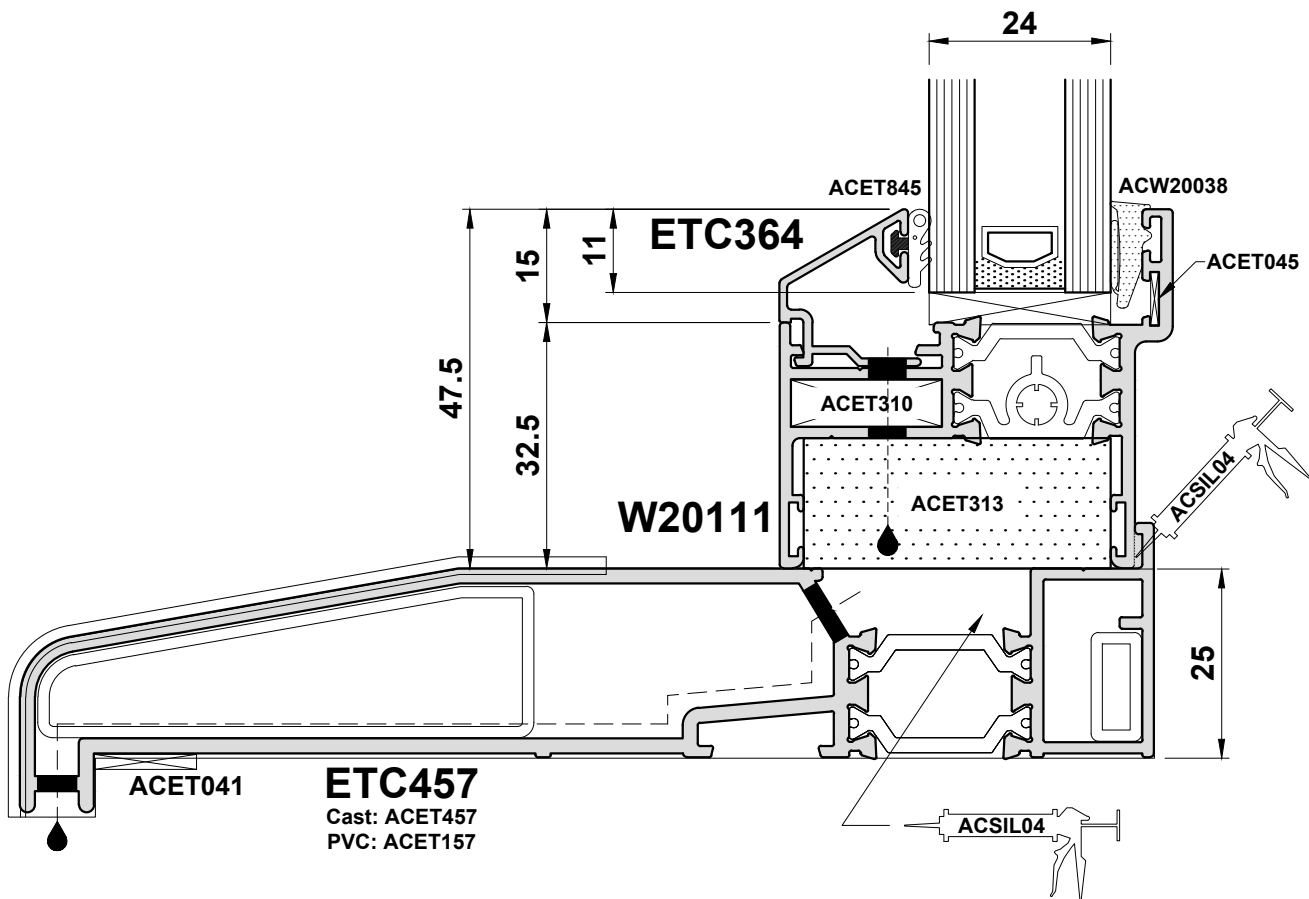
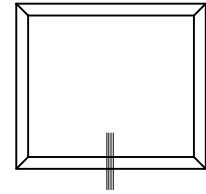
Detail 2A



Do Not Scale From This Drawing

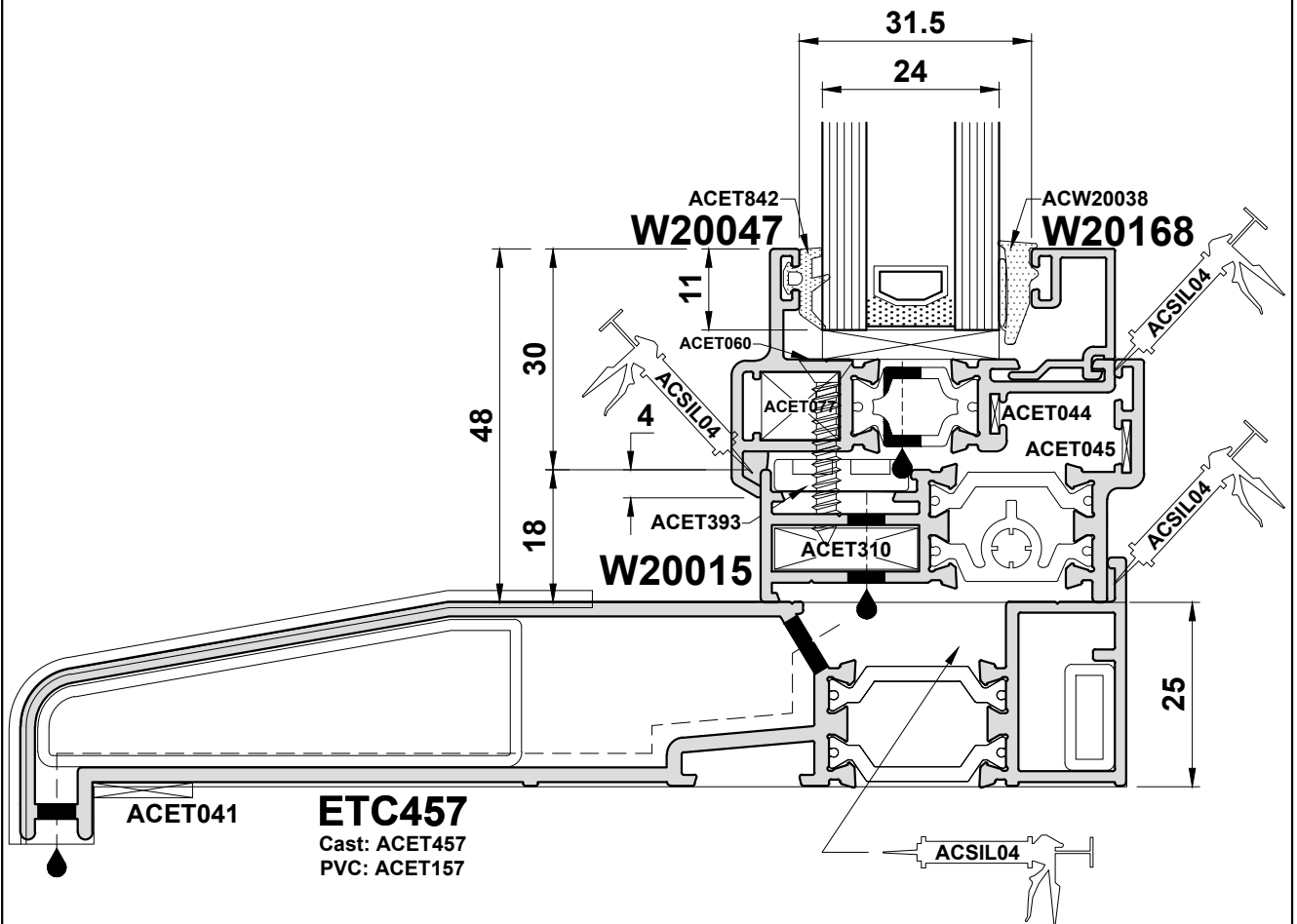
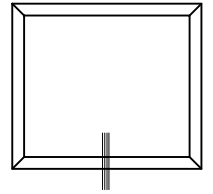


Detail 2B



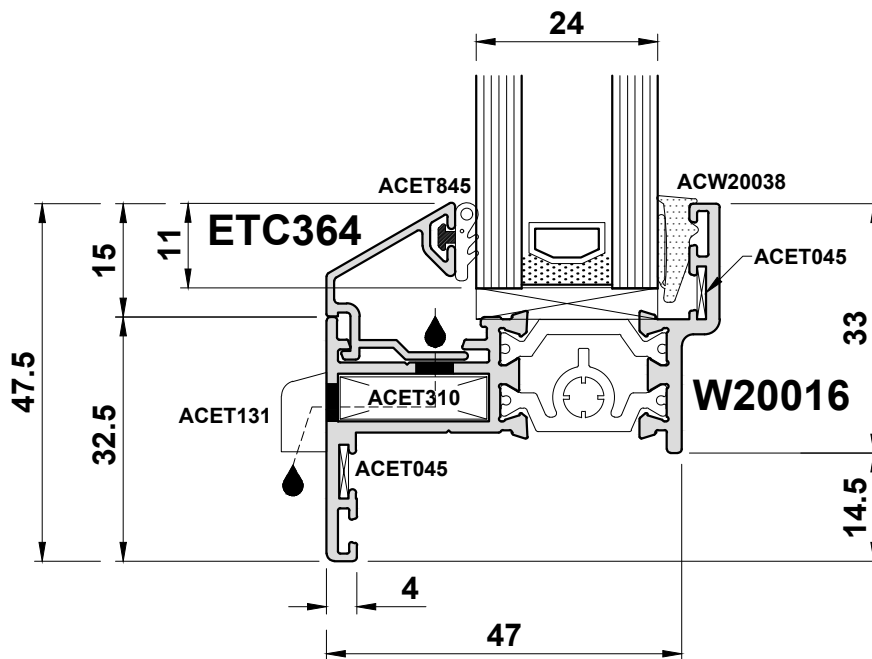
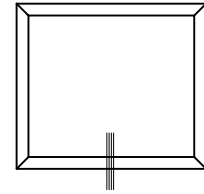
Do Not Scale From This Drawing

Detail 2C



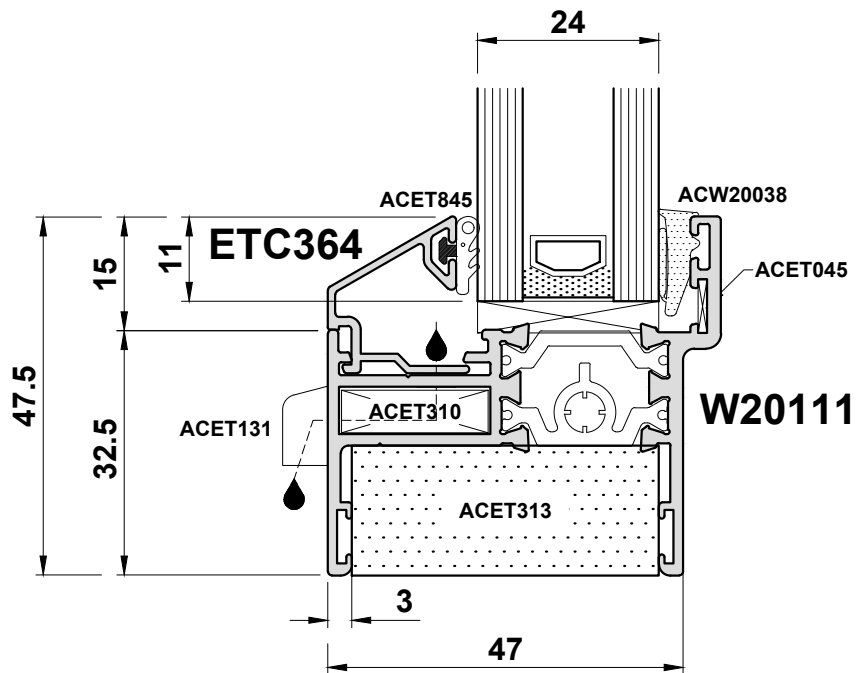
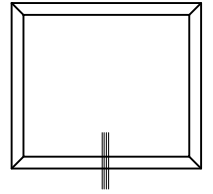
Do Not Scale From This Drawing

Detail 2D



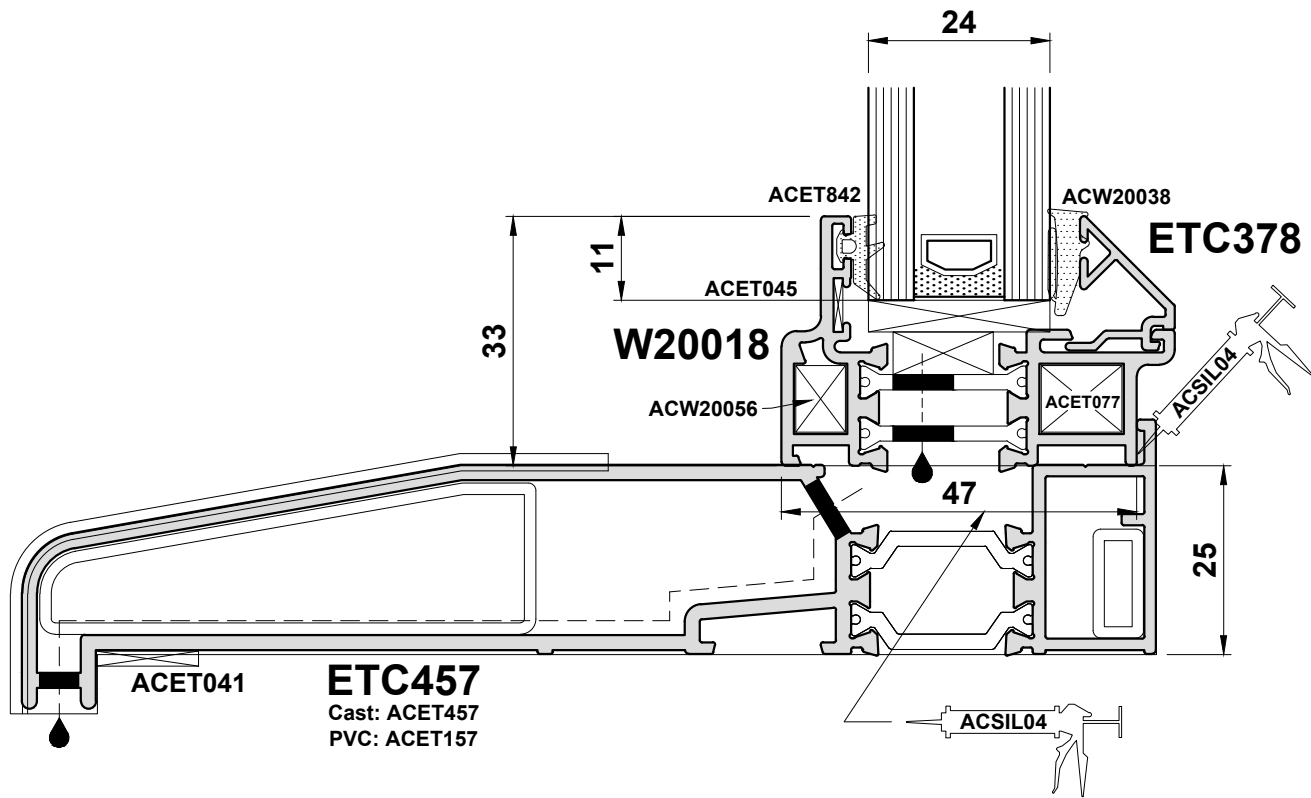
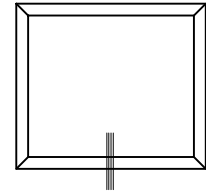
Do Not Scale From This Drawing

Detail 2E



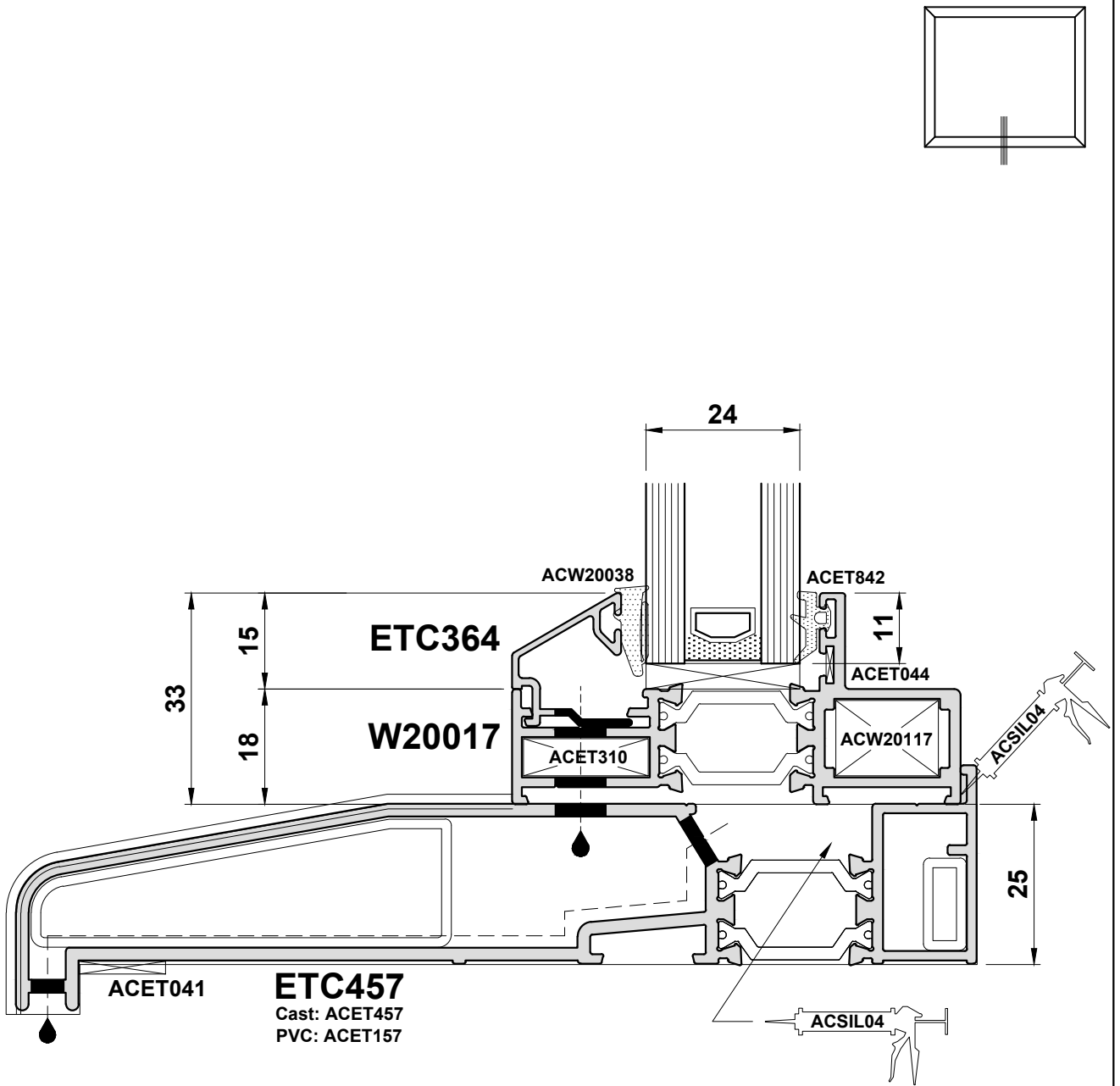
Do Not Scale From This Drawing

Detail 2F



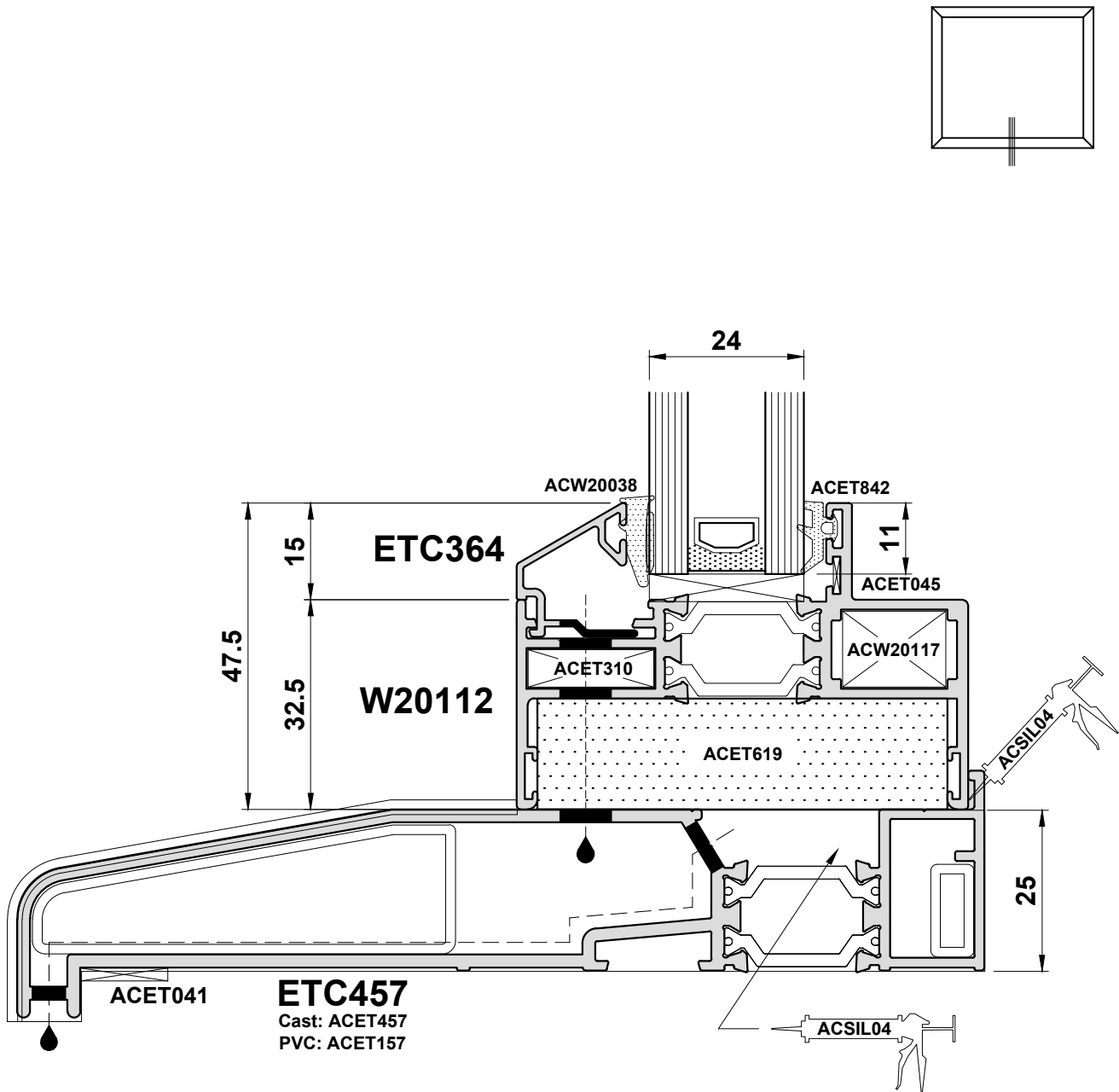
Do Not Scale From This Drawing

Detail 2G



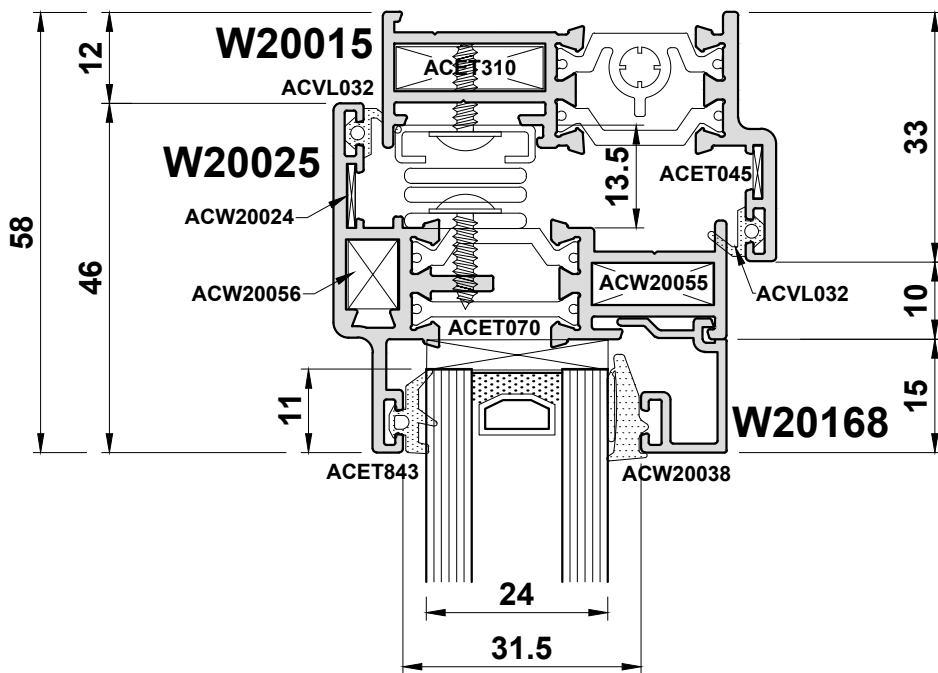
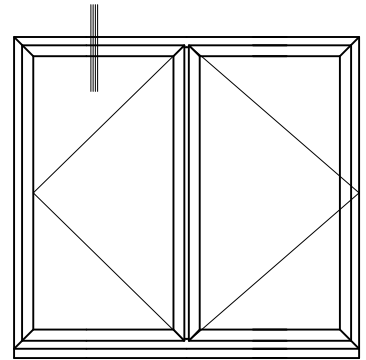
Do Not Scale From This Drawing

Detail 2H



Do Not Scale From This Drawing

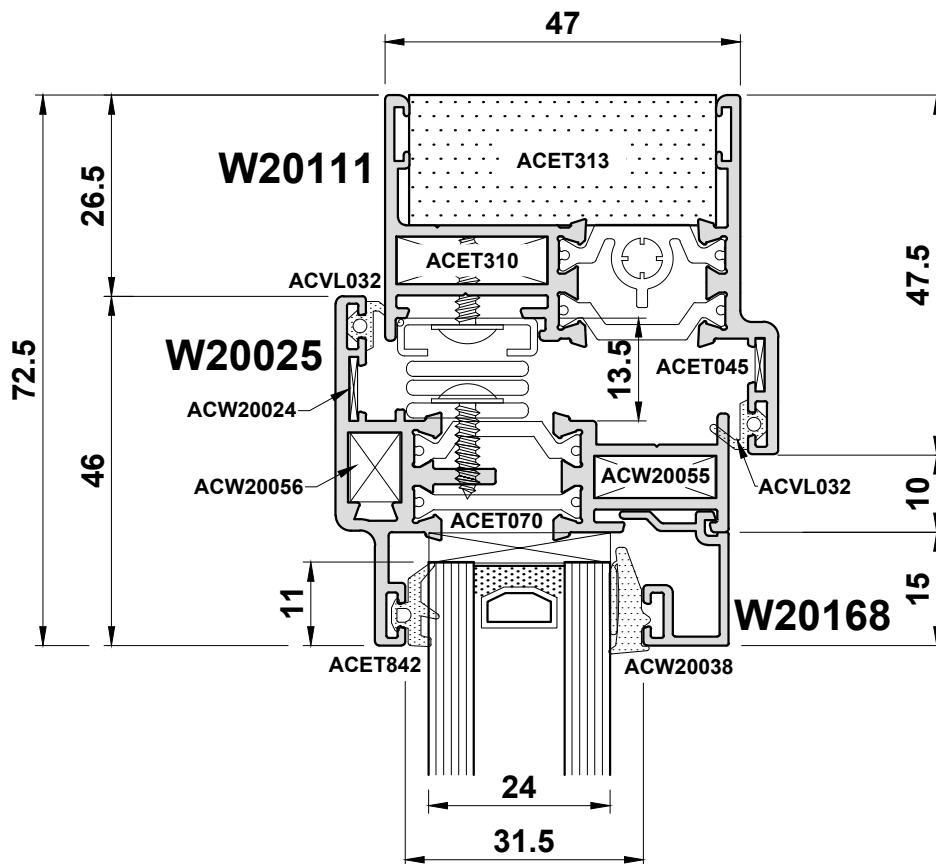
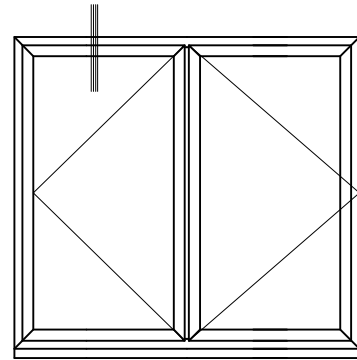
Detail 3A



Do Not Scale From This Drawing

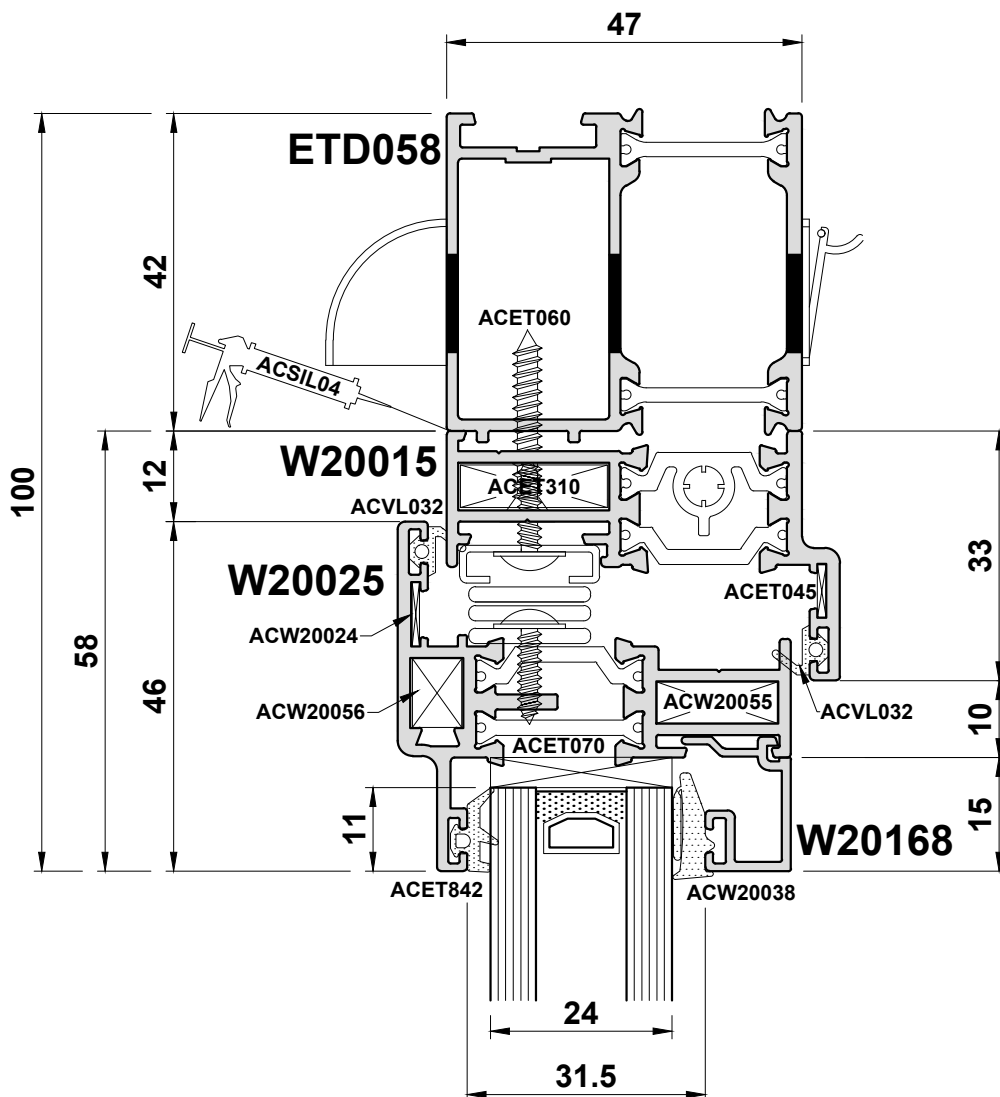
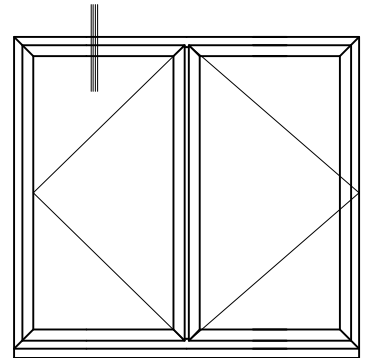


**Detail 3B**



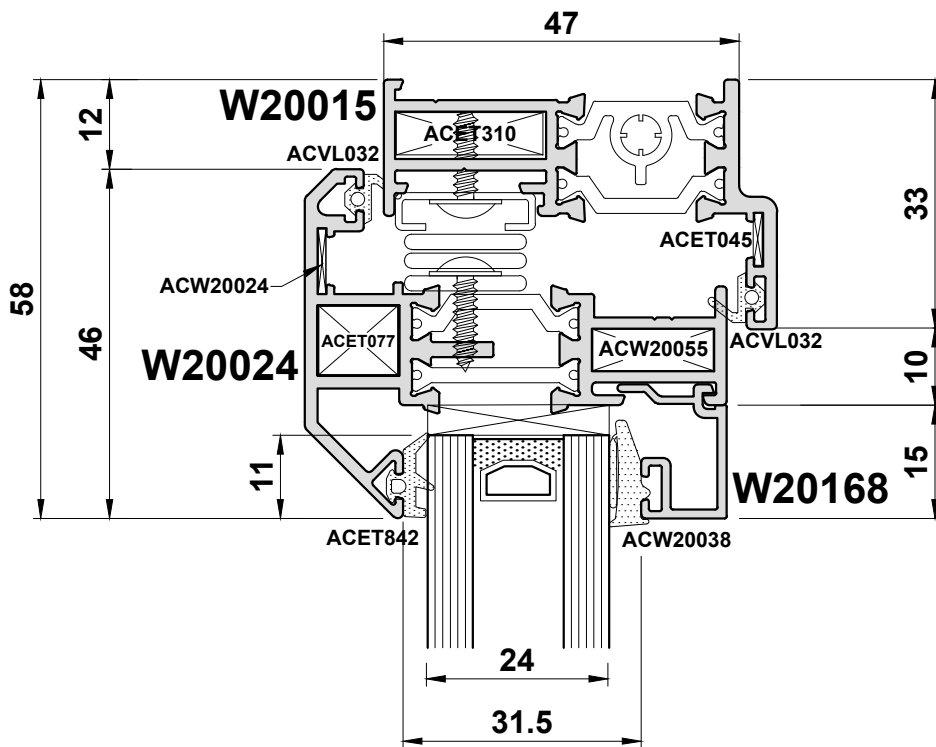
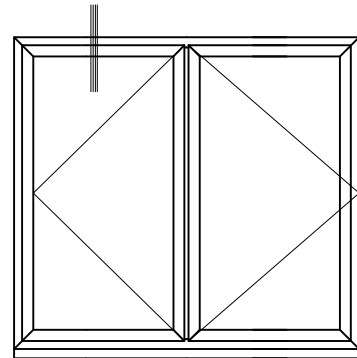
**Do Not Scale From This Drawing**

Detail 3C



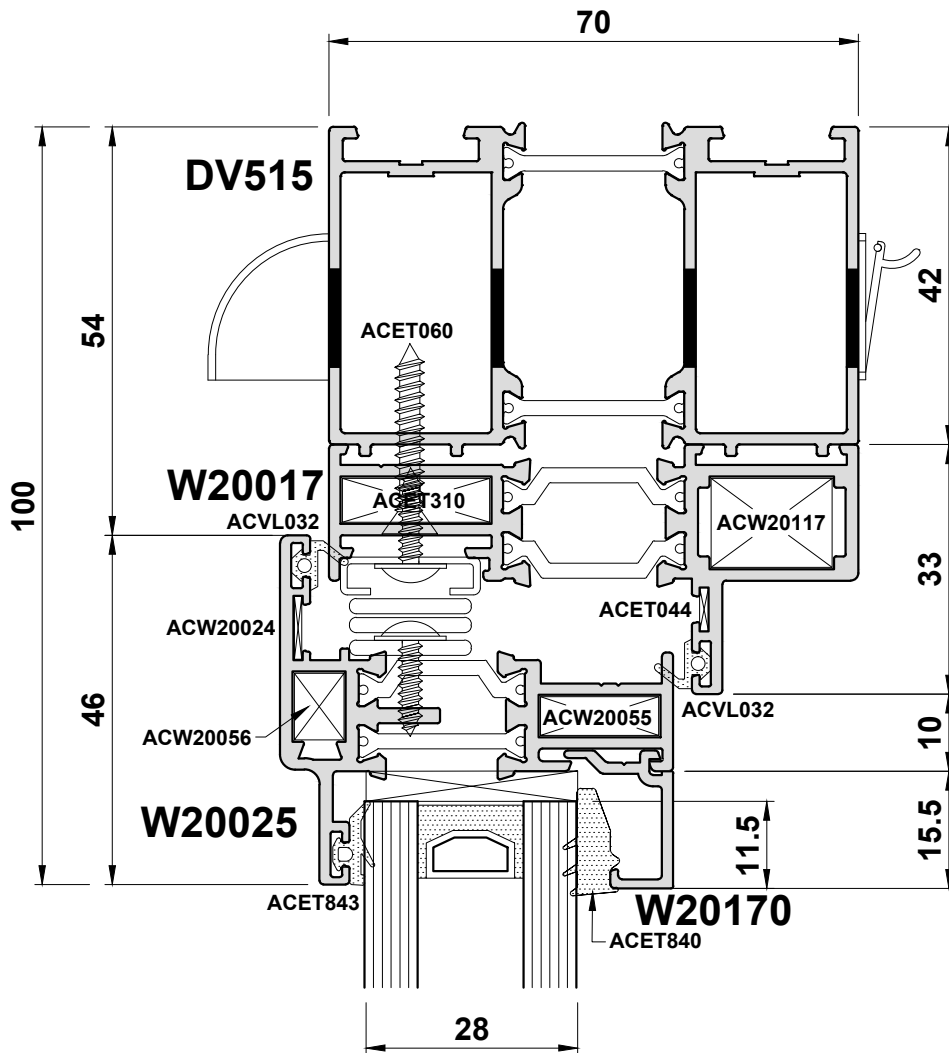
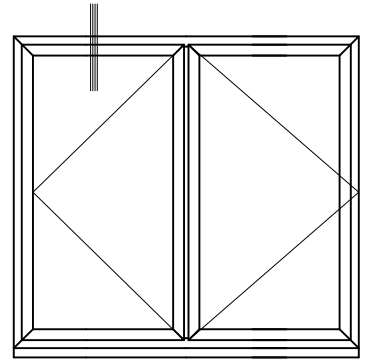
Do Not Scale From This Drawing

**Detail 3D**



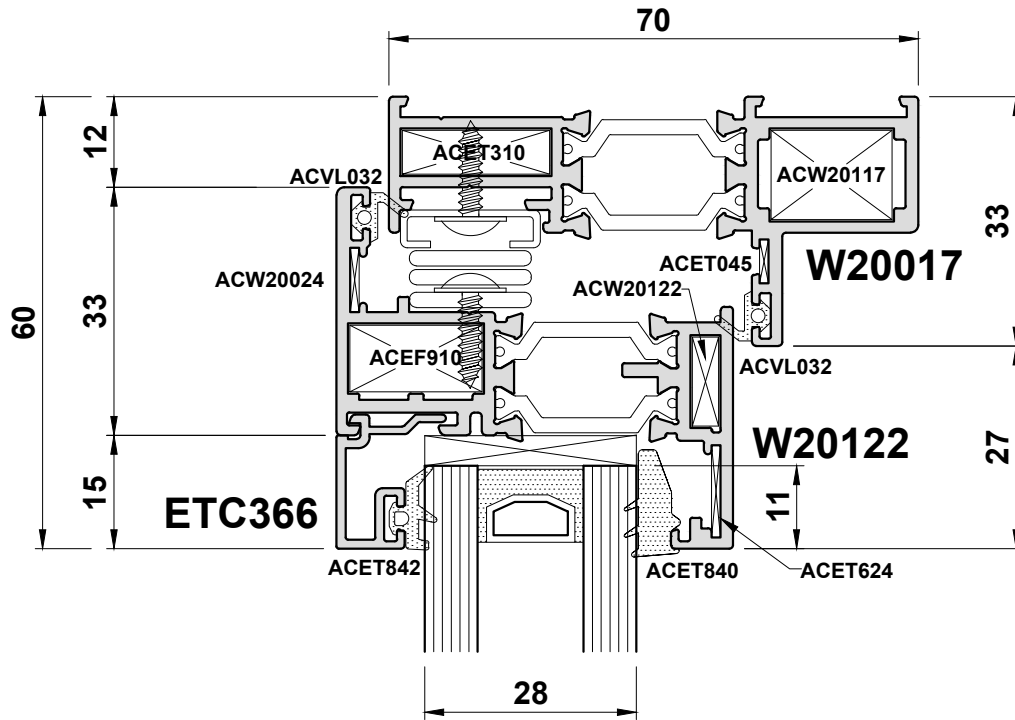
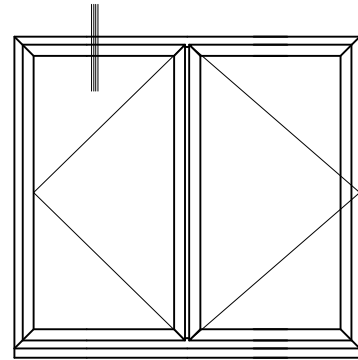
**Do Not Scale From This Drawing**

Detail 3E



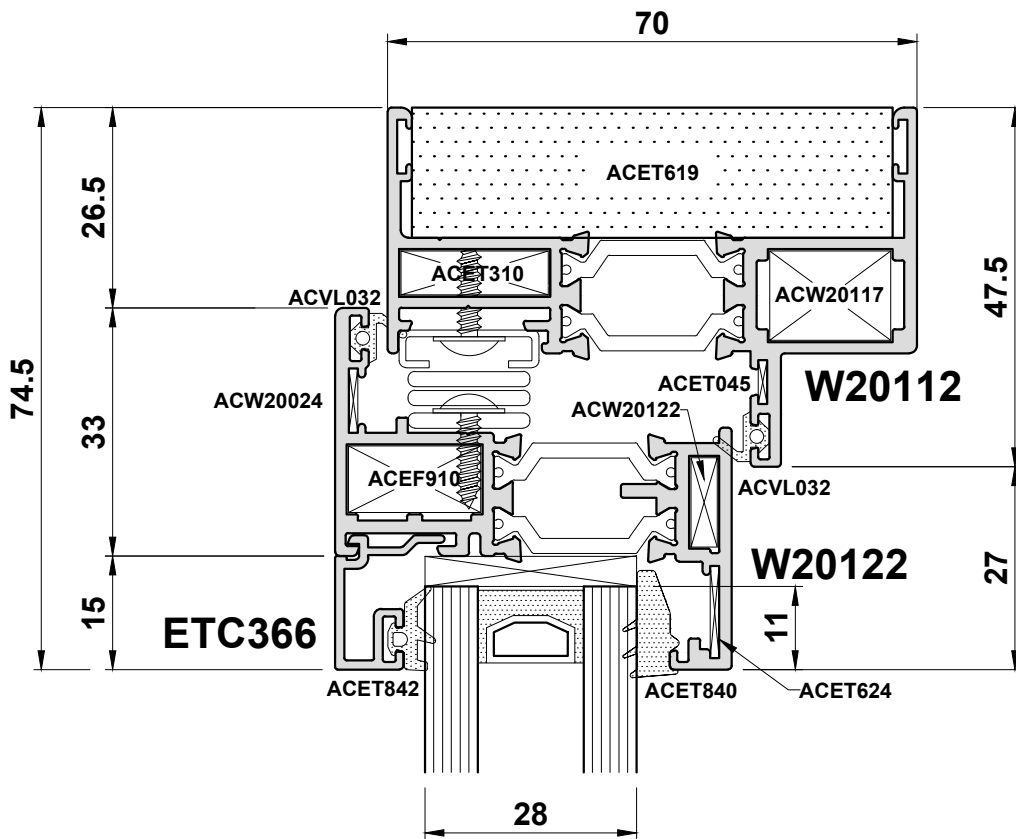
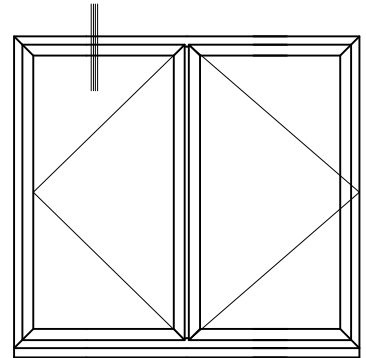
Do Not Scale From This Drawing

**Detail 3F**



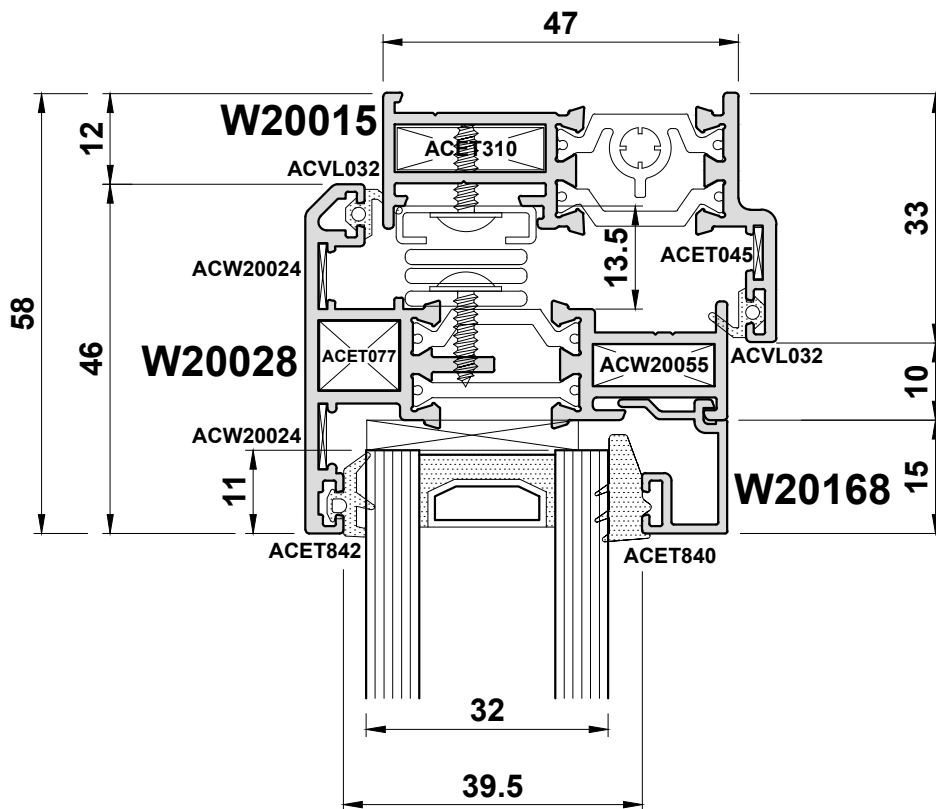
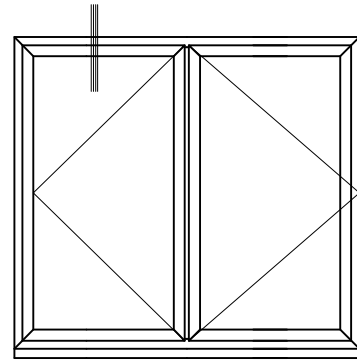
**Do Not Scale From This Drawing**

Detail 3G



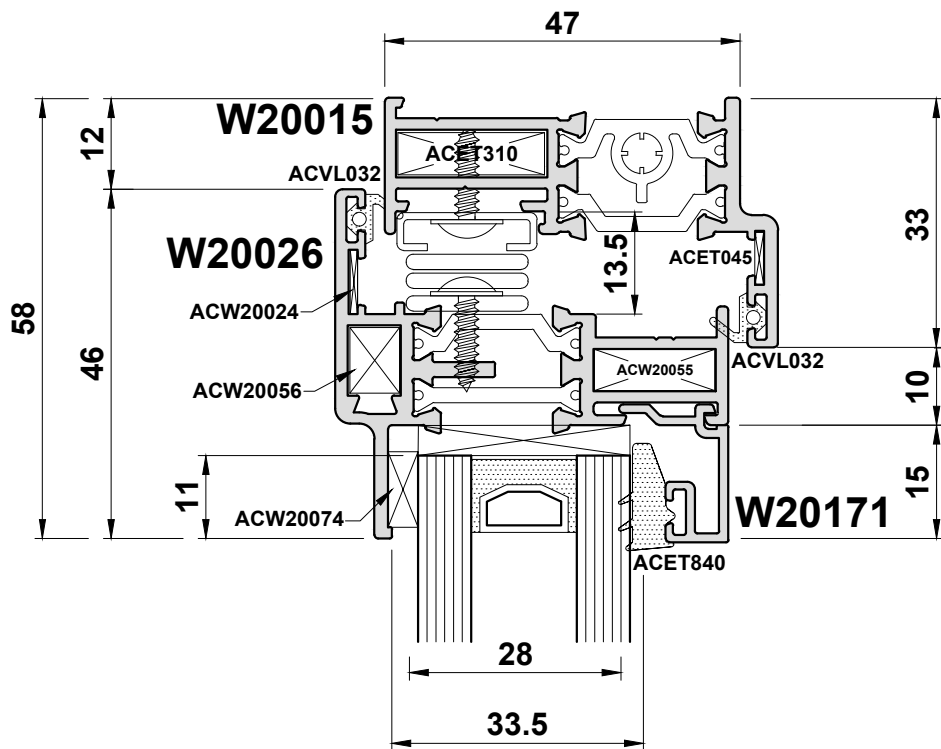
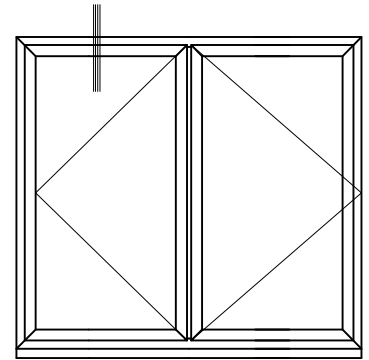
Do Not Scale From This Drawing

**Detail 3H**



**Do Not Scale From This Drawing**

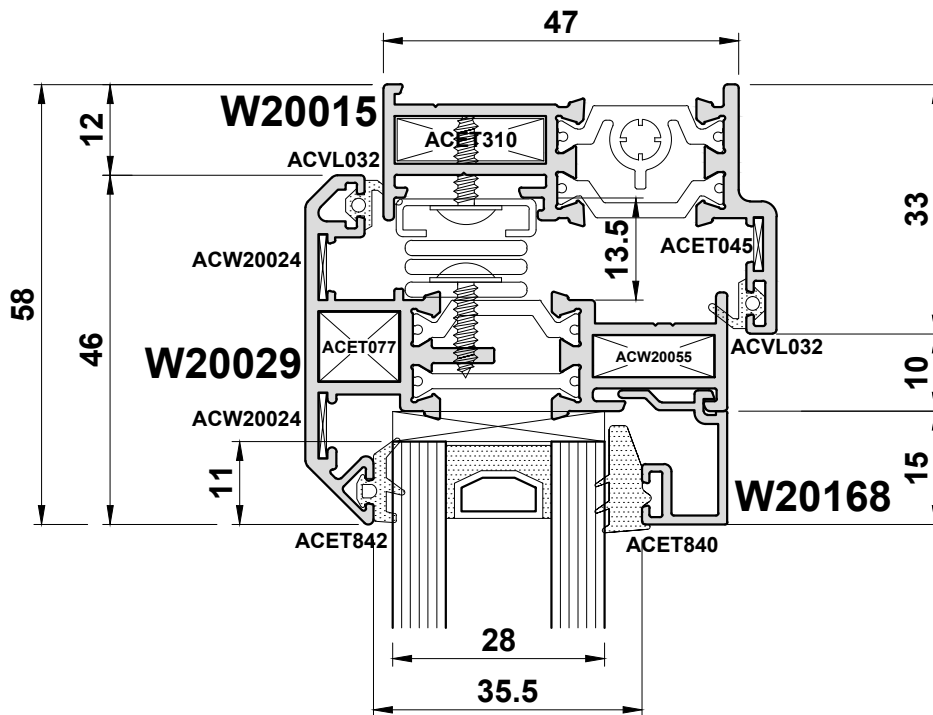
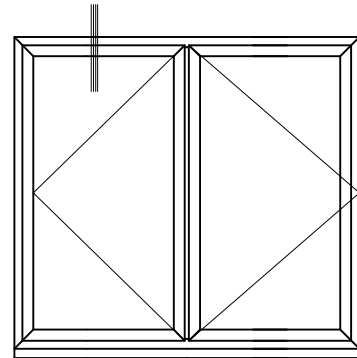
**Detail 3I**



**Do Not Scale From This Drawing**

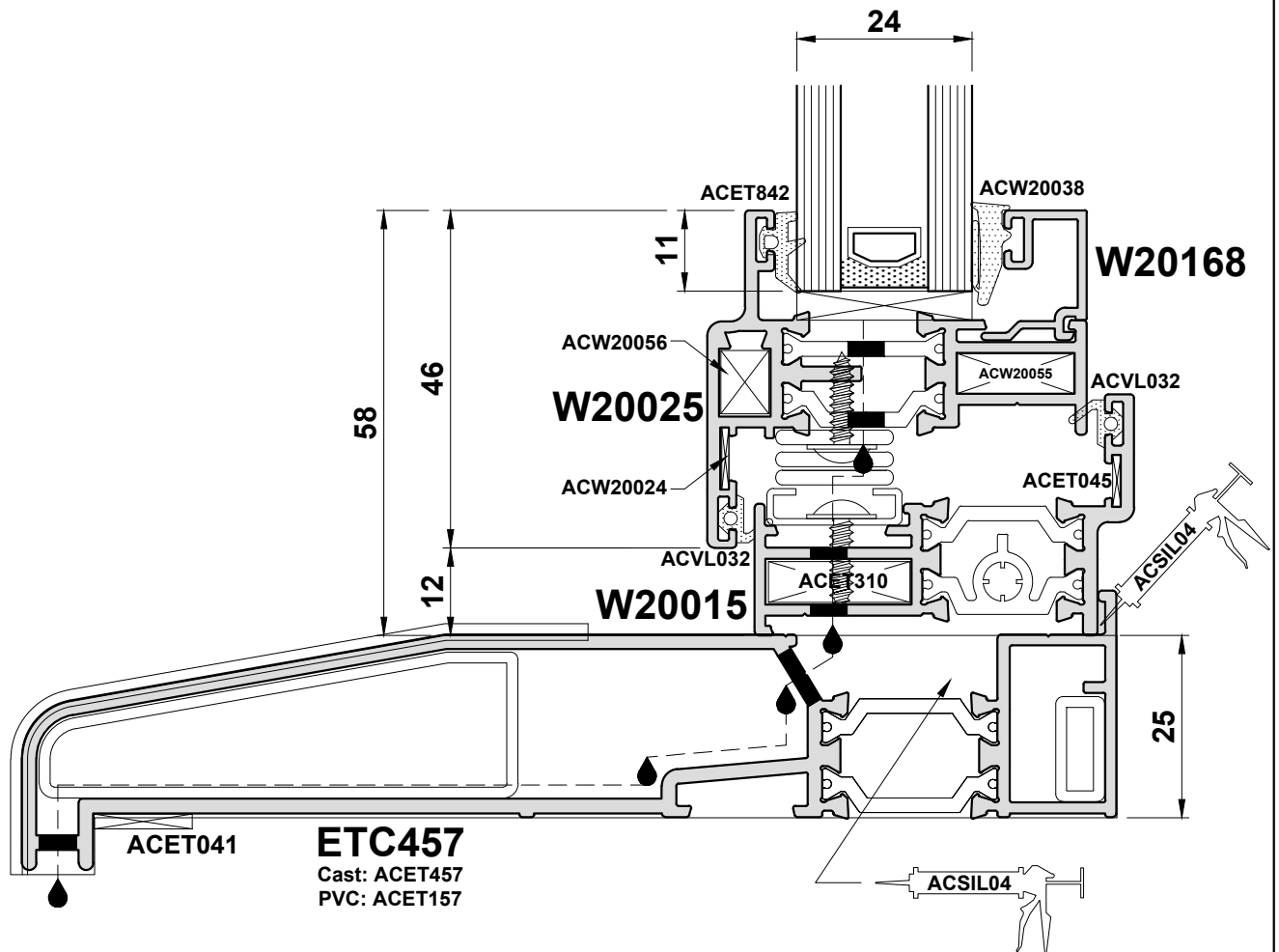
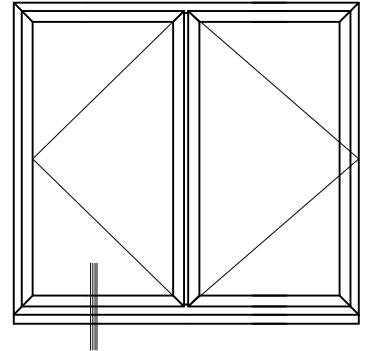


**Detail 3J**



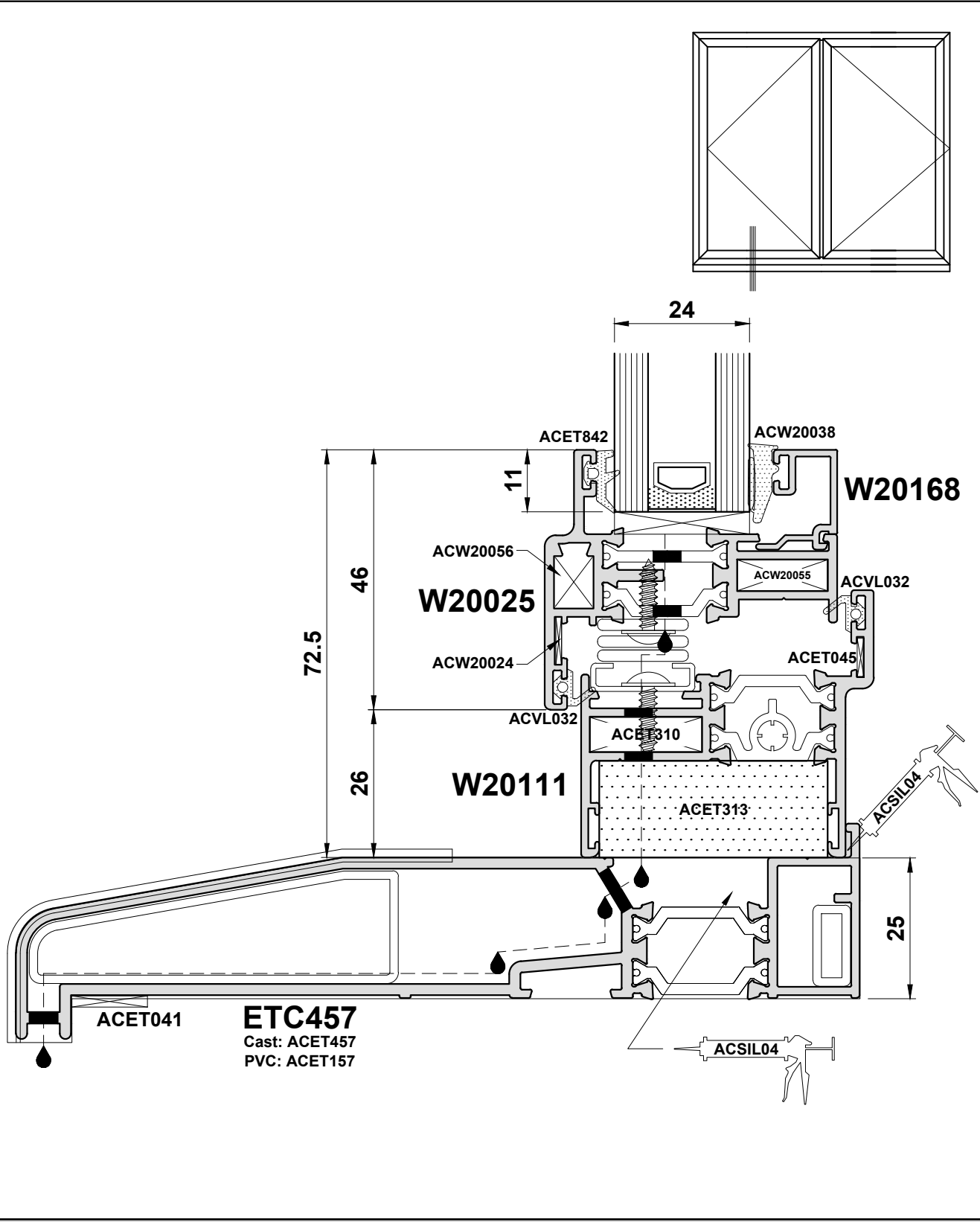
**Do Not Scale From This Drawing**

Detail 4A



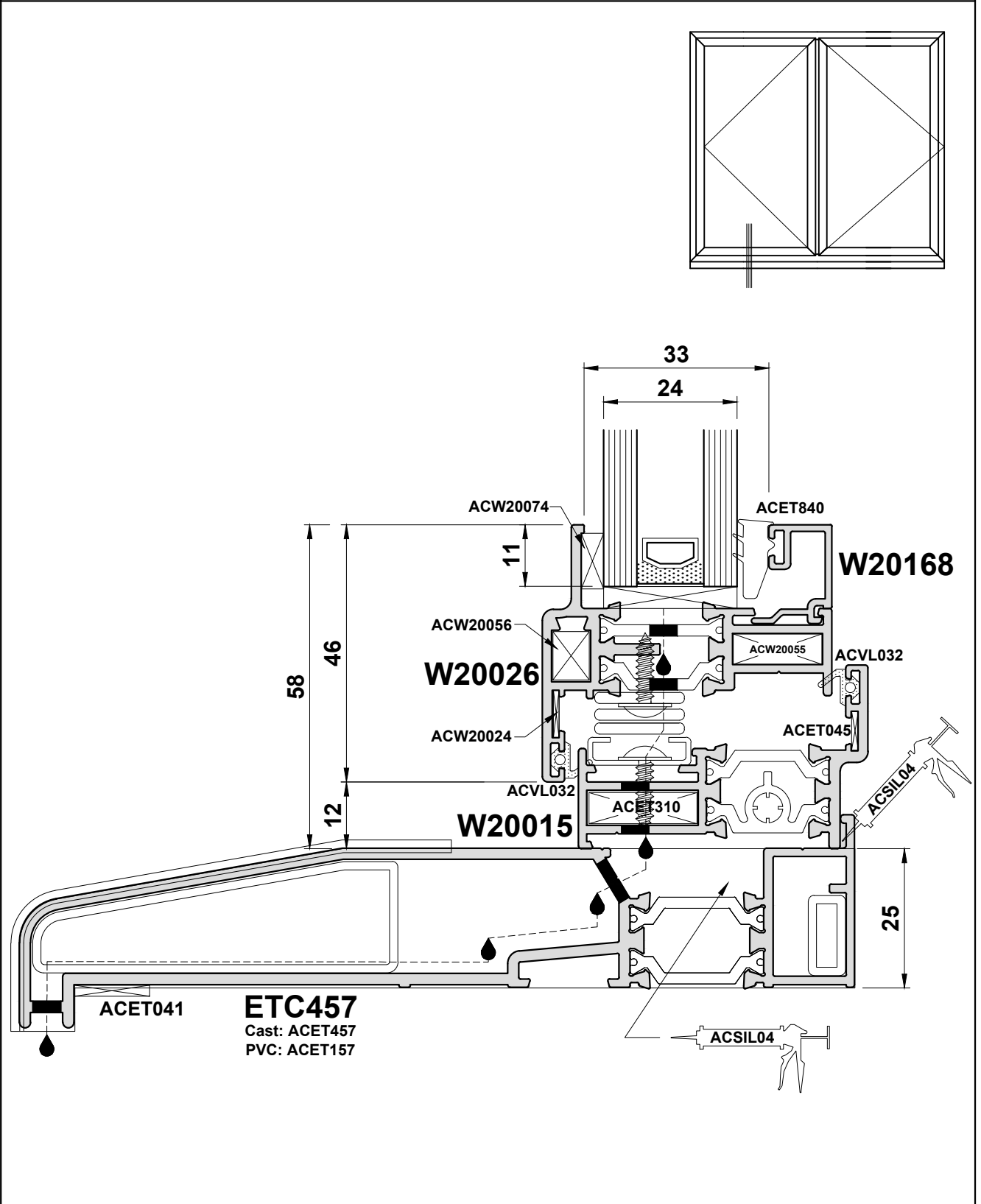
Do Not Scale From This Drawing

Detail 4B



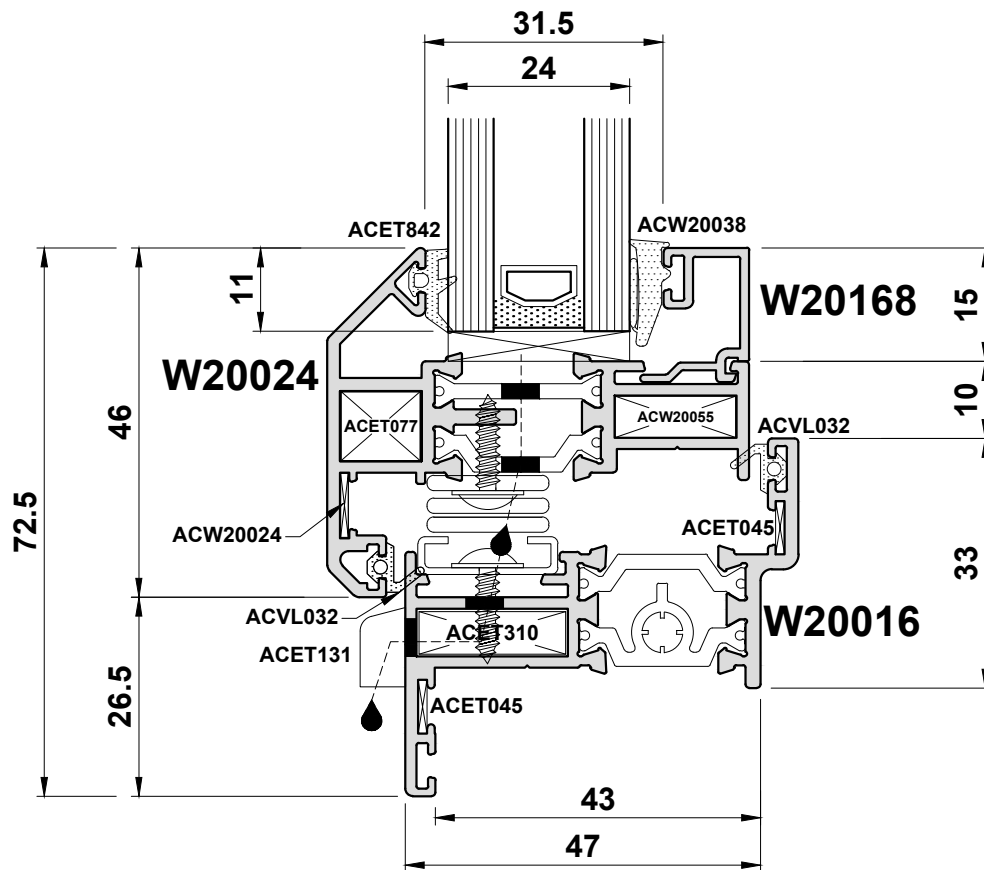
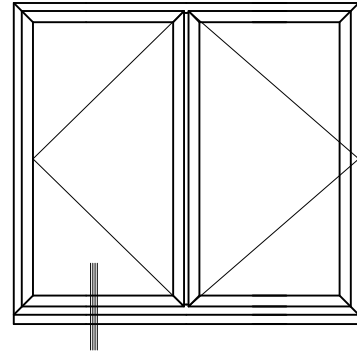
Do Not Scale From This Drawing

Detail 4C



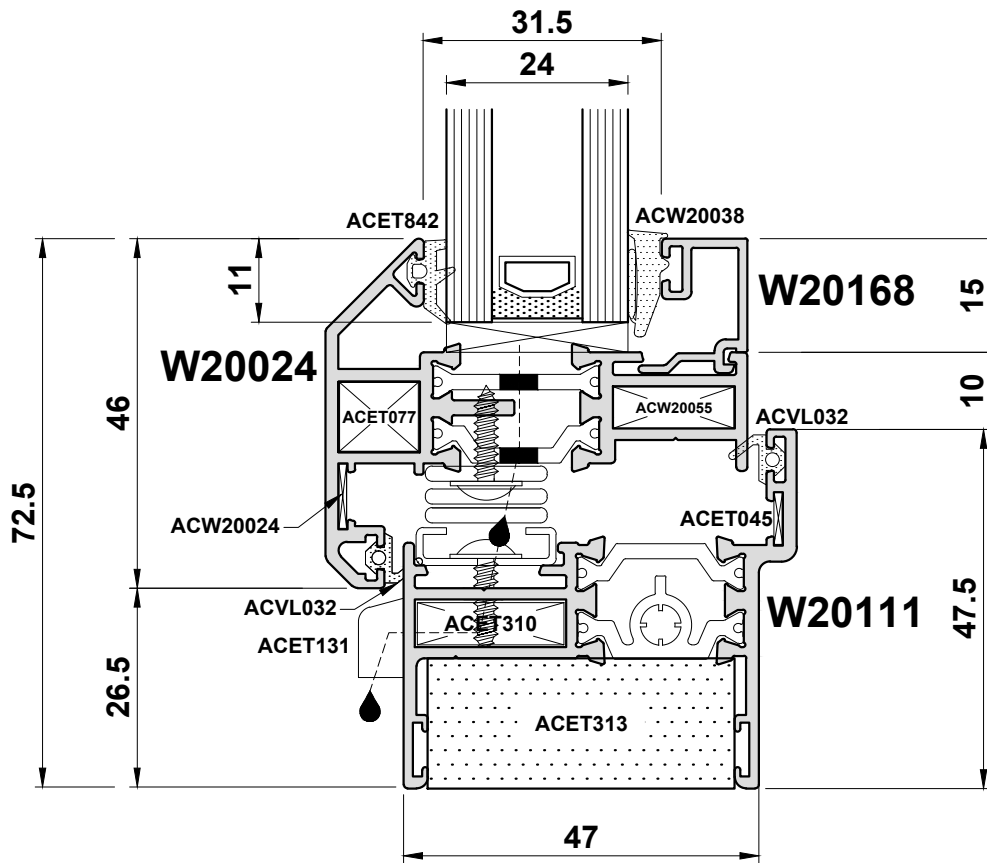
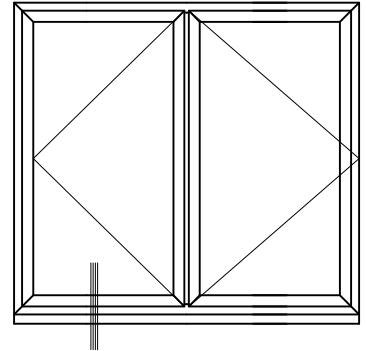
Do Not Scale From This Drawing

**Detail 4D**



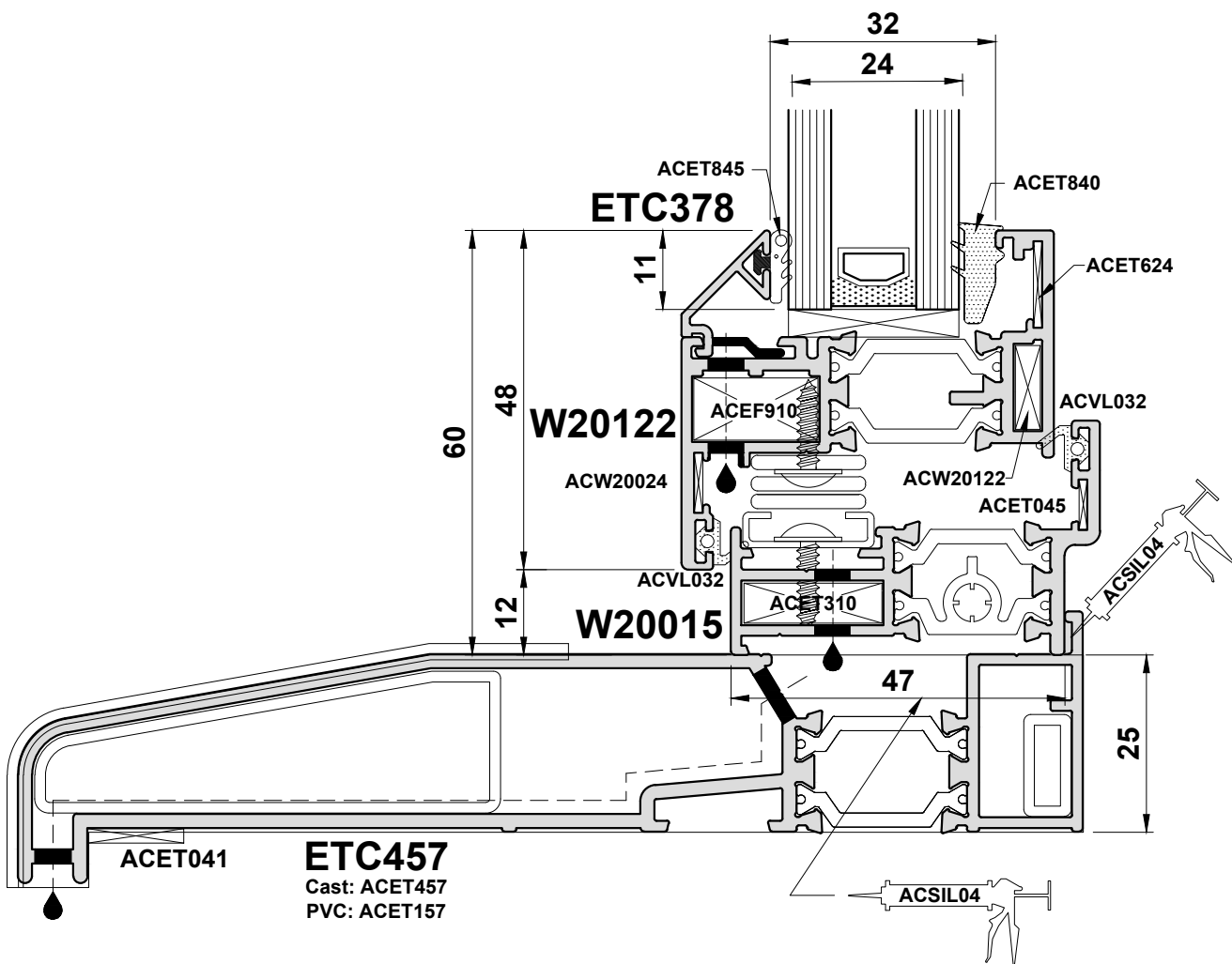
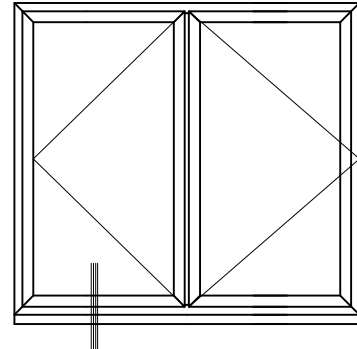
**Do Not Scale From This Drawing**

**Detail 4E**



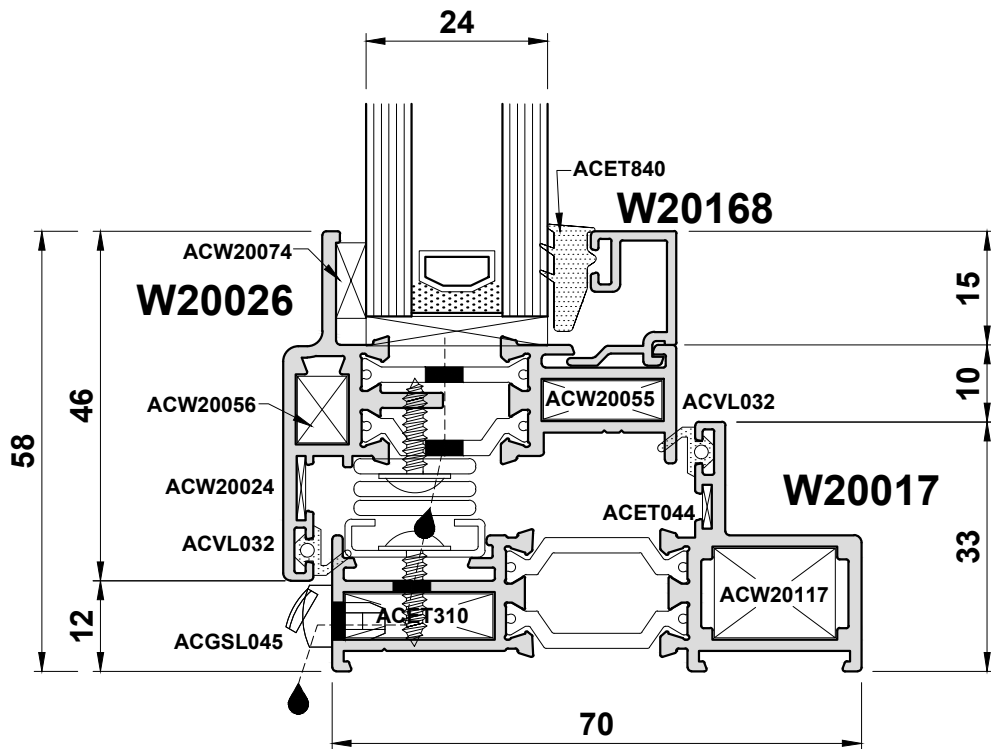
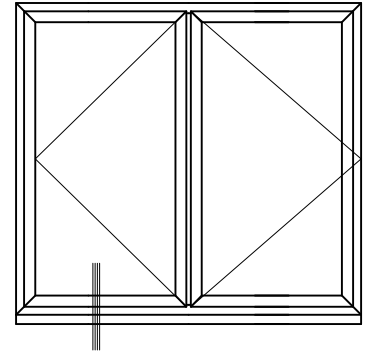
**Do Not Scale From This Drawing**

**Detail 4F**



**Do Not Scale From This Drawing**

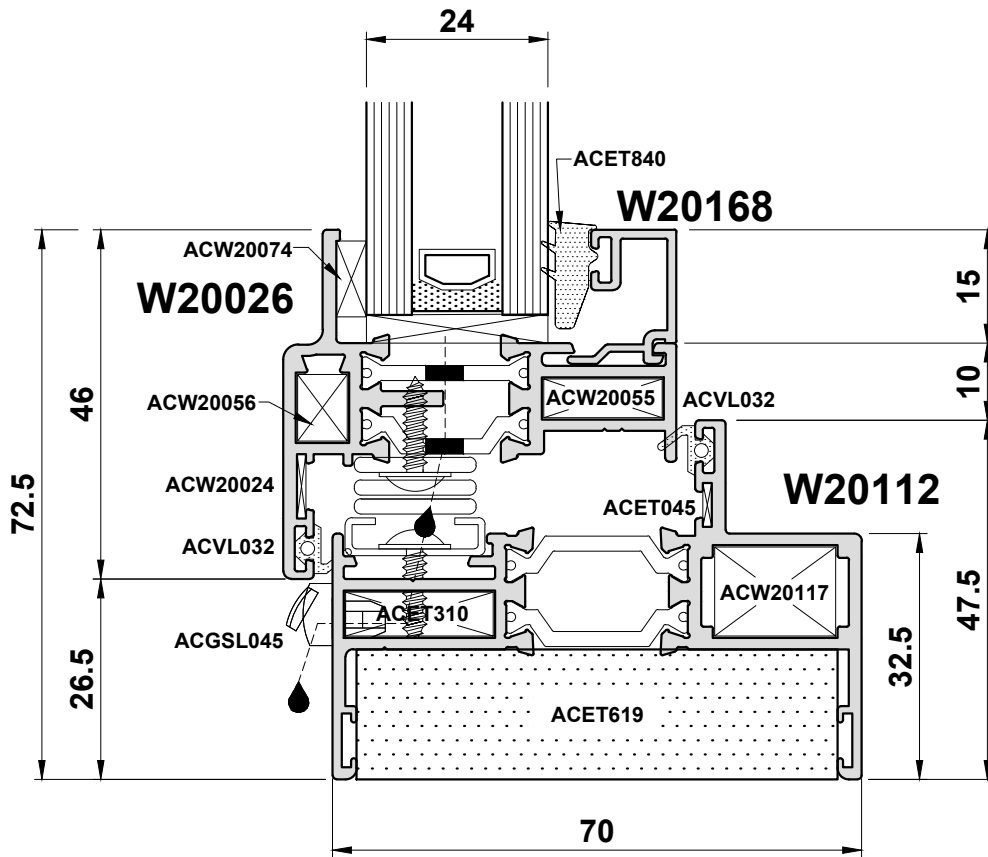
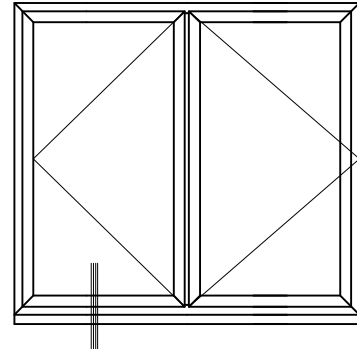
**Detail 4G**



**Do Not Scale From This Drawing**

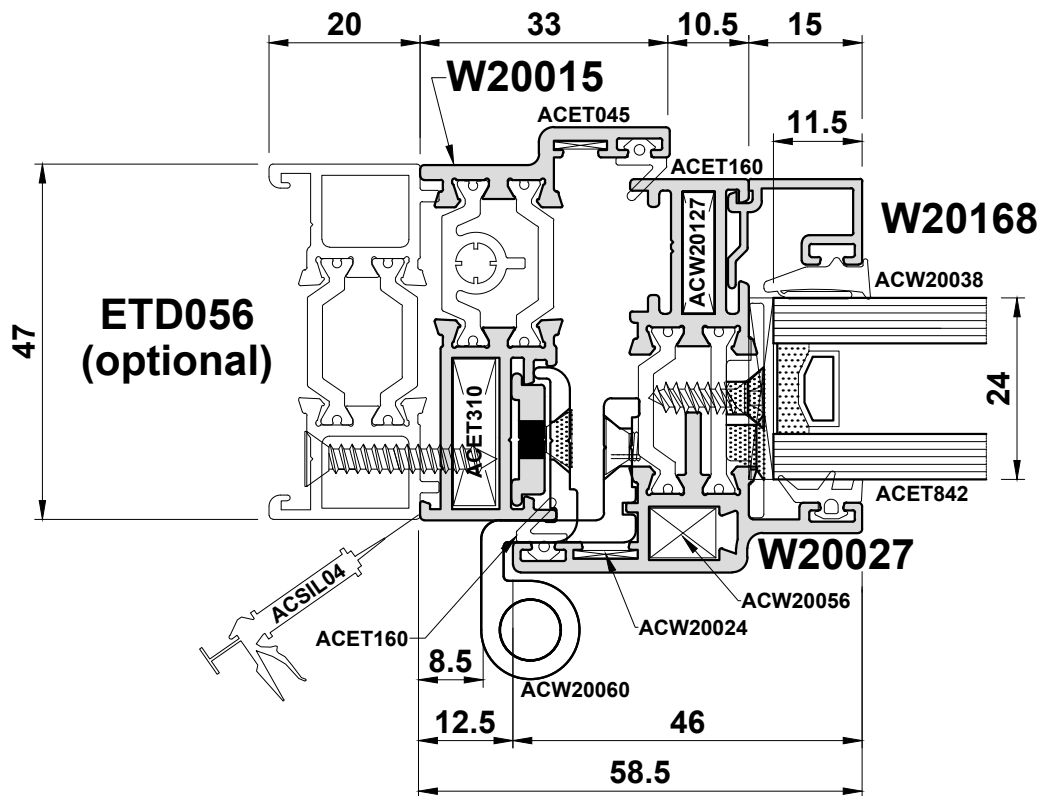
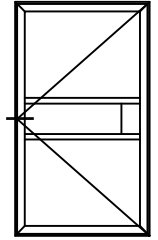


**Detail 4H**



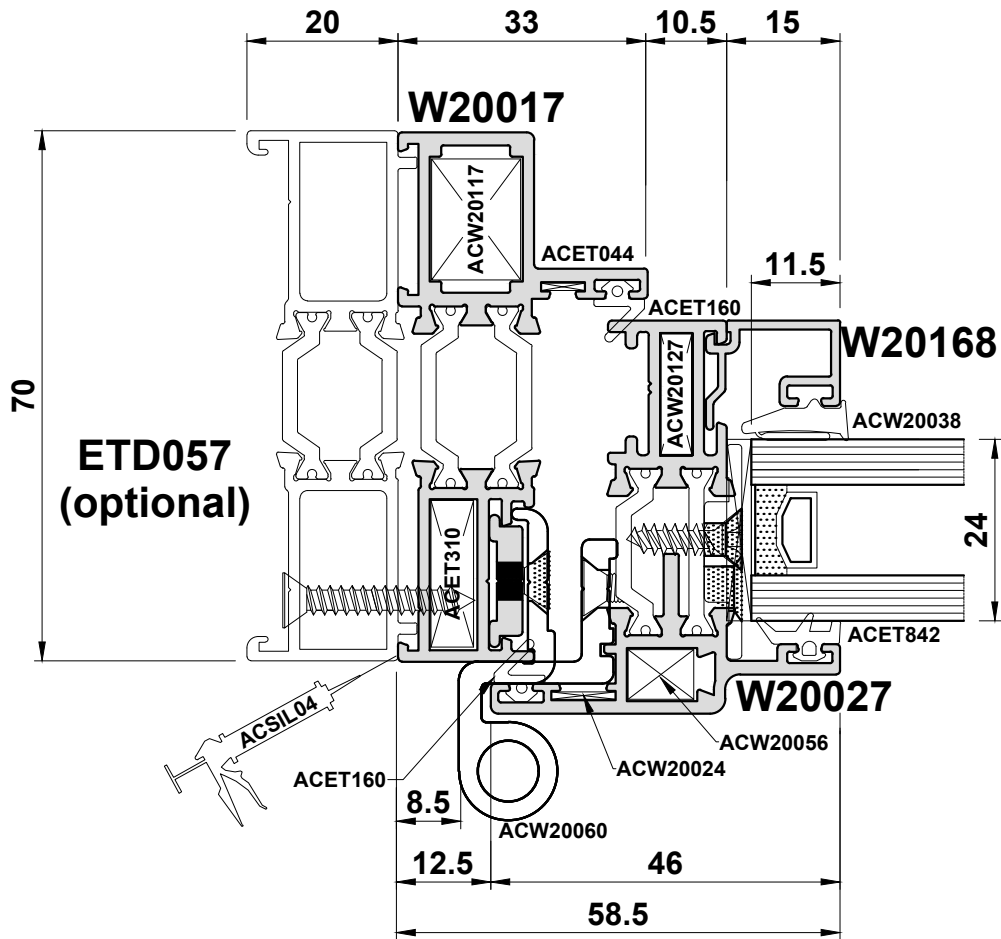
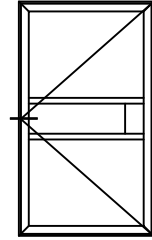
**Do Not Scale From This Drawing**

Detail 24A



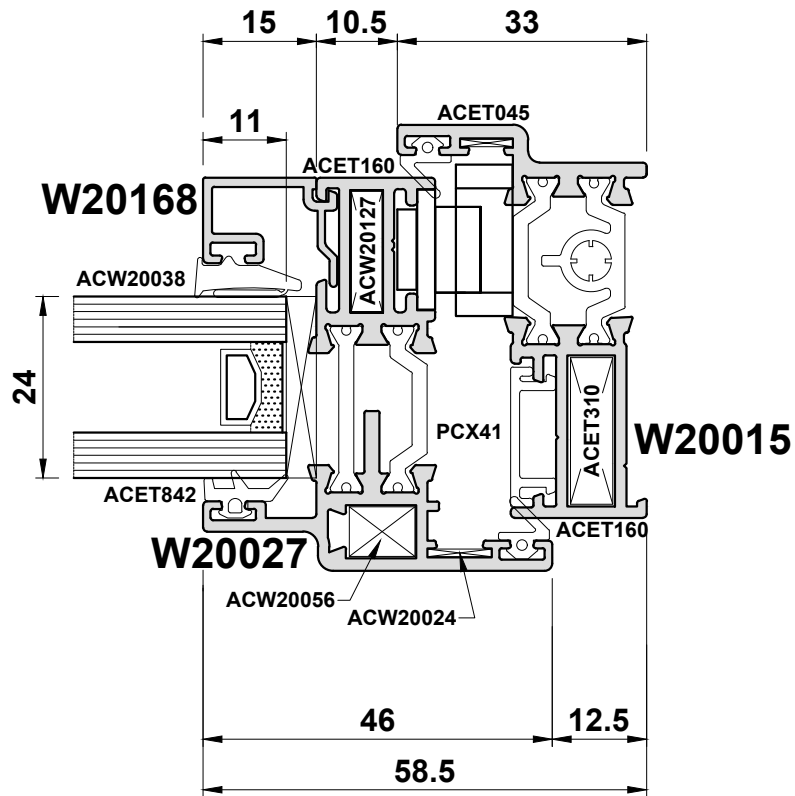
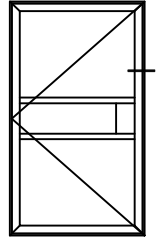
Do Not Scale From This Drawing

Detail 24B



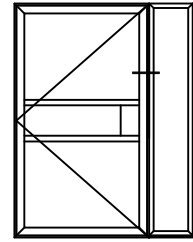
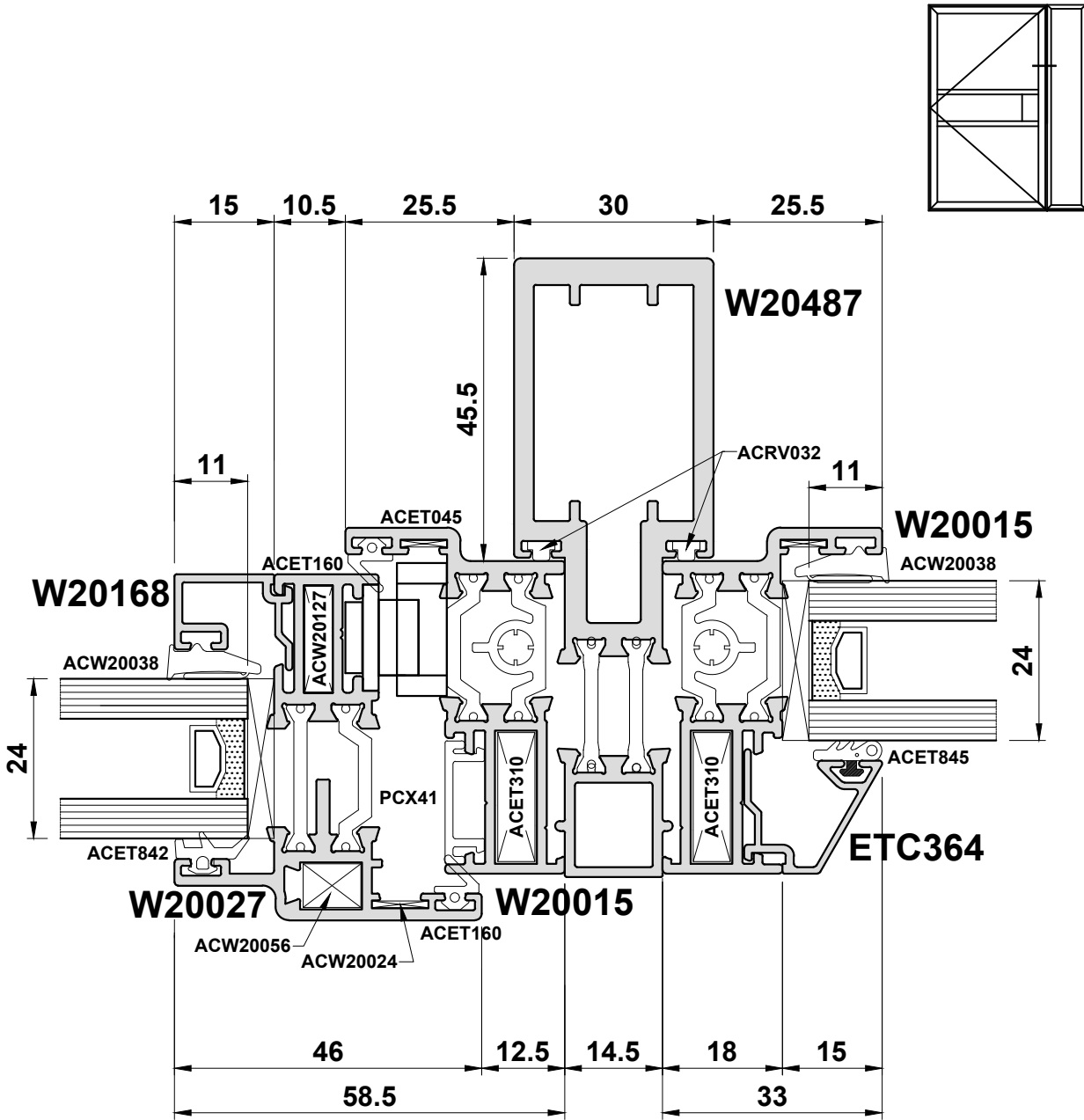
Do Not Scale From This Drawing

Detail 25A



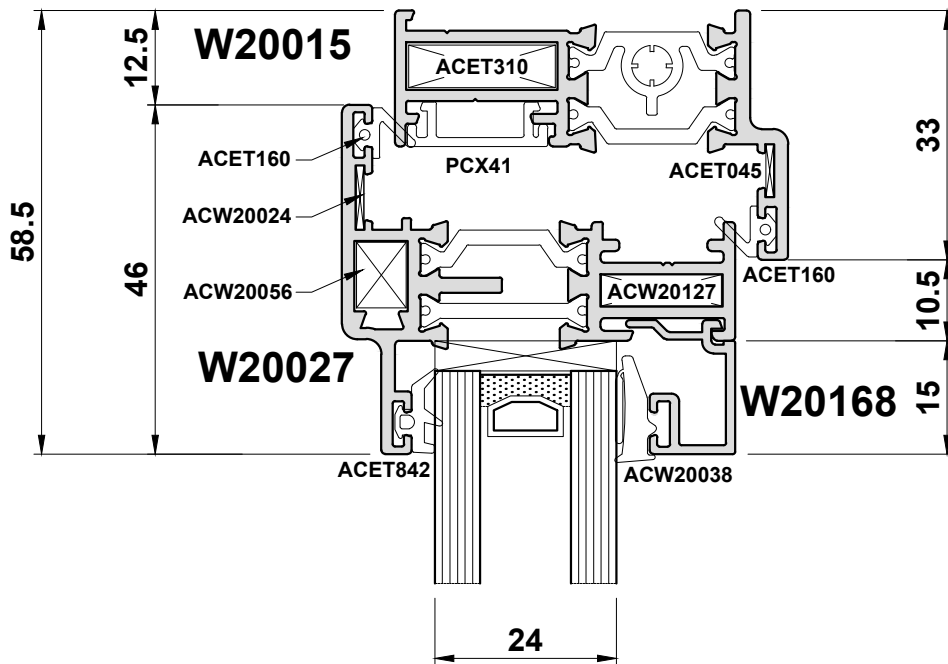
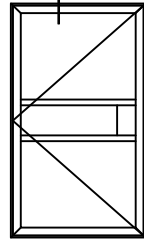
Do Not Scale From This Drawing

Detail 25B



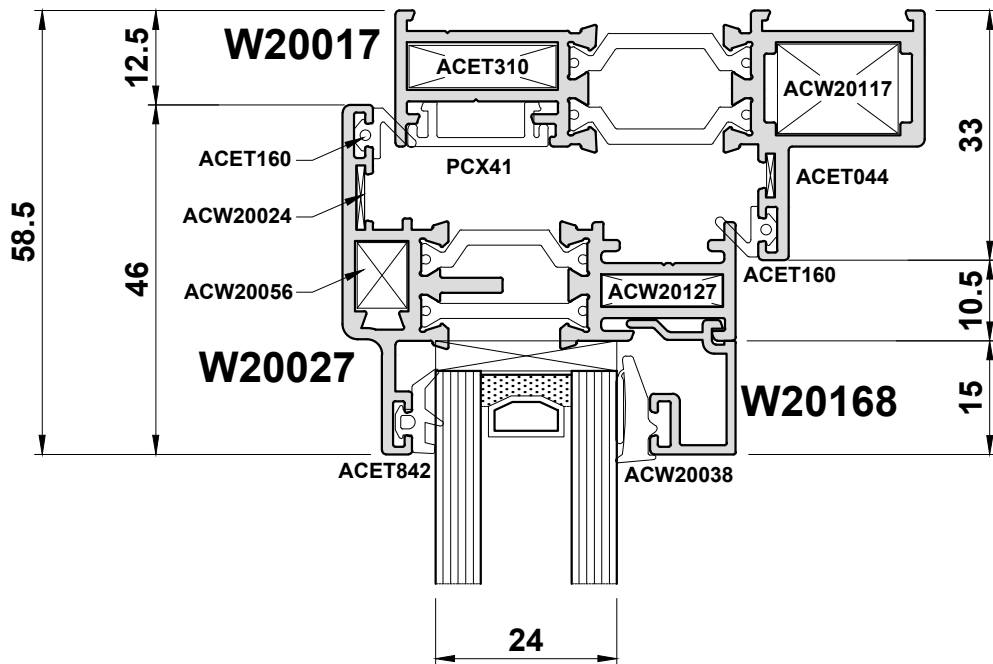
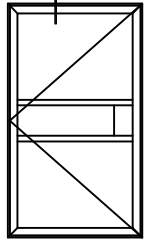
Do Not Scale From This Drawing

Detail 27A



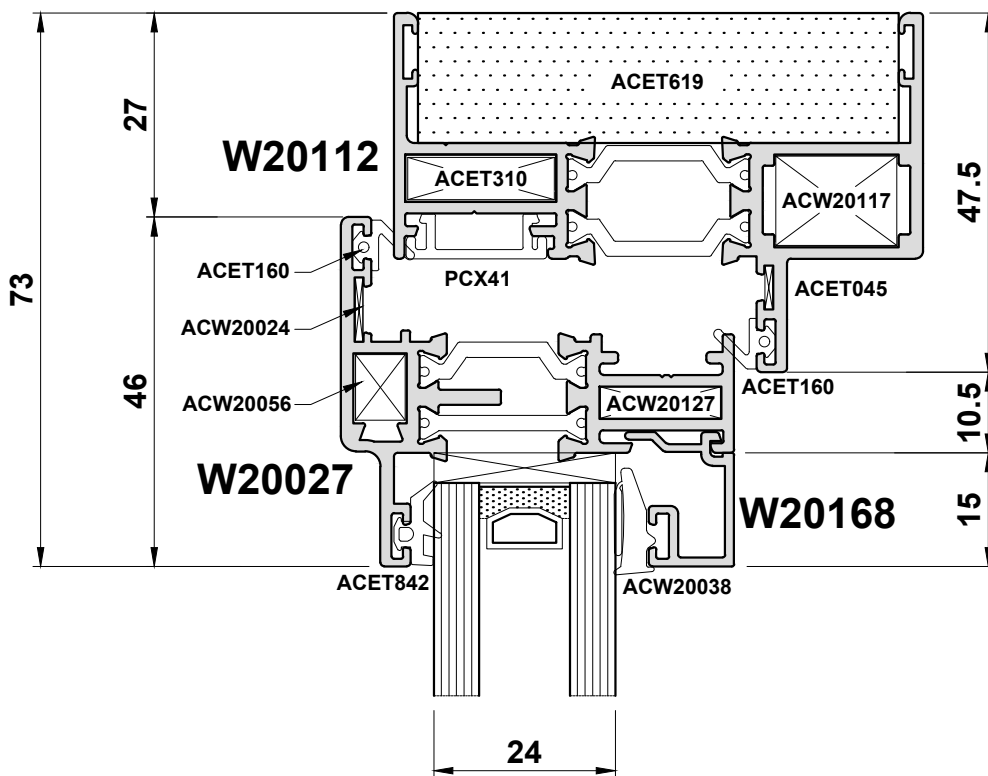
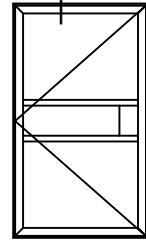
Do Not Scale From This Drawing

**Detail 27B**



**Do Not Scale From This Drawing**

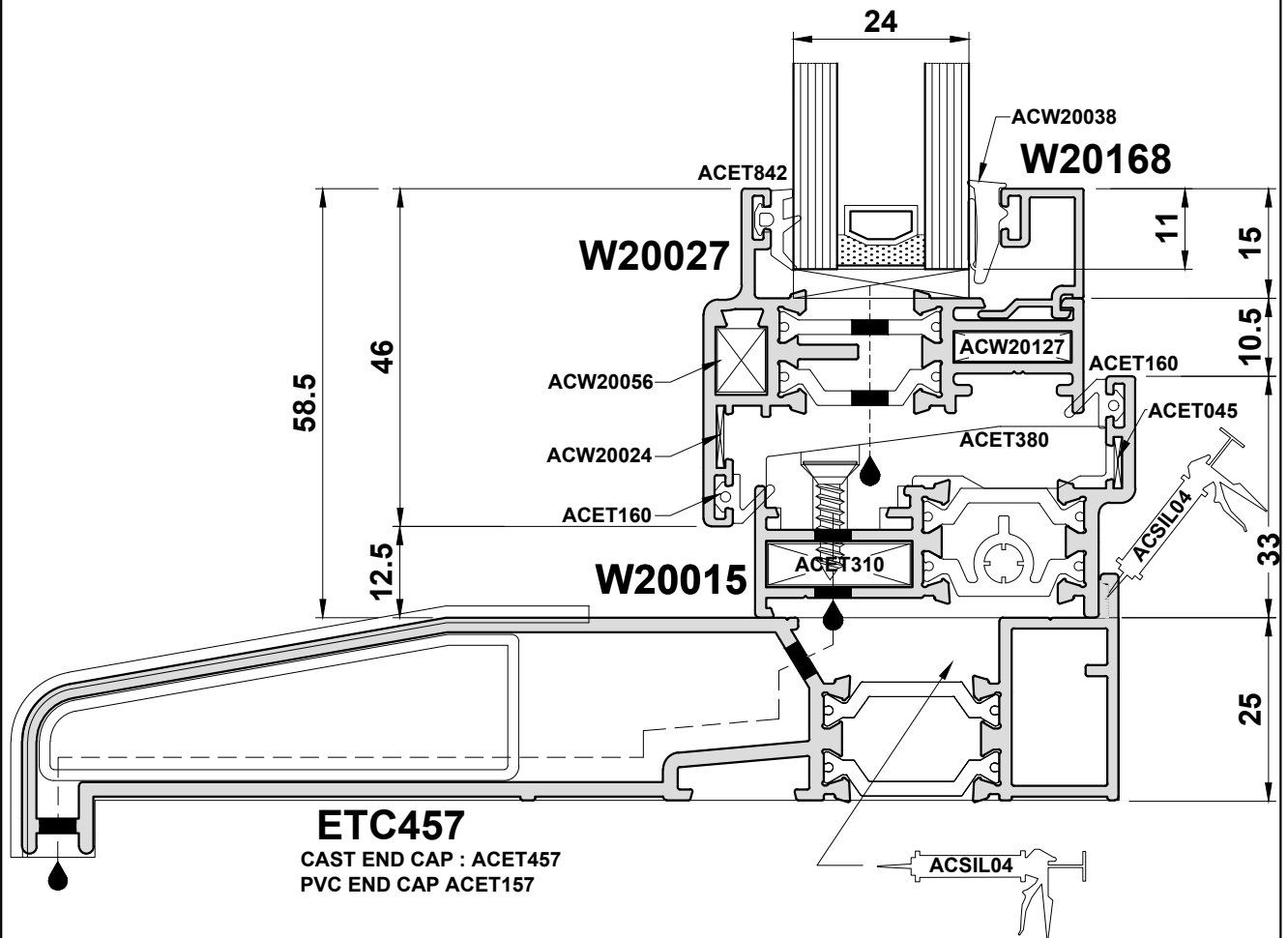
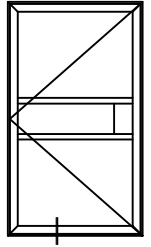
Detail 27C



Do Not Scale From This Drawing

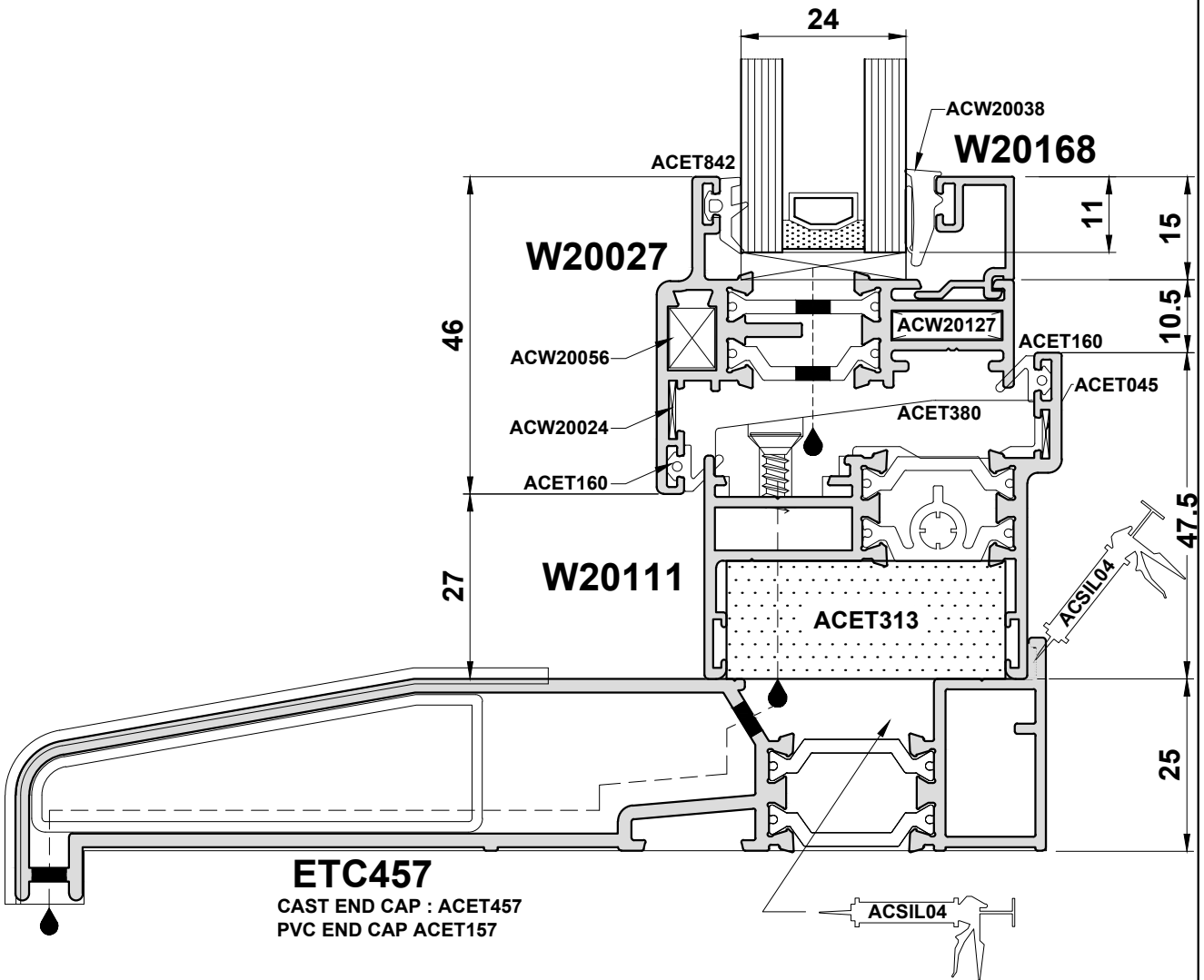
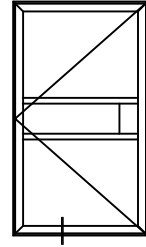


**Detail 28A**



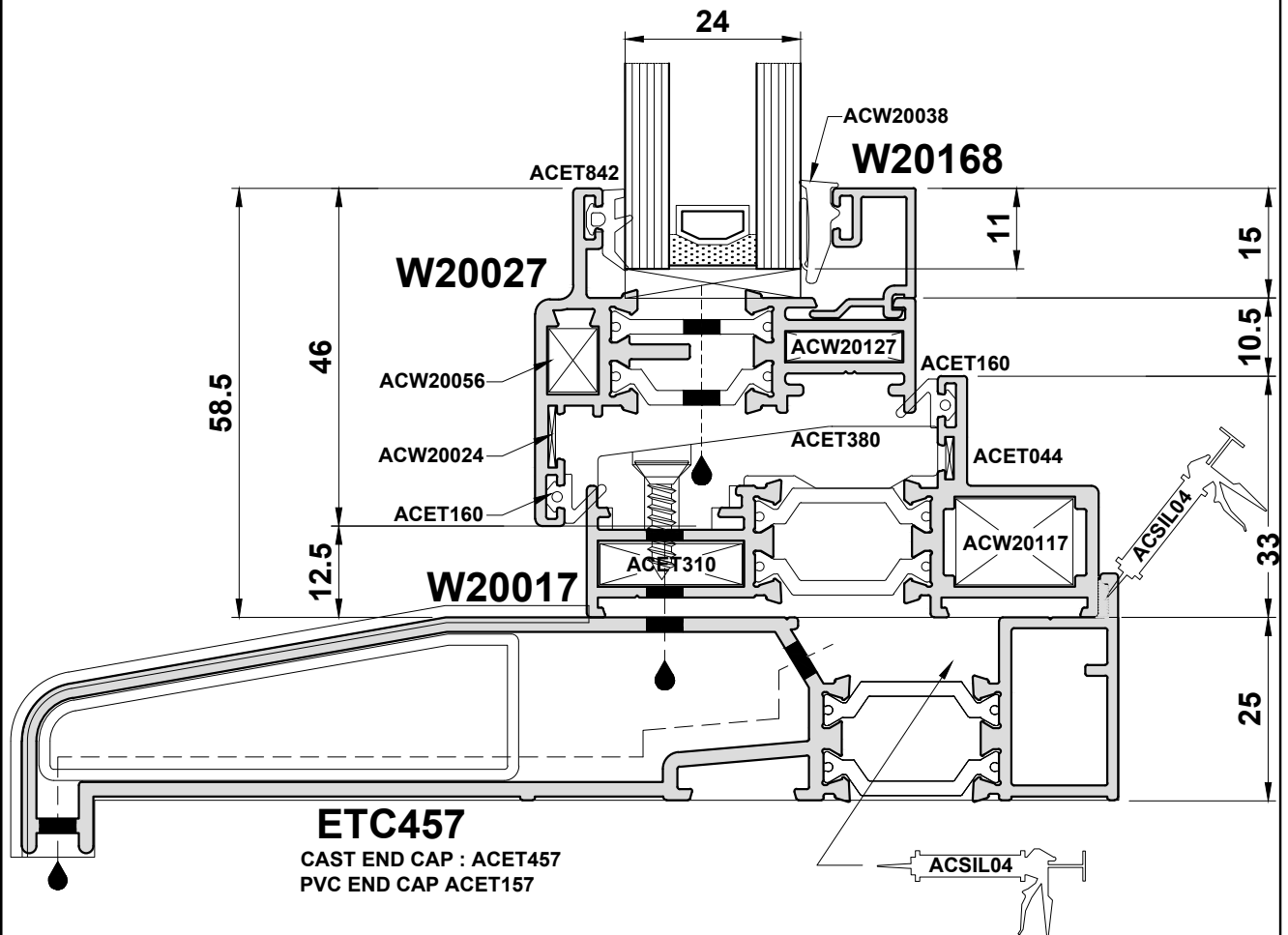
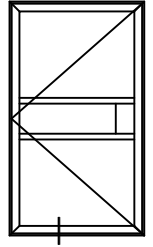
**Do Not Scale From This Drawing**

Detail 28B



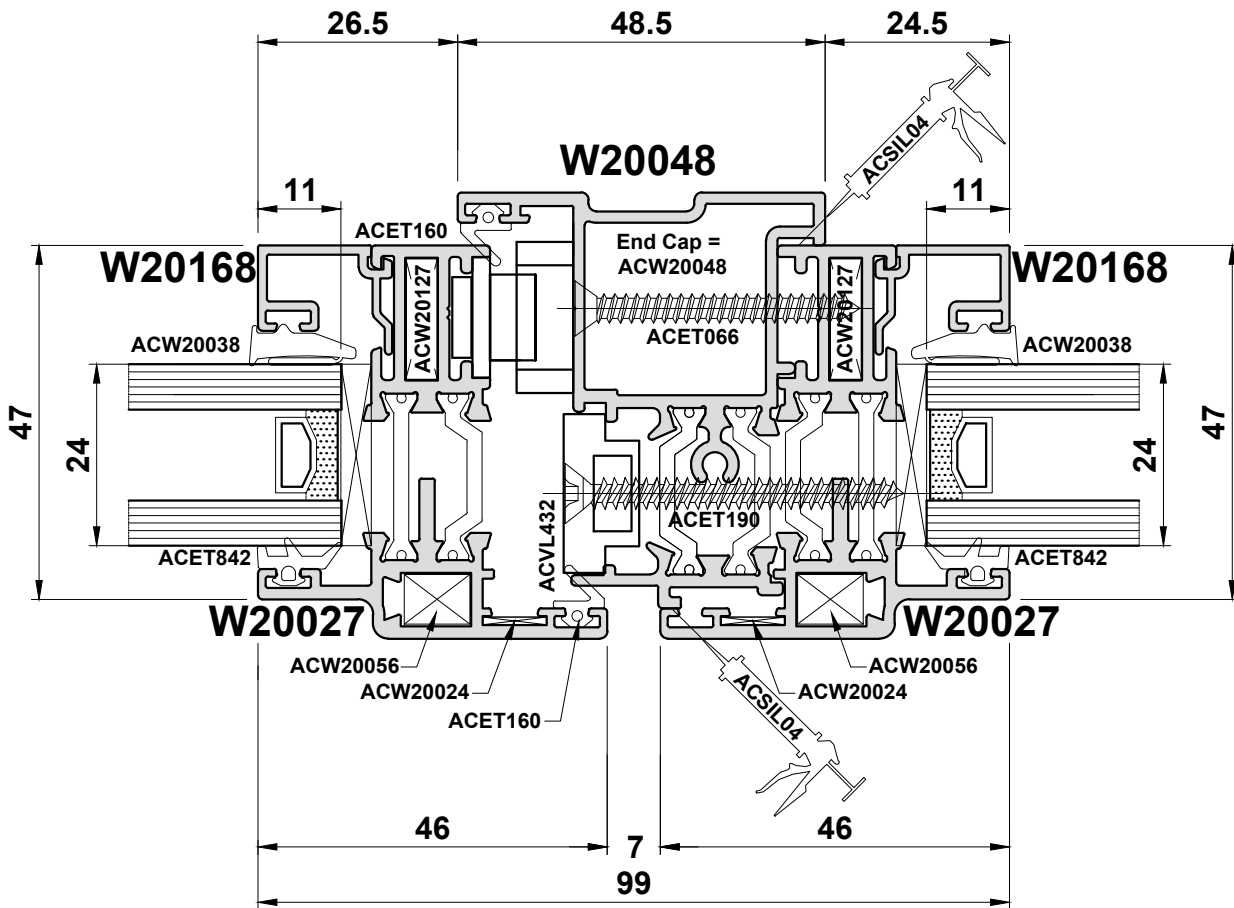
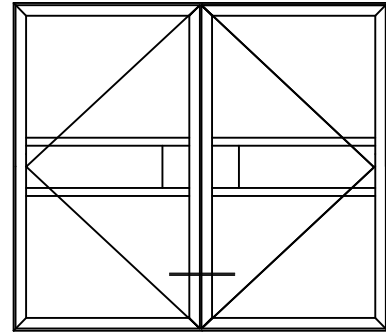
Do Not Scale From This Drawing

Detail 28C



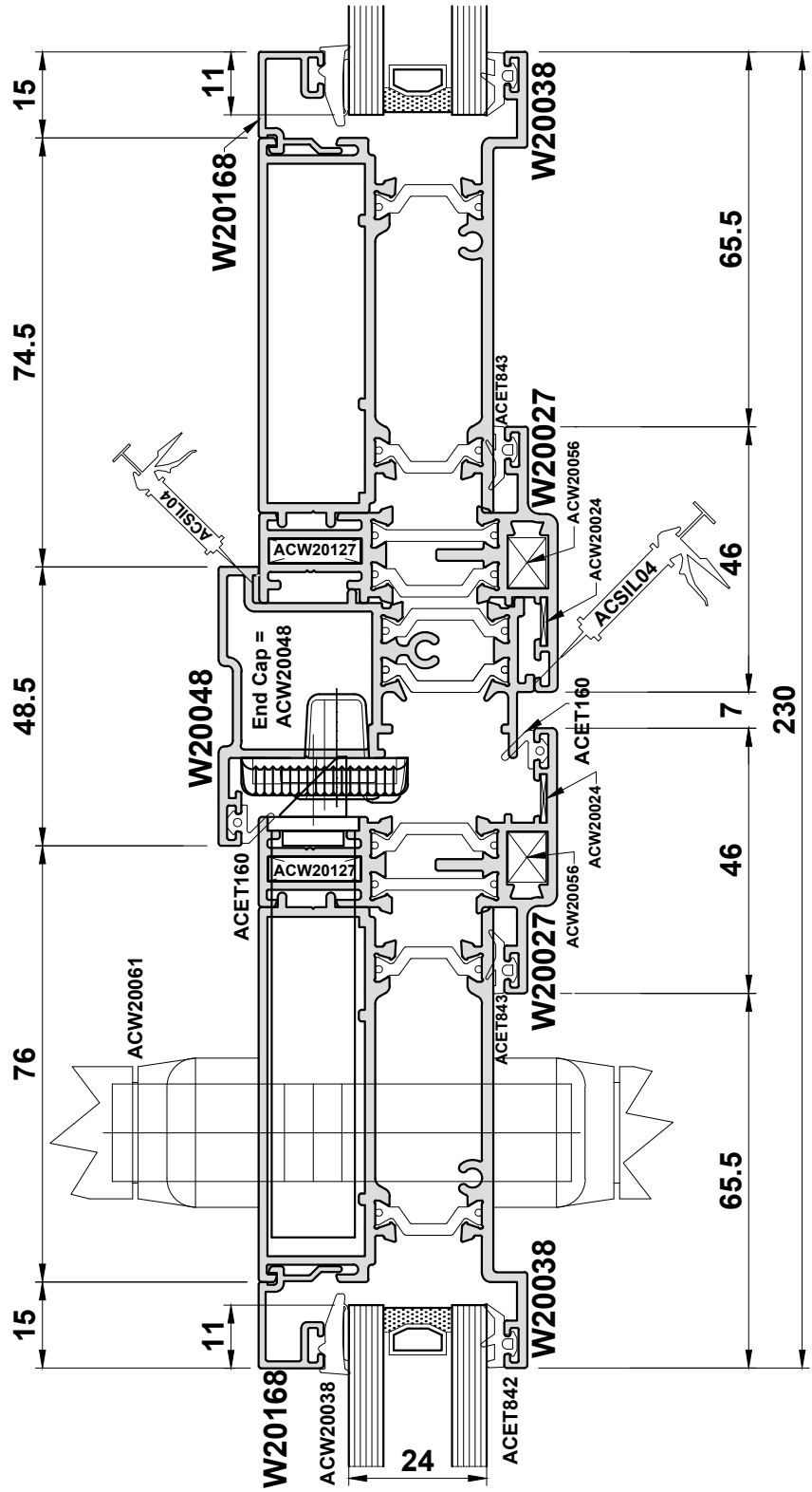
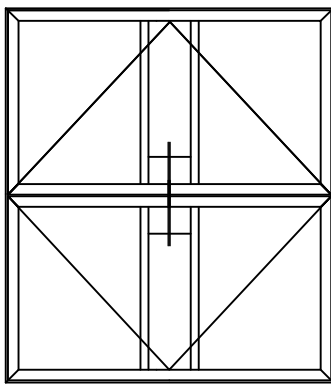
Do Not Scale From This Drawing

Detail 29



Do Not Scale From This Drawing

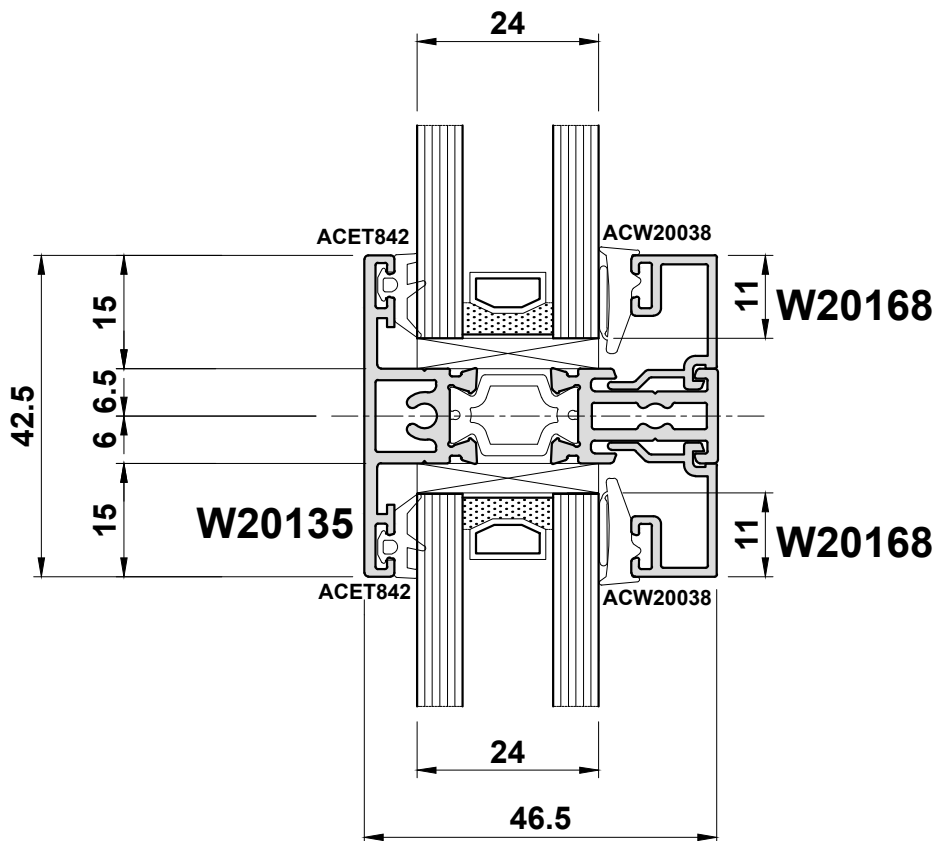
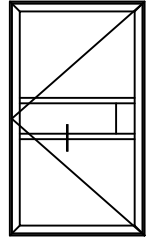
Detail 30



Not To Scale

Do Not Scale From This Drawing

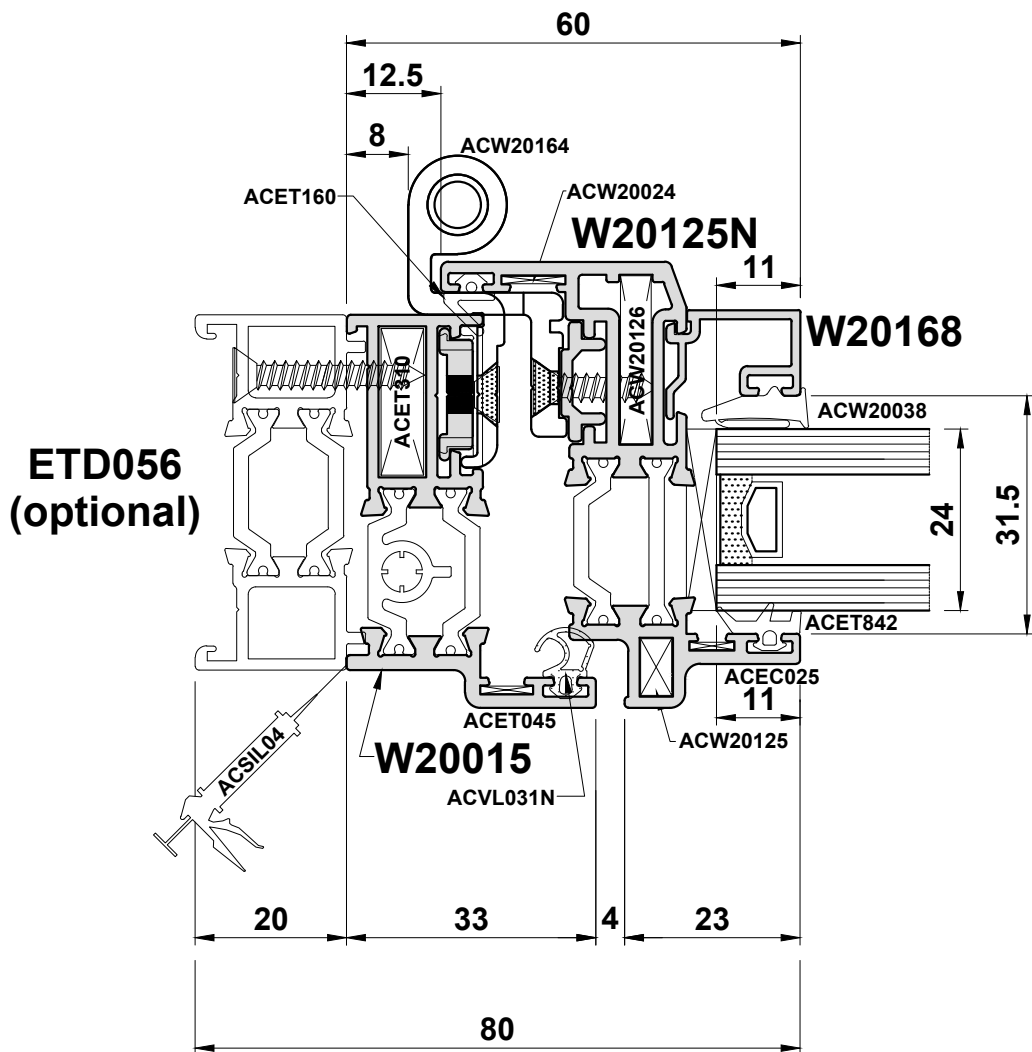
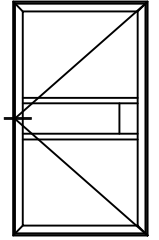
Detail 32



Note: Transoms will drain through the join to the sash.

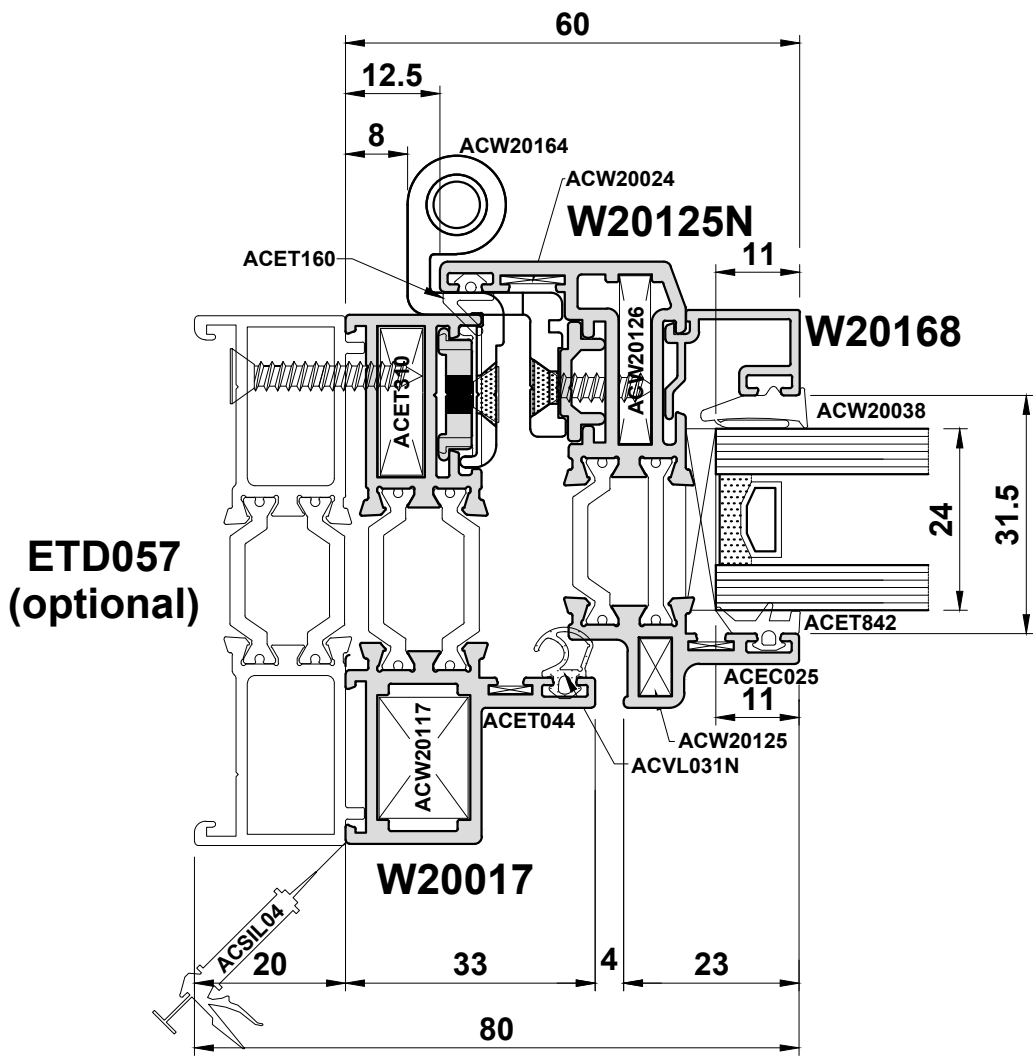
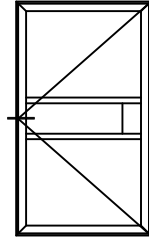
Do Not Scale From This Drawing

**Detail 33A**



**Do Not Scale From This Drawing**

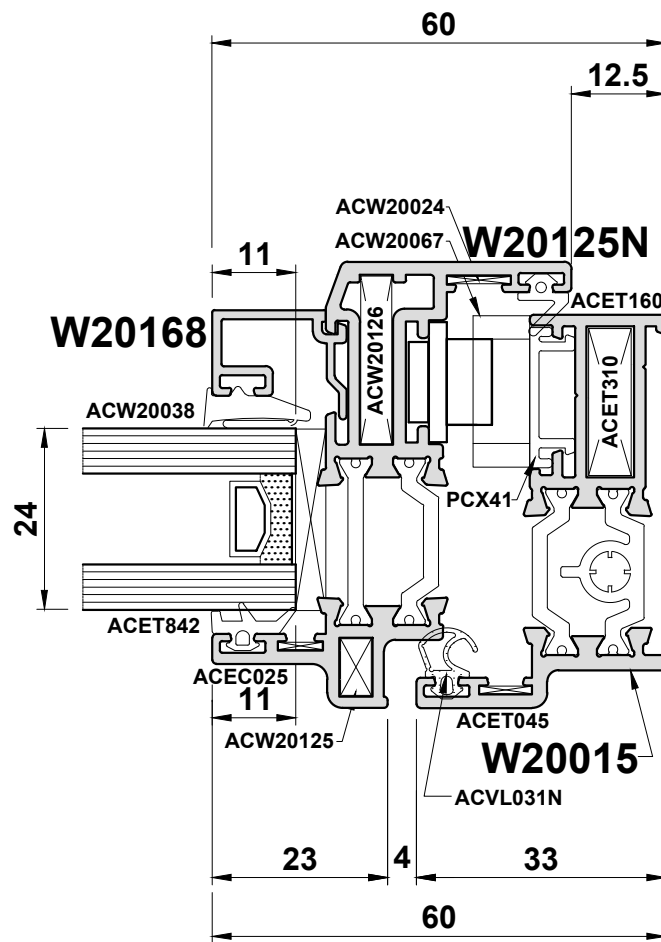
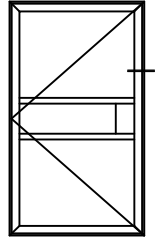
**Detail 33B**



**Do Not Scale From This Drawing**

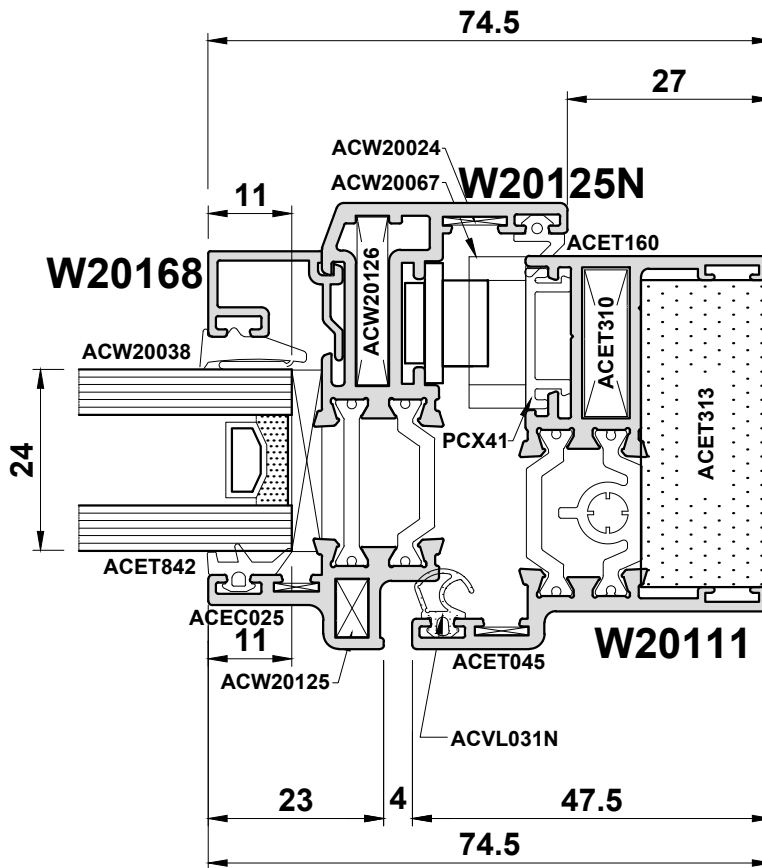
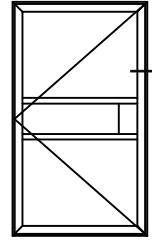


Detail 34A



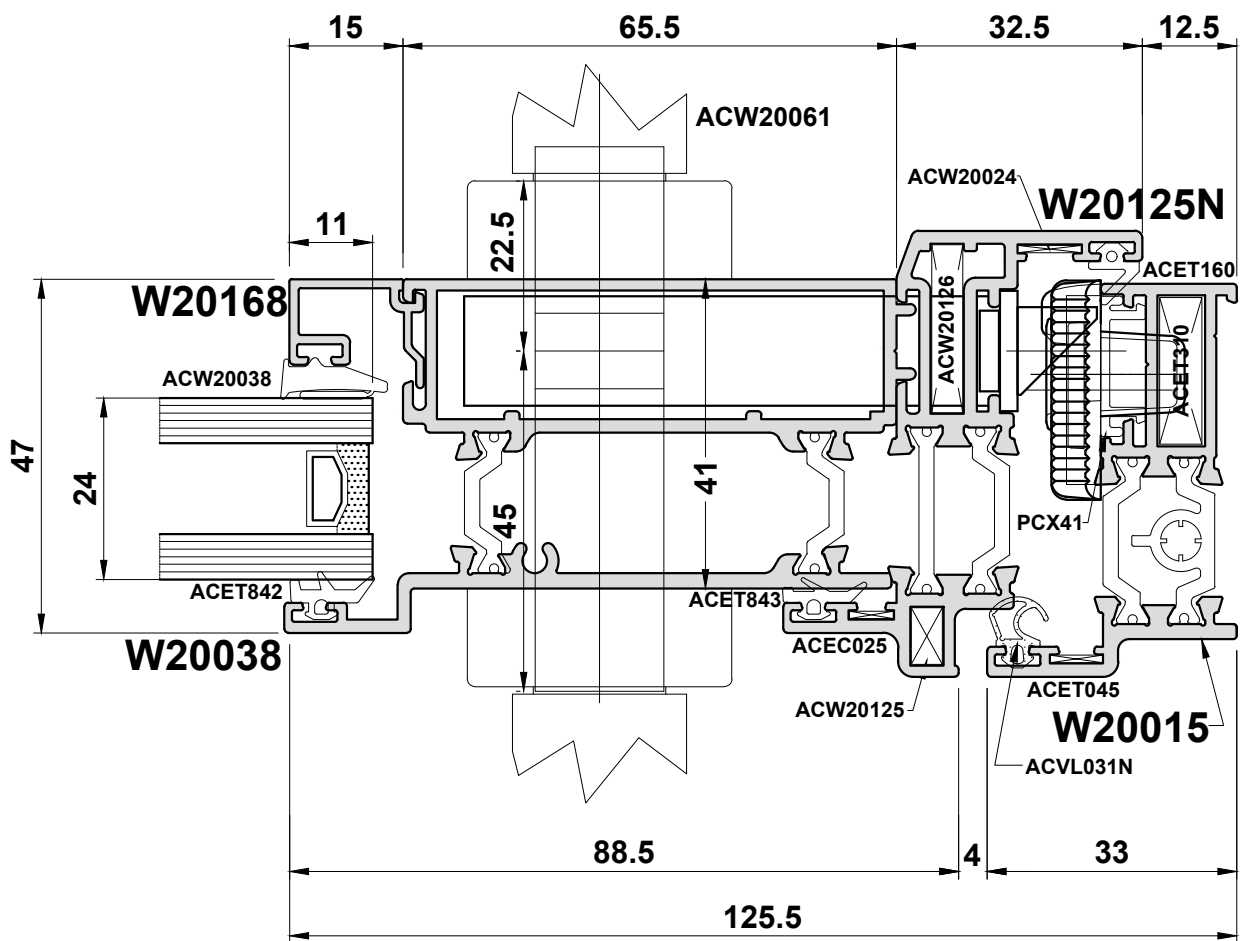
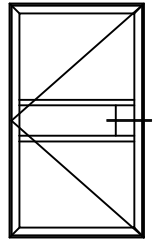
Do Not Scale From This Drawing

Detail 34B



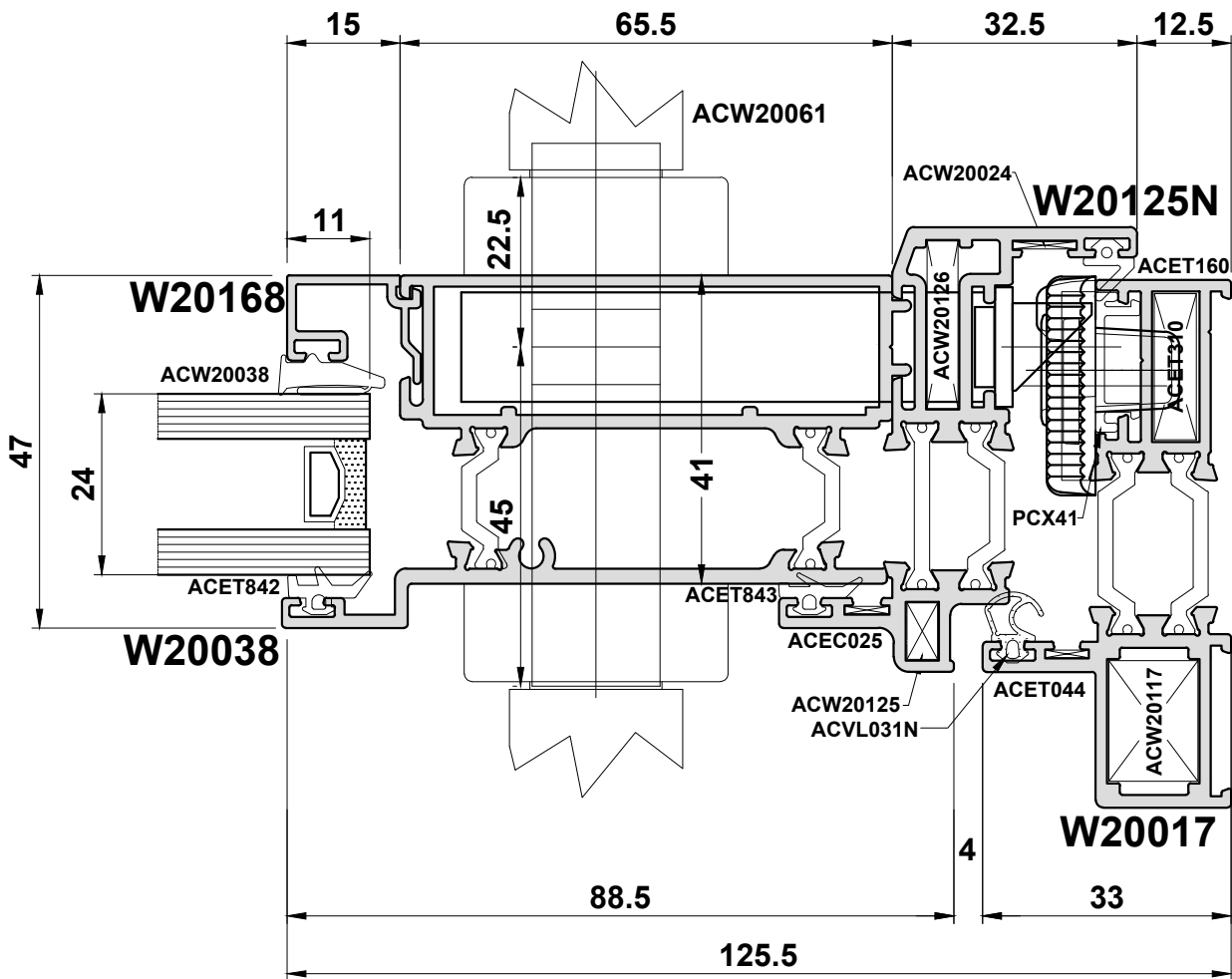
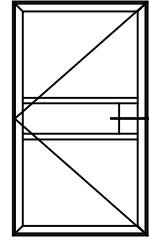
Do Not Scale From This Drawing

Detail 35A



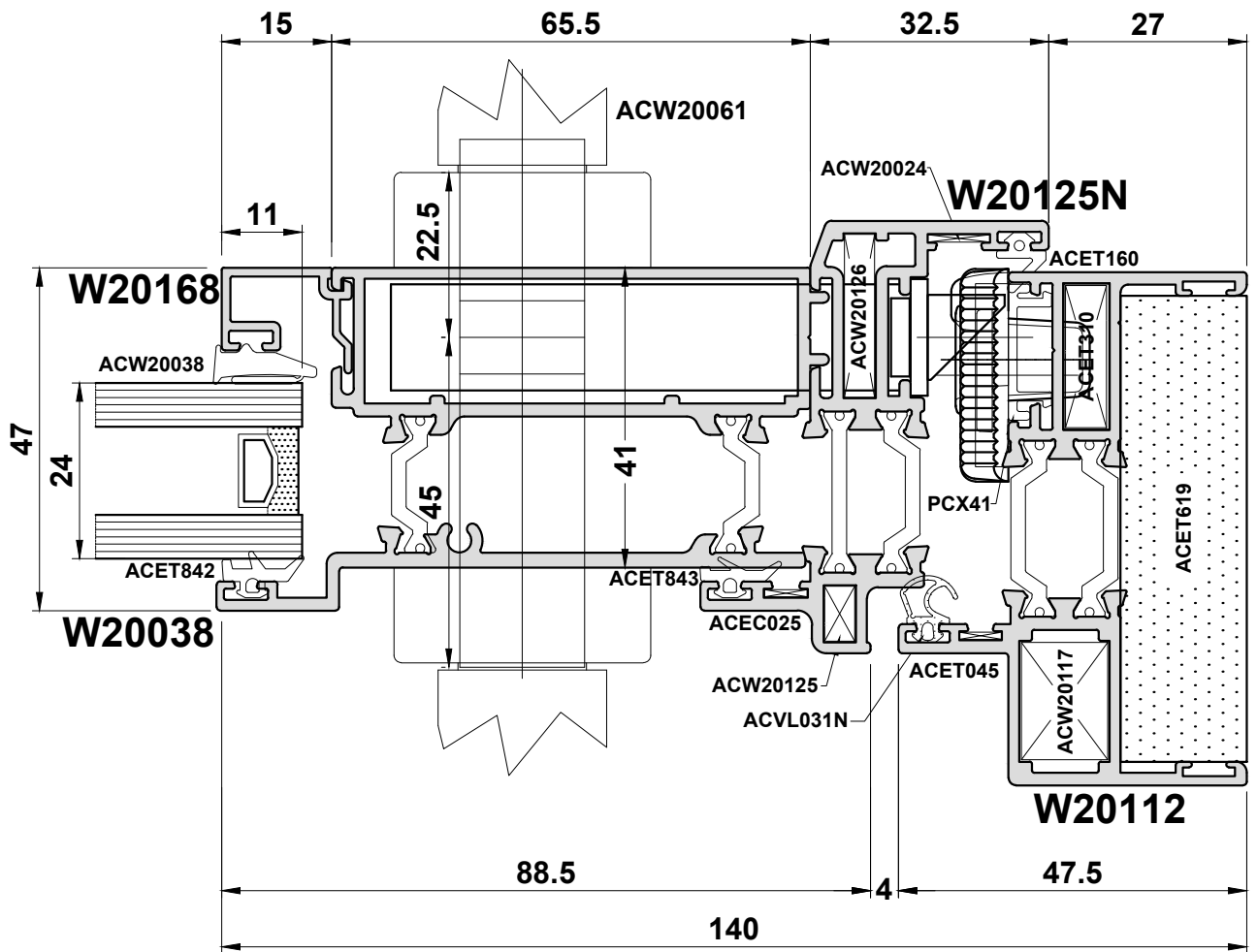
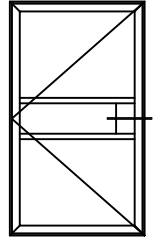
Do Not Scale From This Drawing

Detail 35B



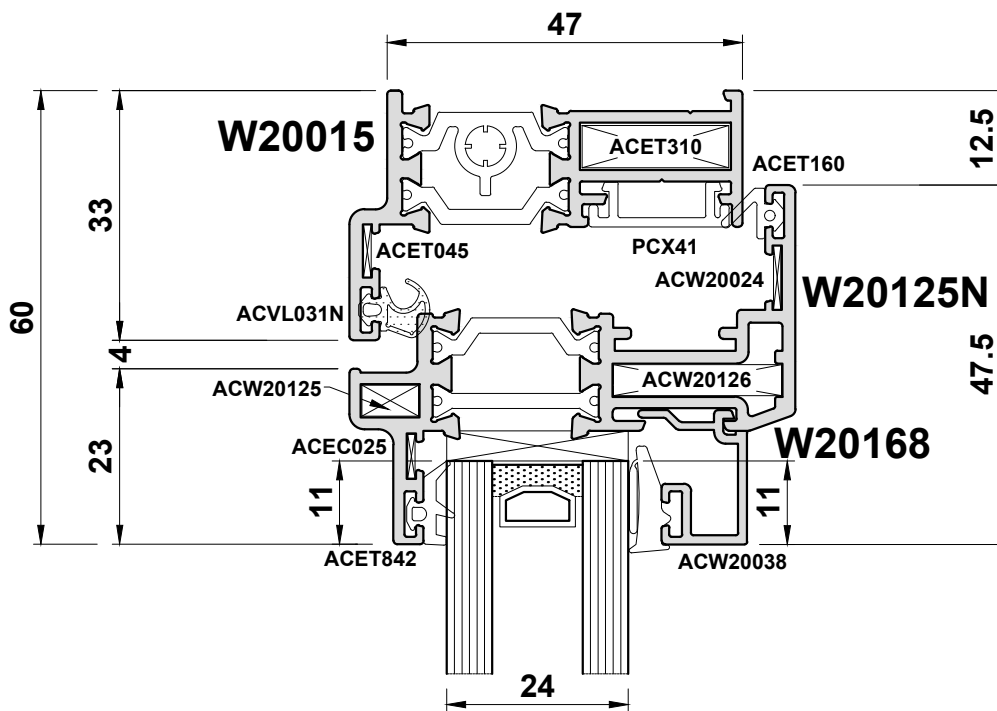
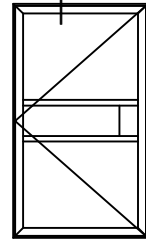
Do Not Scale From This Drawing

Detail 35C

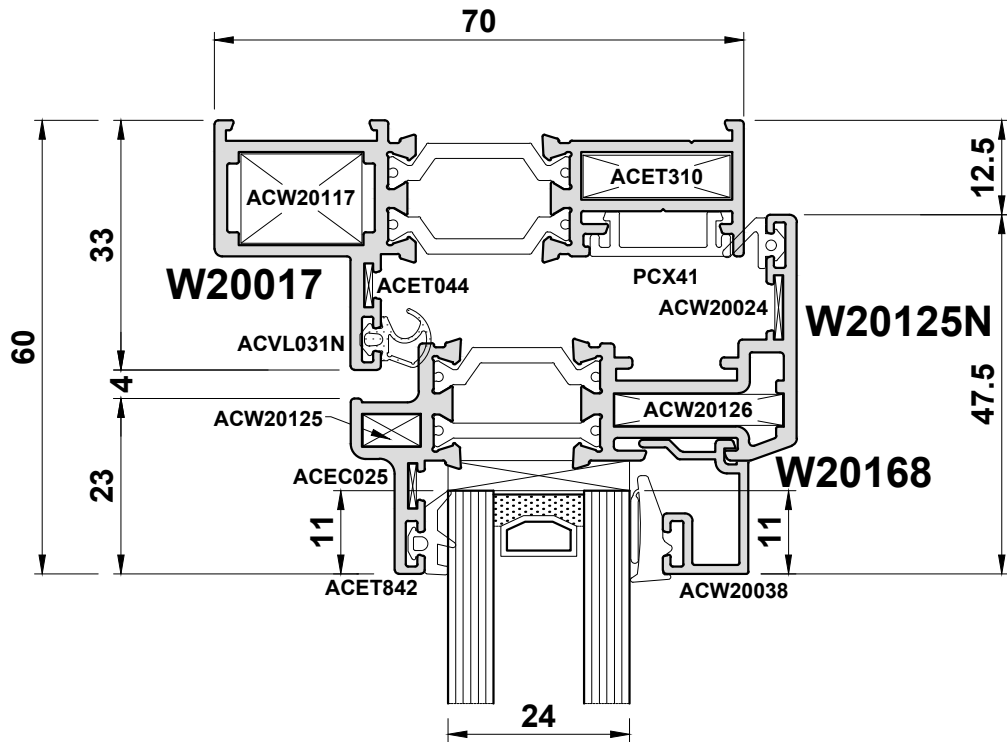
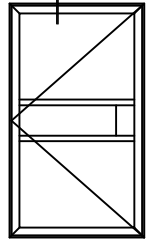


Do Not Scale From This Drawing

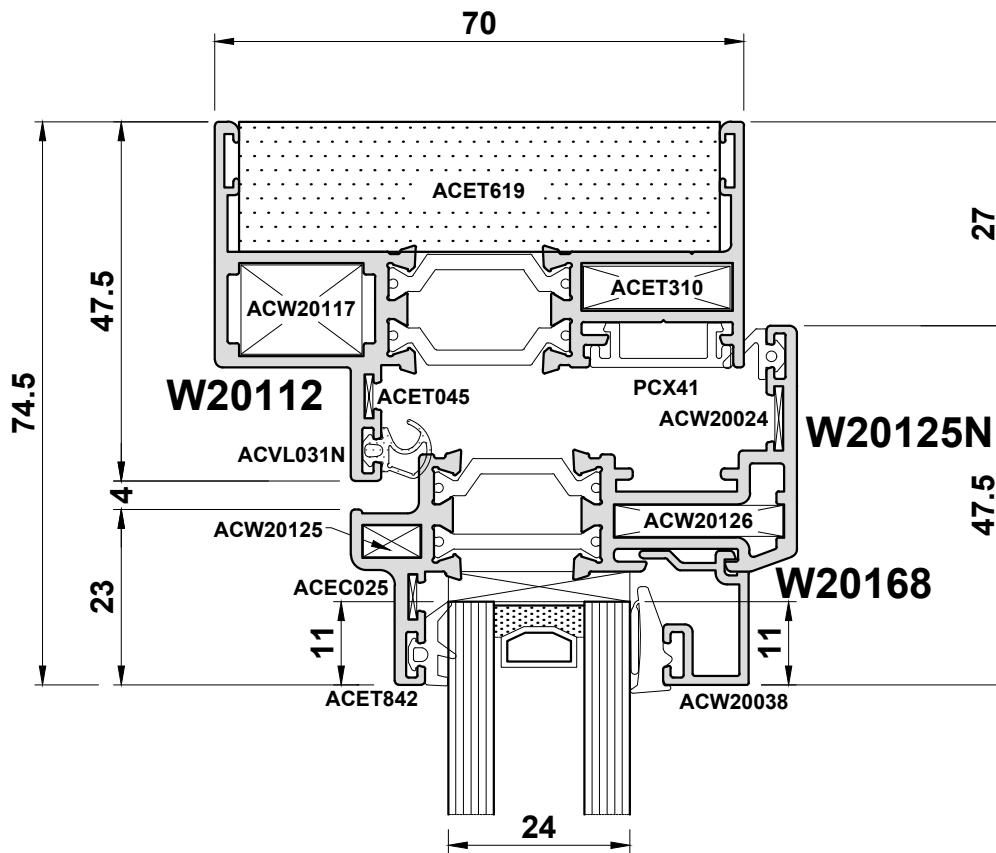
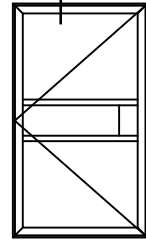
Detail 36A



Do Not Scale From This Drawing



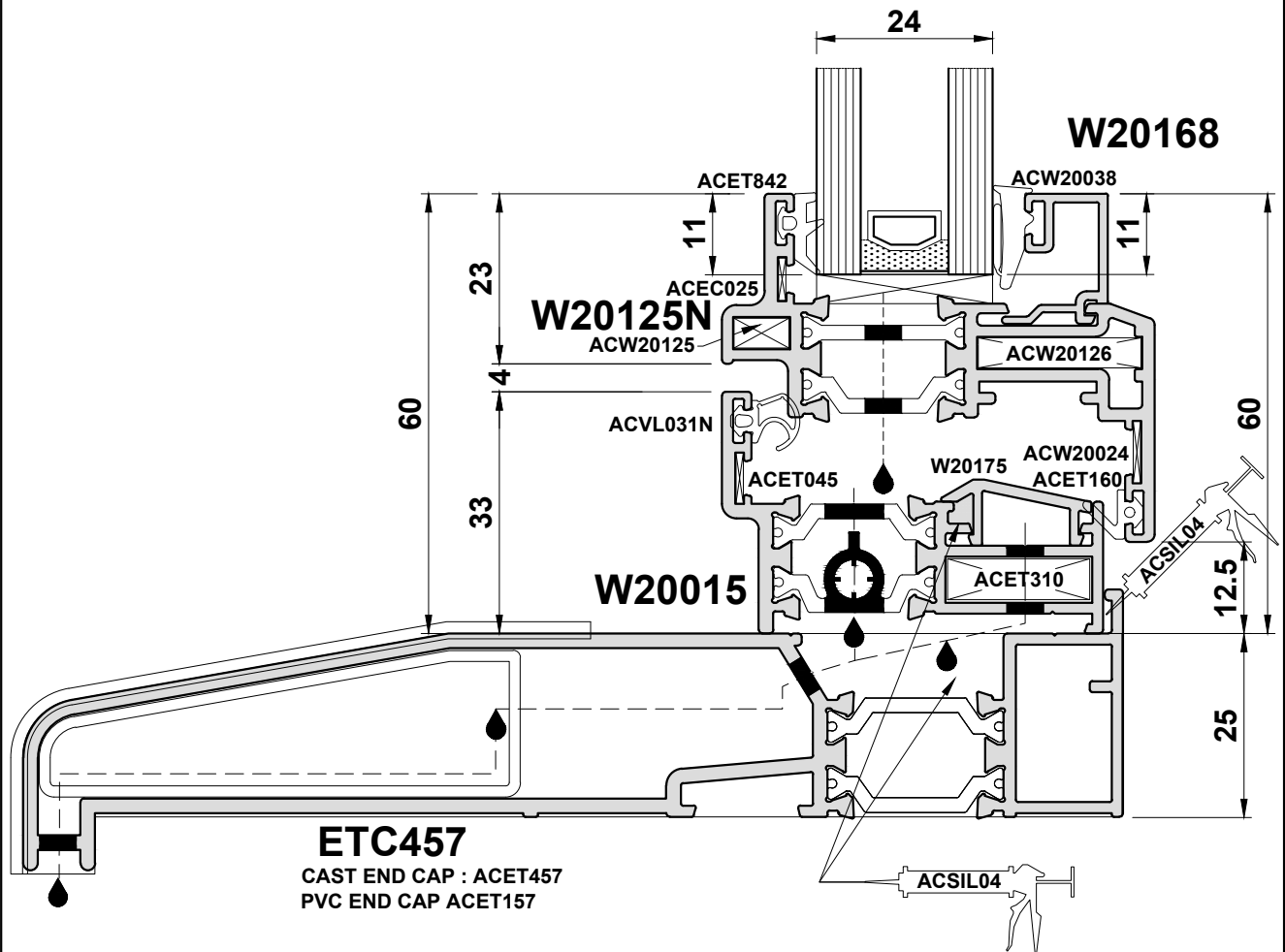
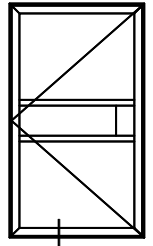
Do Not Scale From This Drawing



**Do Not Scale From This Drawing**

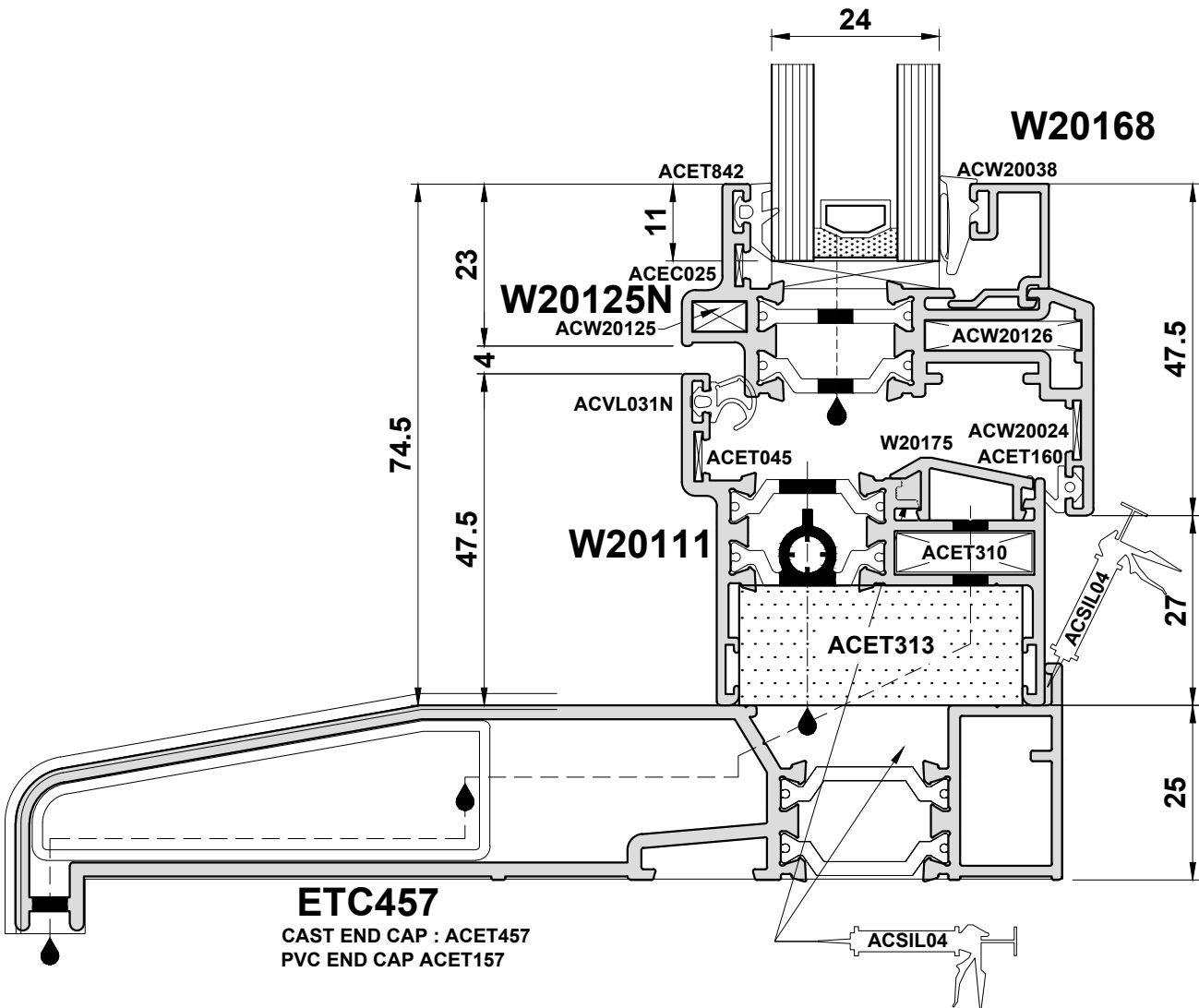
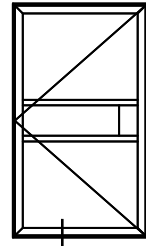


Detail 37A



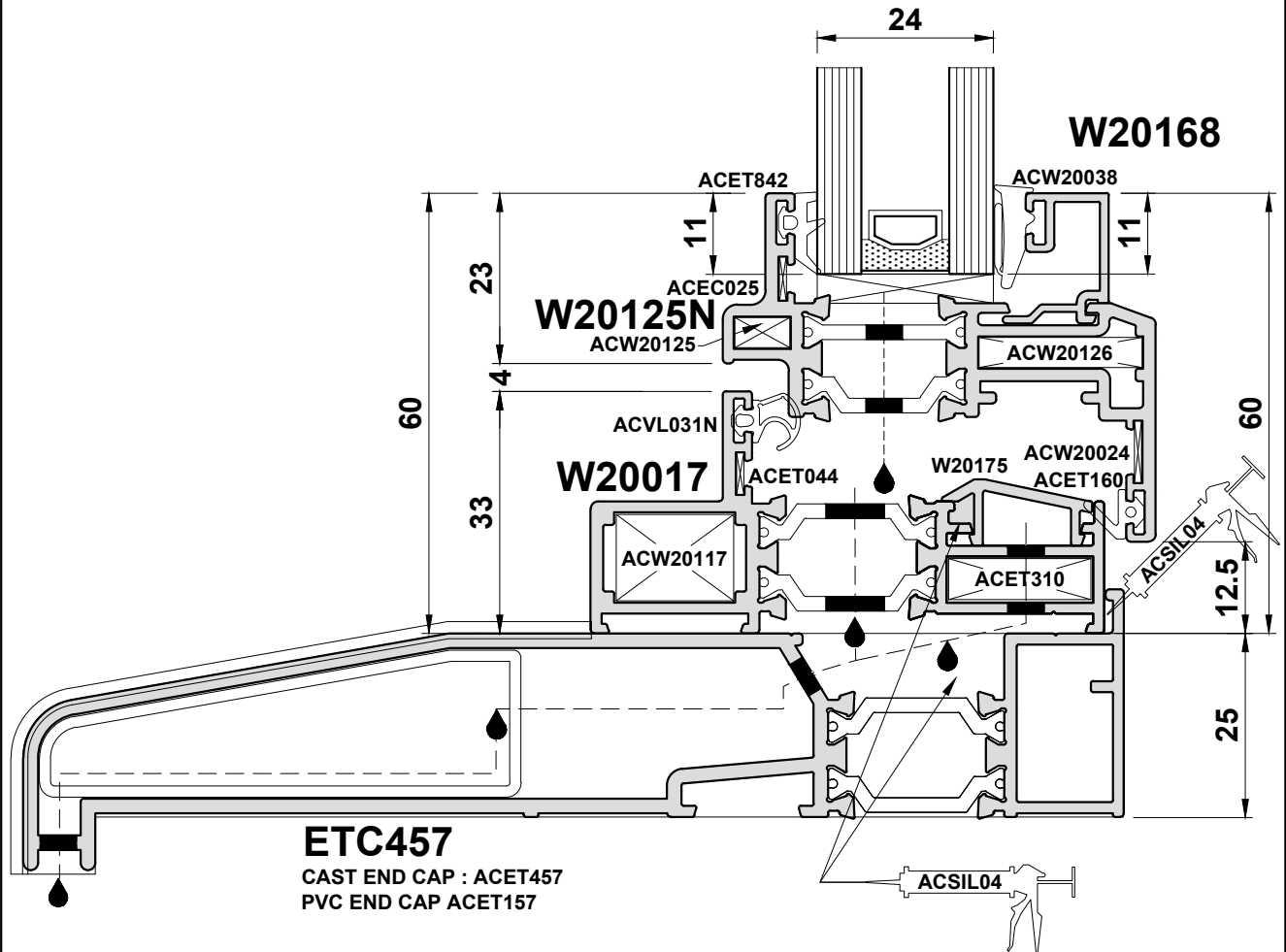
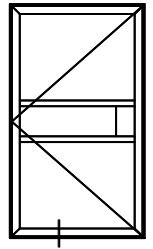
Do Not Scale From This Drawing

Detail 37B



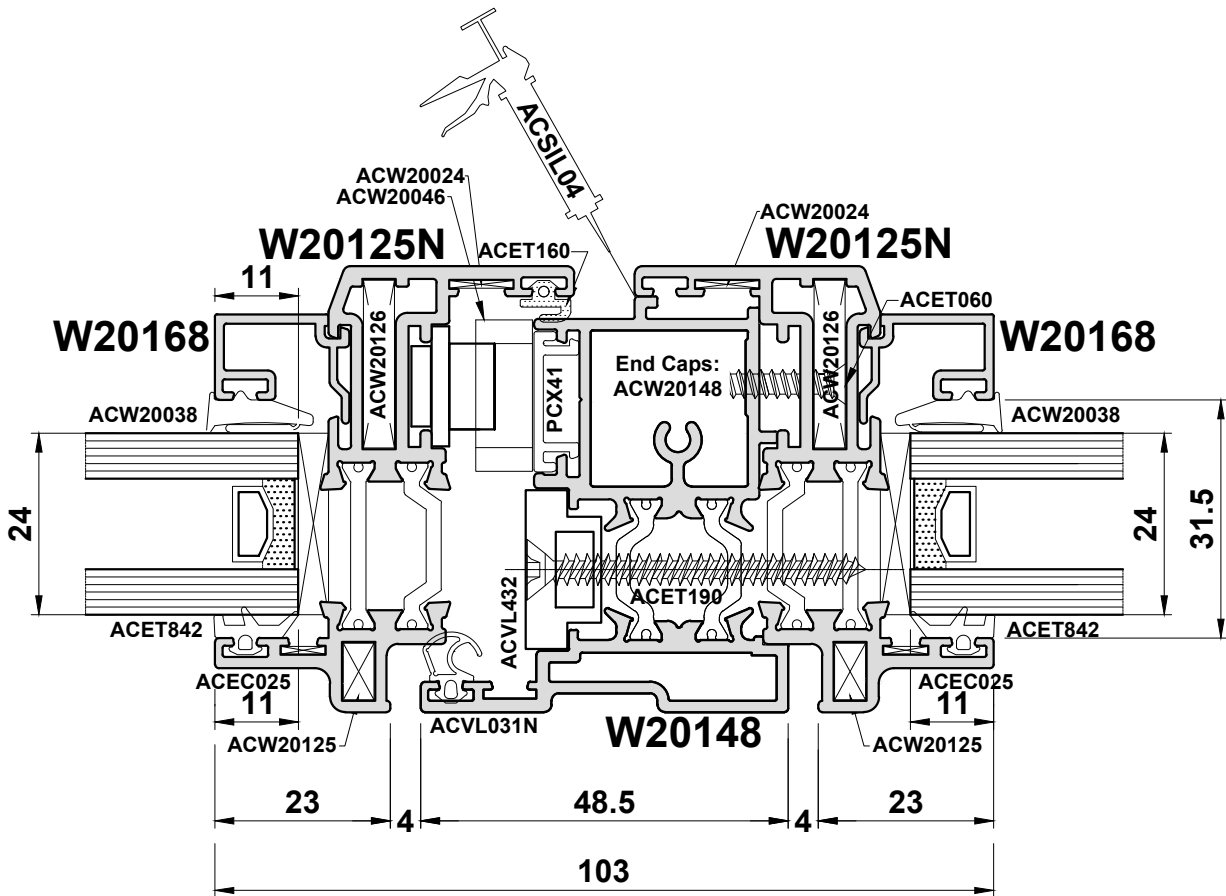
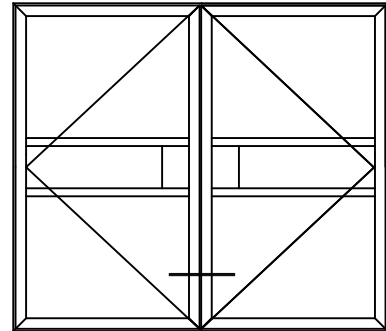
Do Not Scale From This Drawing

Detail 37C



Do Not Scale From This Drawing

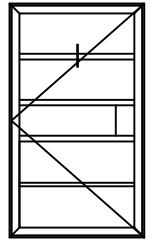
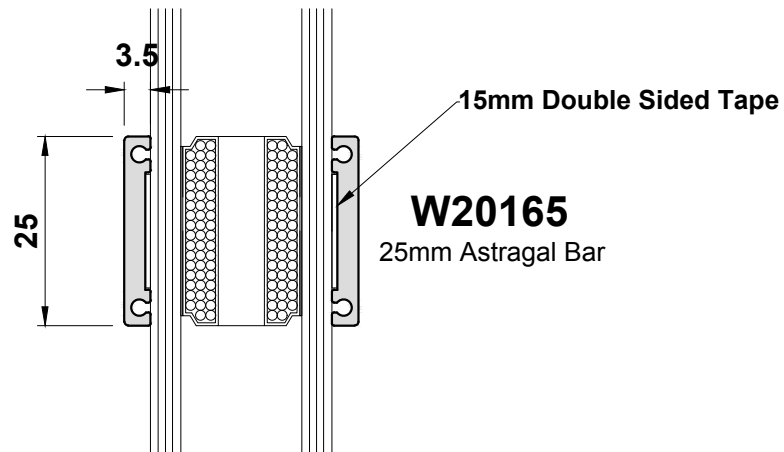
**Detail 38**



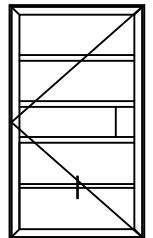
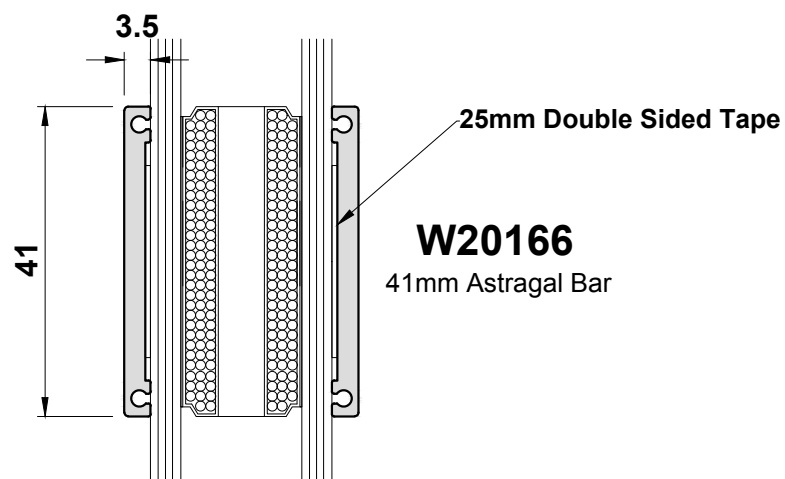
**Do Not Scale From This Drawing**



**Detail 41A**



**Detail 41B**

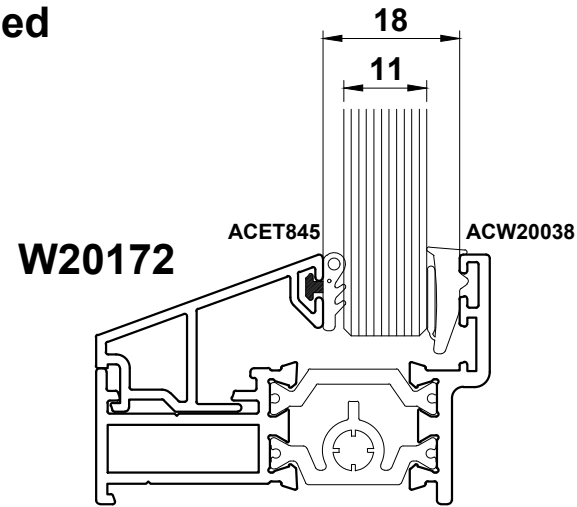


**Do Not Scale From This Drawing**

**Glazing Chart**

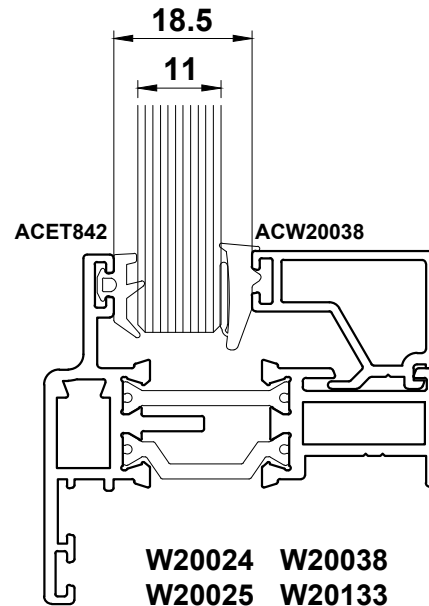
**11mm Glazing**

**Gasket Glazed**



**W20172**

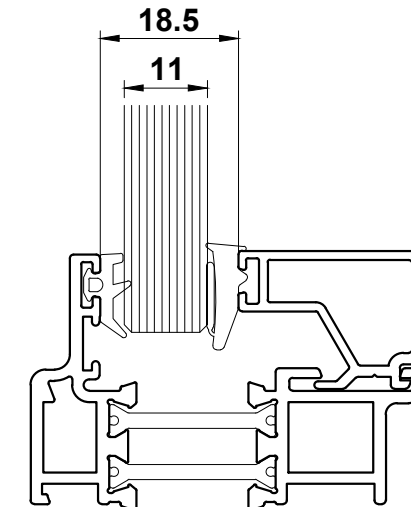
W20015 W20034 W20112  
W20016 W20035 W20132  
W20017 W20039  
W20032 W20111



ACET842 ACW20038

**W20173**

W20024 W20038  
W20025 W20133  
W20027 W20135  
W20037



**W20173**

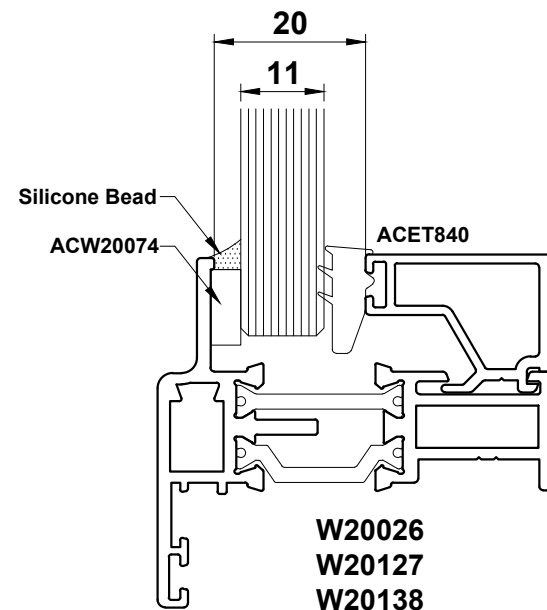
W20018  
W20037  
W20047  
W20125N

**11mm Glazing**

**Tape Glazed**

**Important Notes:**

- Glazing tape must be coated with silicone after installation
- Tape glazing is only available for the sections shown to the right

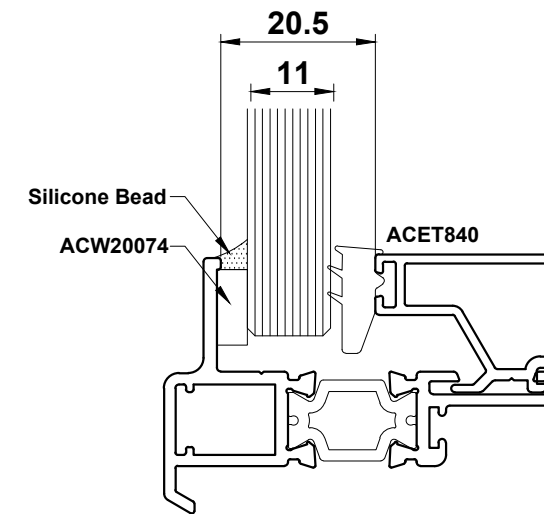


Silicone Bead  
ACW20074

ACET840

**W20173**

W20026  
W20127  
W20138



Silicone Bead  
ACW20074

ACET840

**W20173**

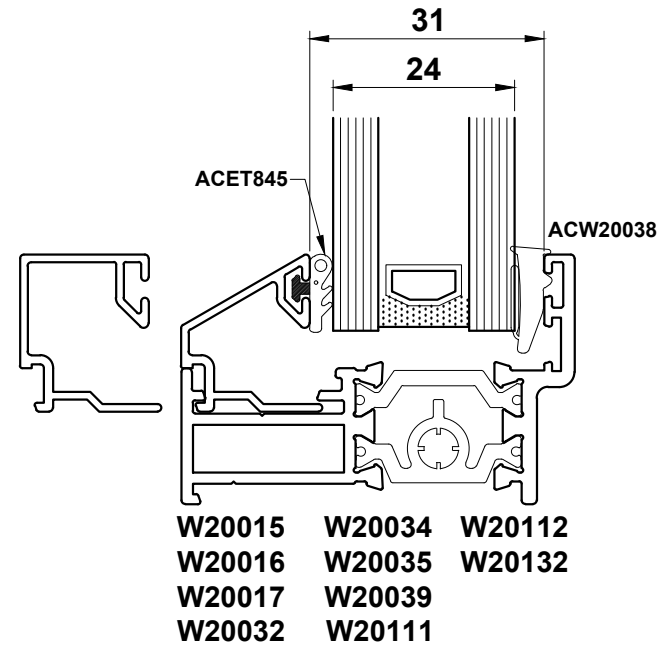
W20147  
W20137

**Glazing Chart**

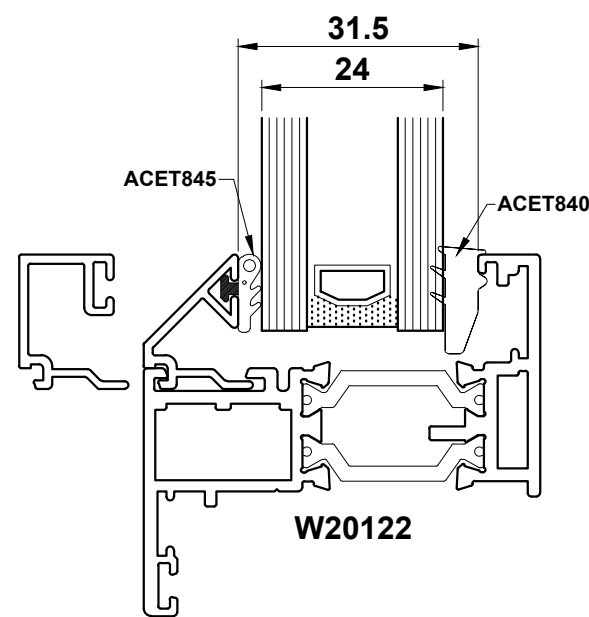
**24mm Glazing**

**Gasket Glazed**

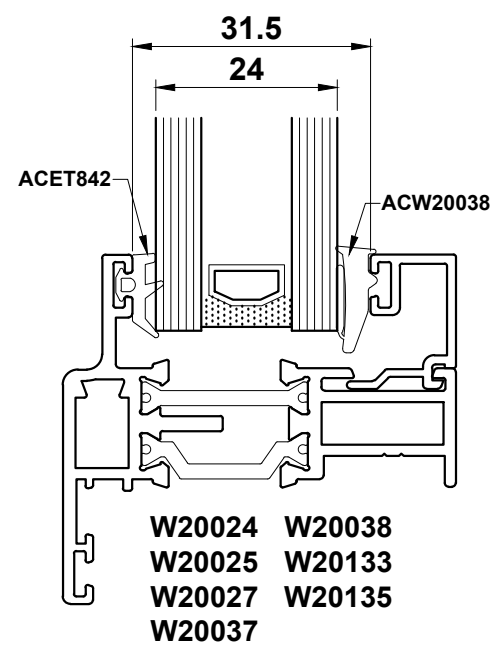
**ETC370 or ETC364**  
Square Chamfered



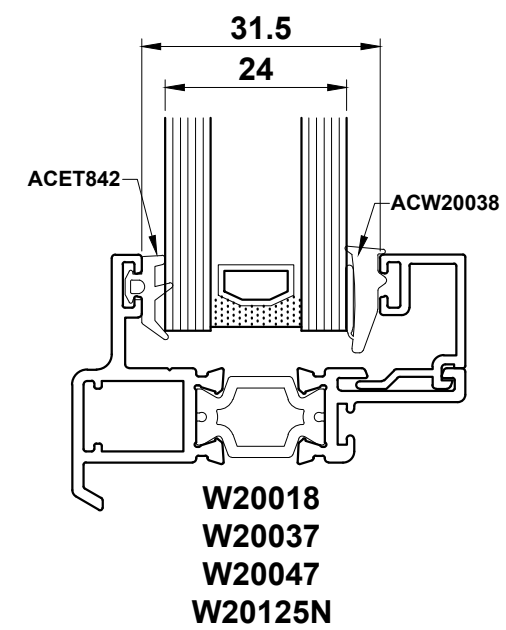
**ETC381 or ETC378**  
Square Chamfered



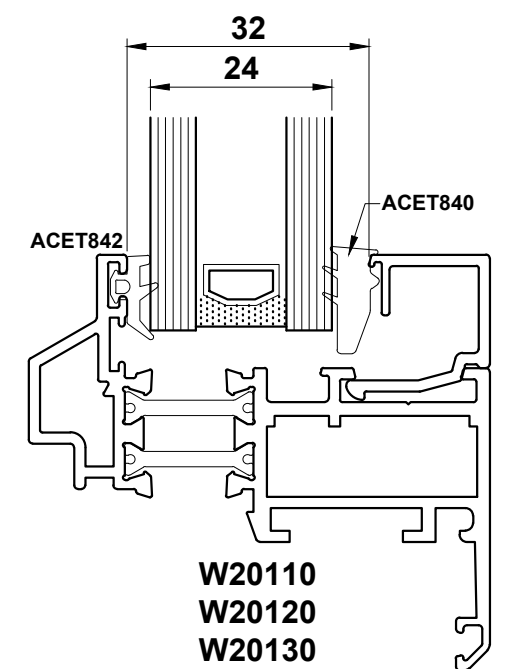
**W20168**



**W20168**



**W20174**

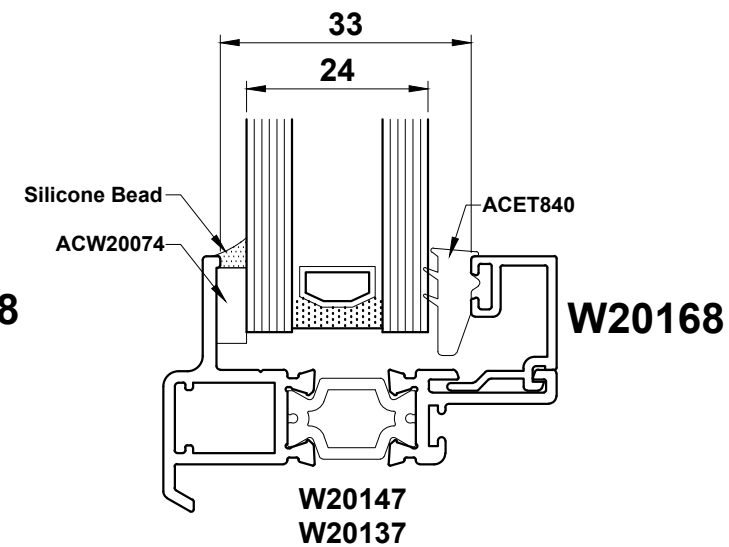
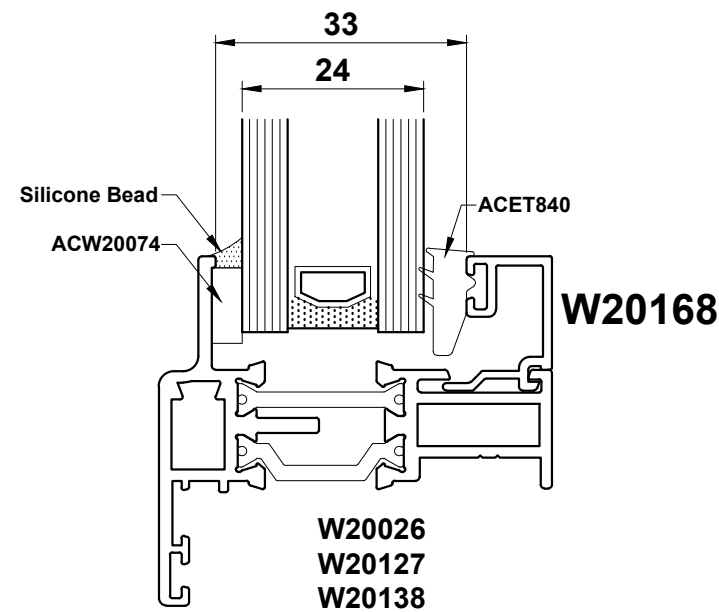


**24mm Glazing**

**Tape Glazed**

**Important Notes:**

- Glazing tape must be coated with silicone after installation
- Tape glazing is only available for the sections shown to the right



**We recommend the use of Black Spacer Bar in the sealed units**

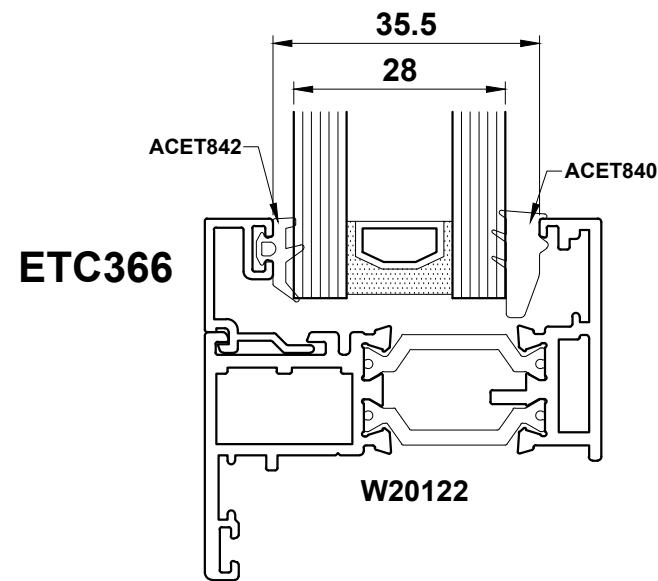
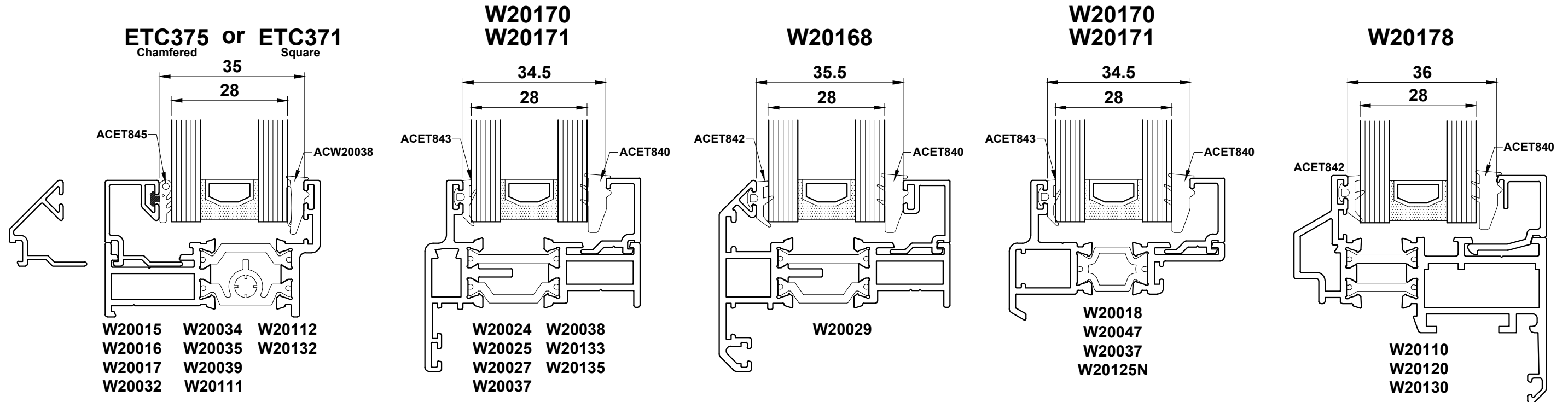
Do Not Scale From This Drawing



**Glazing Chart**

**28mm Glazing**

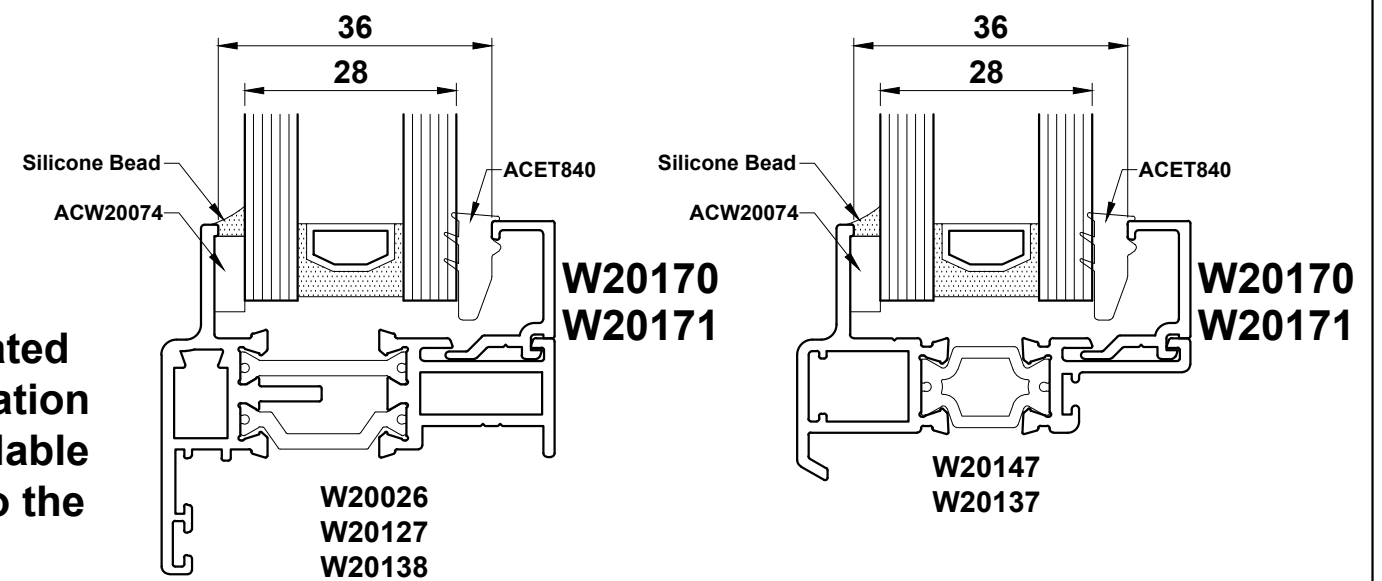
**Gasket Glazed**



**28mm Glazing**  
**Tape Glazed**

**Important Notes:**

- Glazing tape must be coated with silicone after installation
- Tape glazing is only available for the sections shown to the right



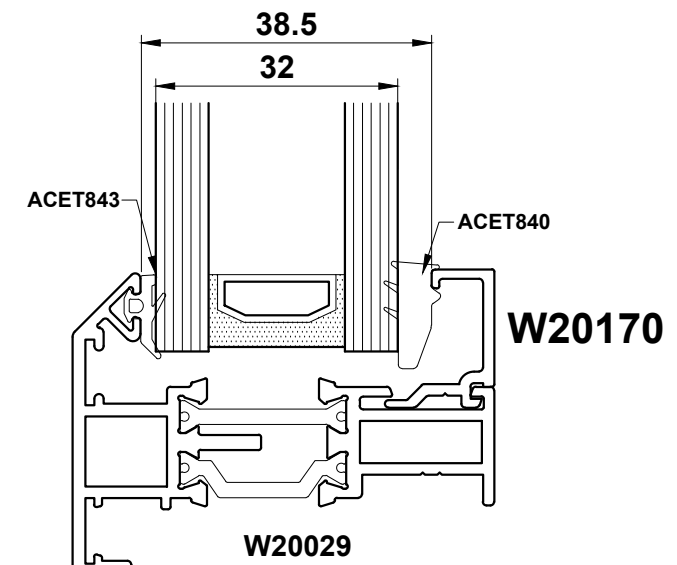
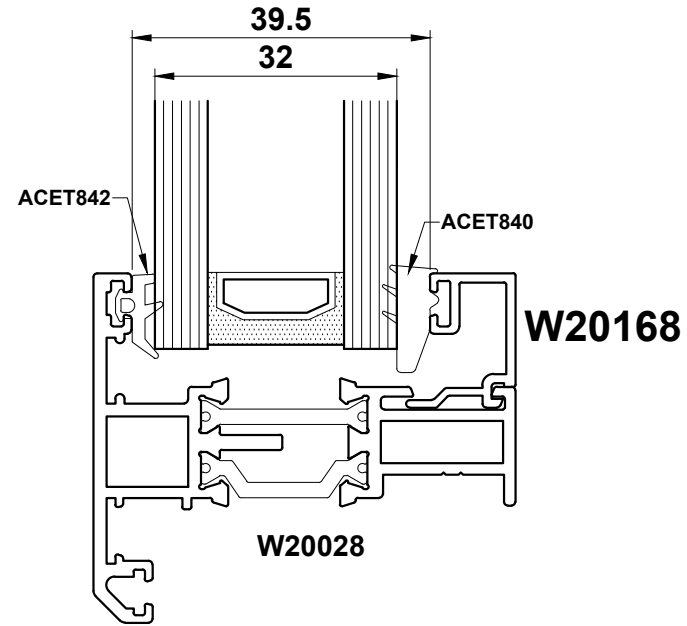
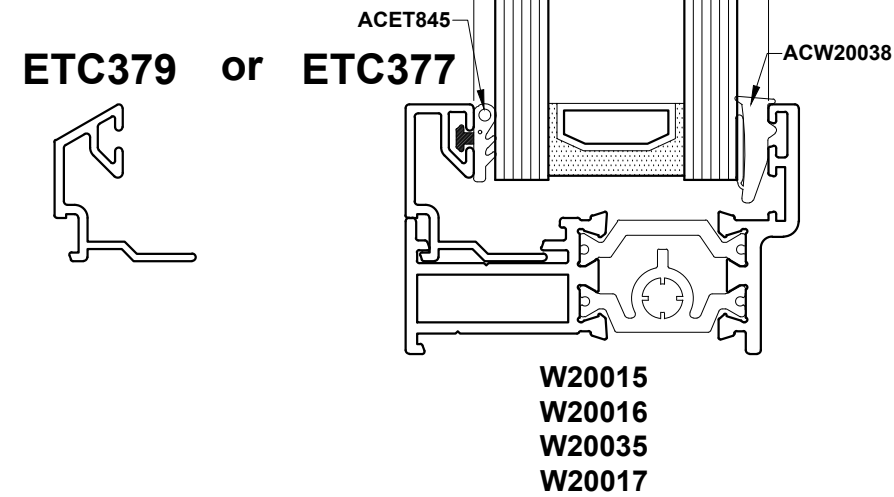
Do Not Scale From This Drawing

**Glazing Chart**

**32mm Glazing**

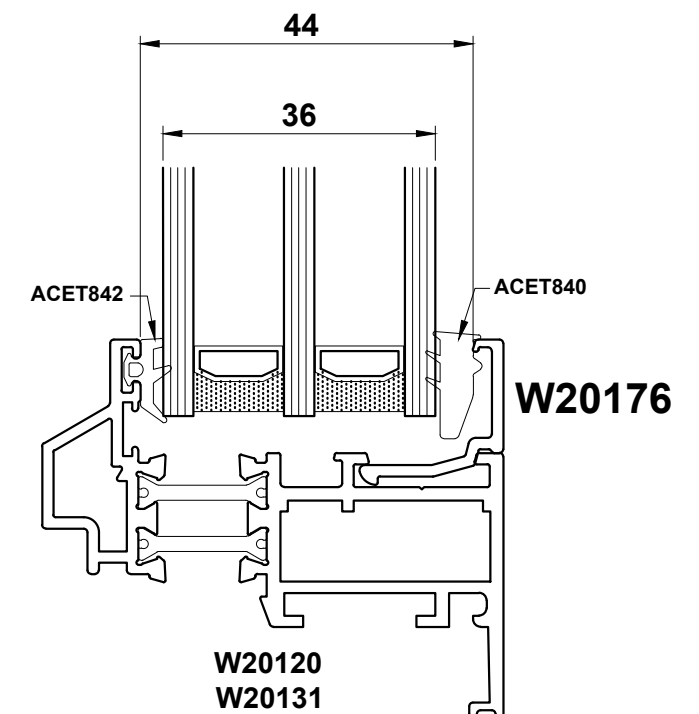
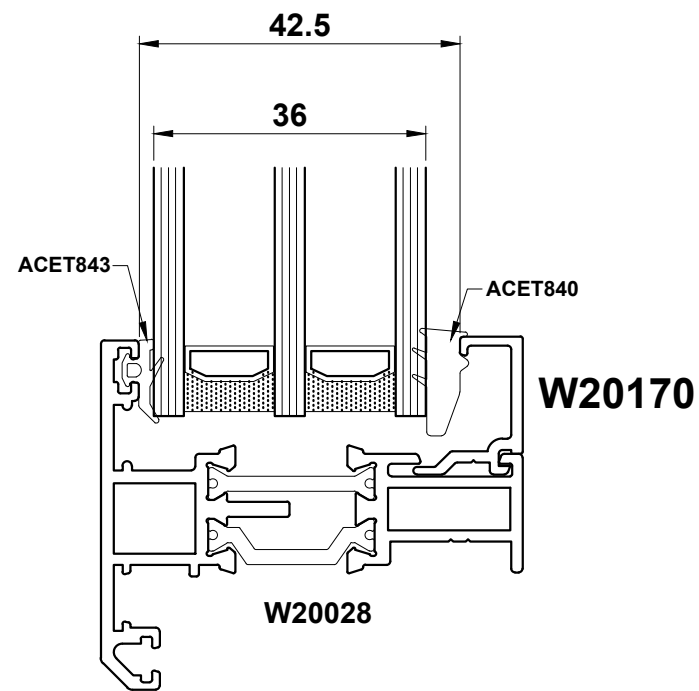
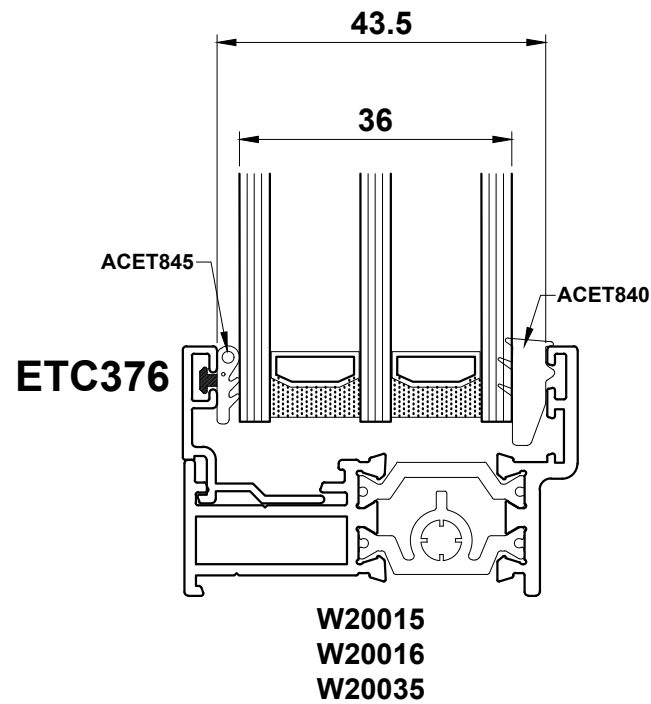
Gasket Glazed

**Important Note: 32mm & 36mm glazing is compatible with the below sections only.**



**36mm Glazing**

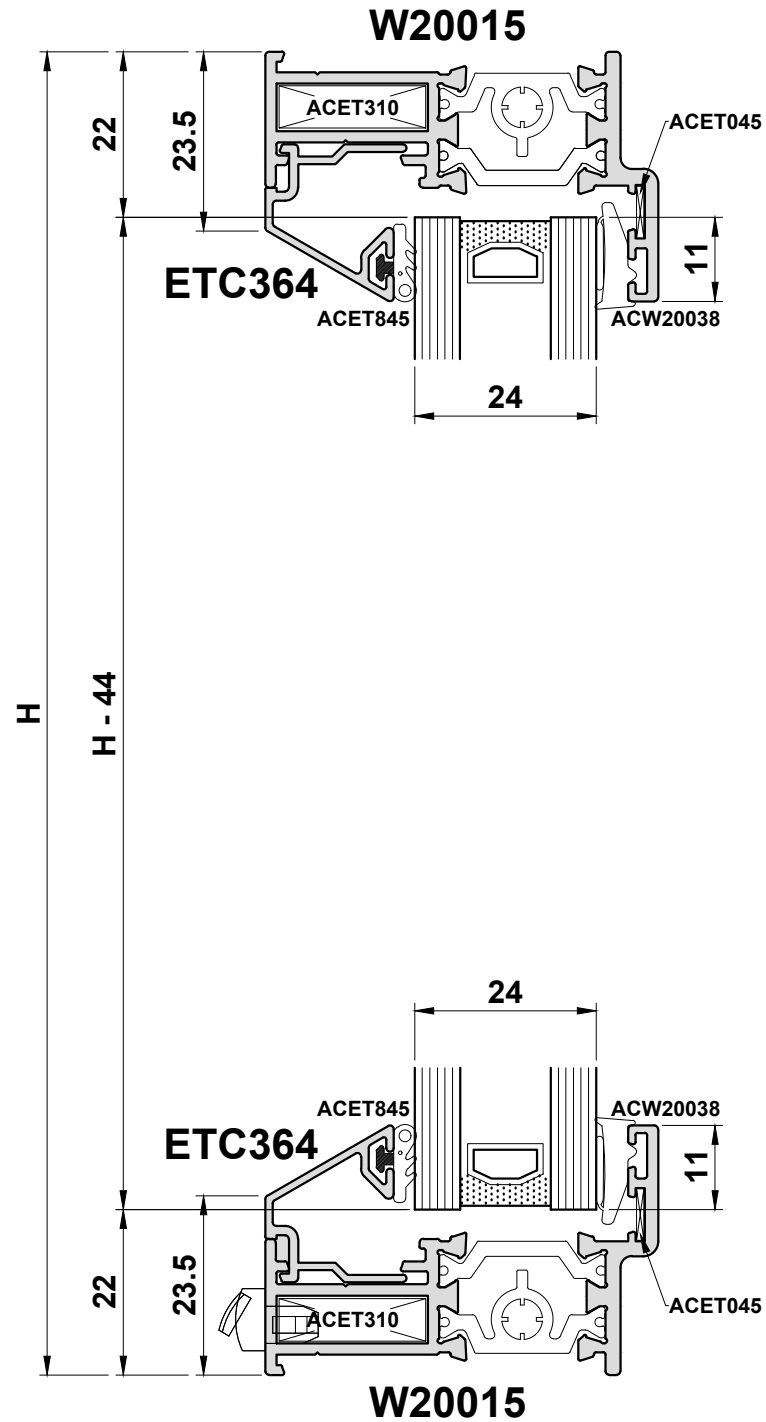
Gasket Glazed



**We recommend the use of Black Spacer Bar in the sealed units**

Do Not Scale From This Drawing

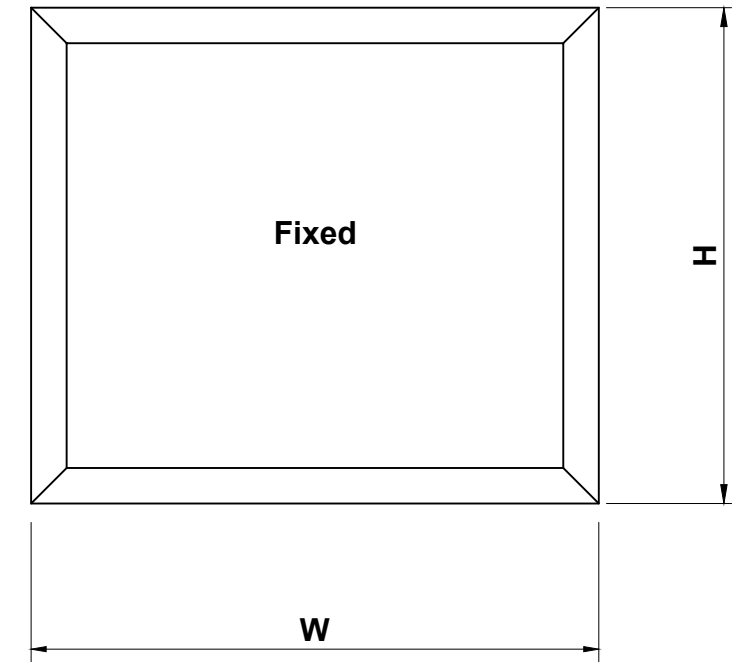
Cutting Information - Fixed Light Frame - Equal Leg W20015



Sections

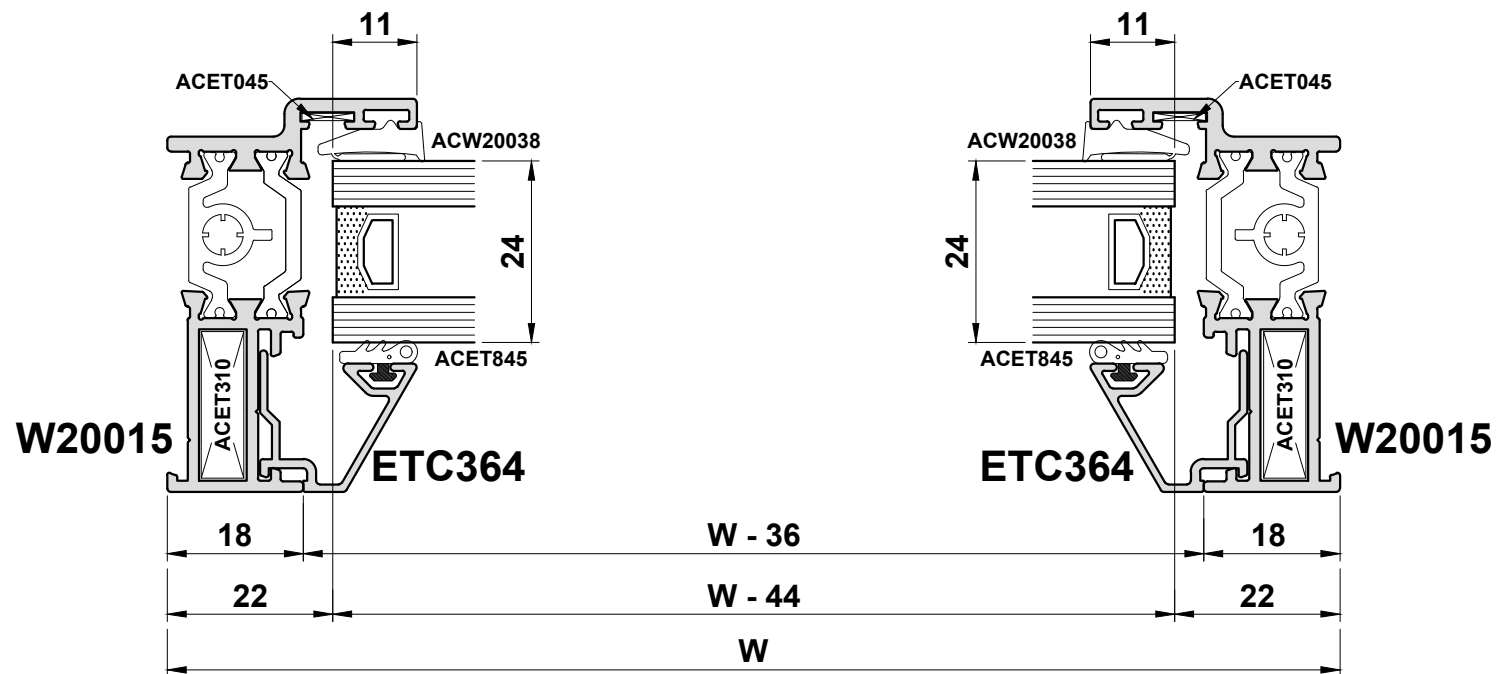
W20015		2		H
W20015		2		W
ETC364		2		W-36
ETC364		2		H-47

<b>Glass</b>
W - 44
H - 44



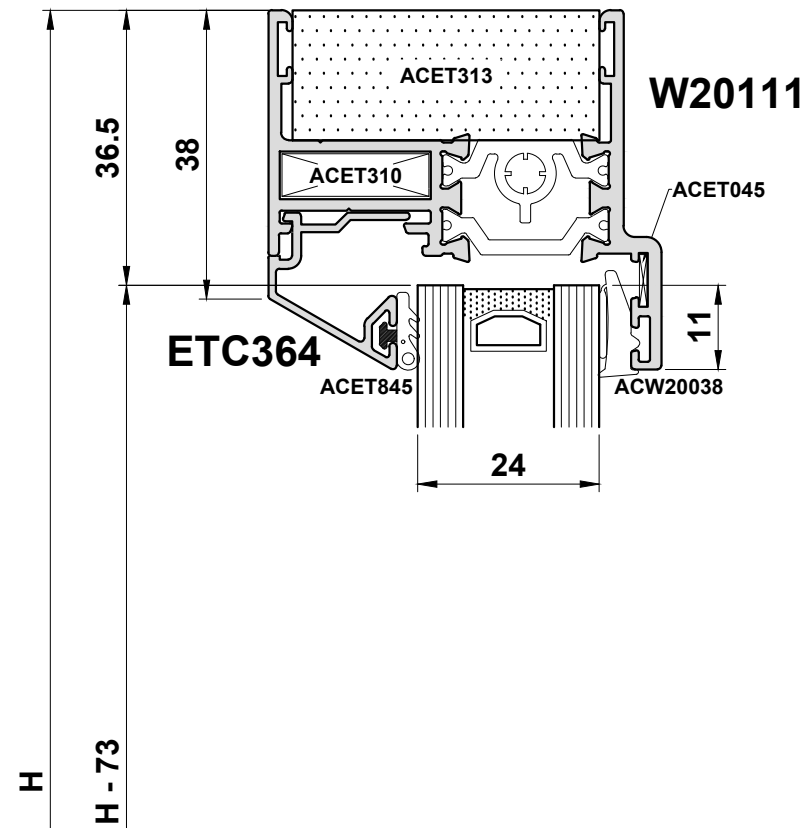
Accessories

ACET045	4	Chevron
ACET310	4	Cleat Outerframe
ACET845	2(W+H)	E Gasket
ACW20038	2(W+H)	Wedge Gasket
ACGSL045	2	Drainage Cap



Do Not Scale From This Drawing

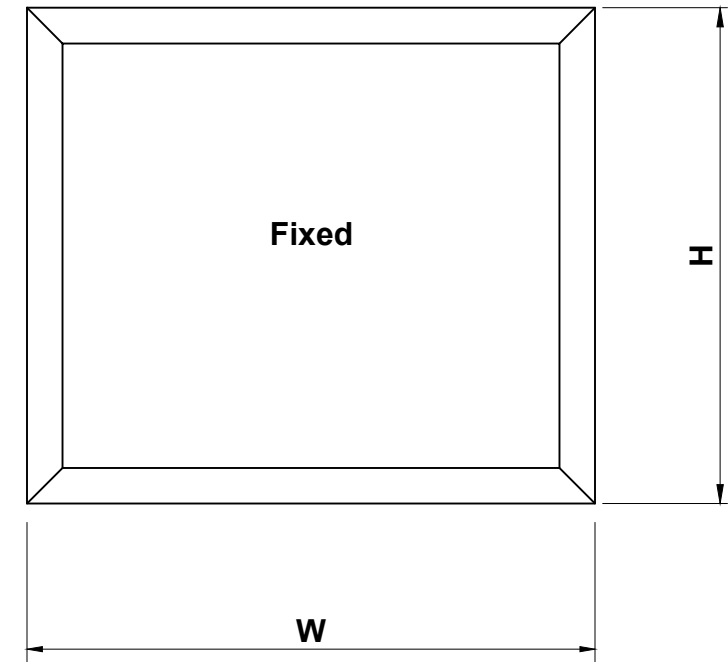
**Cutting Information - Fixed Light Frame - Long Leg W20111**



**Sections**

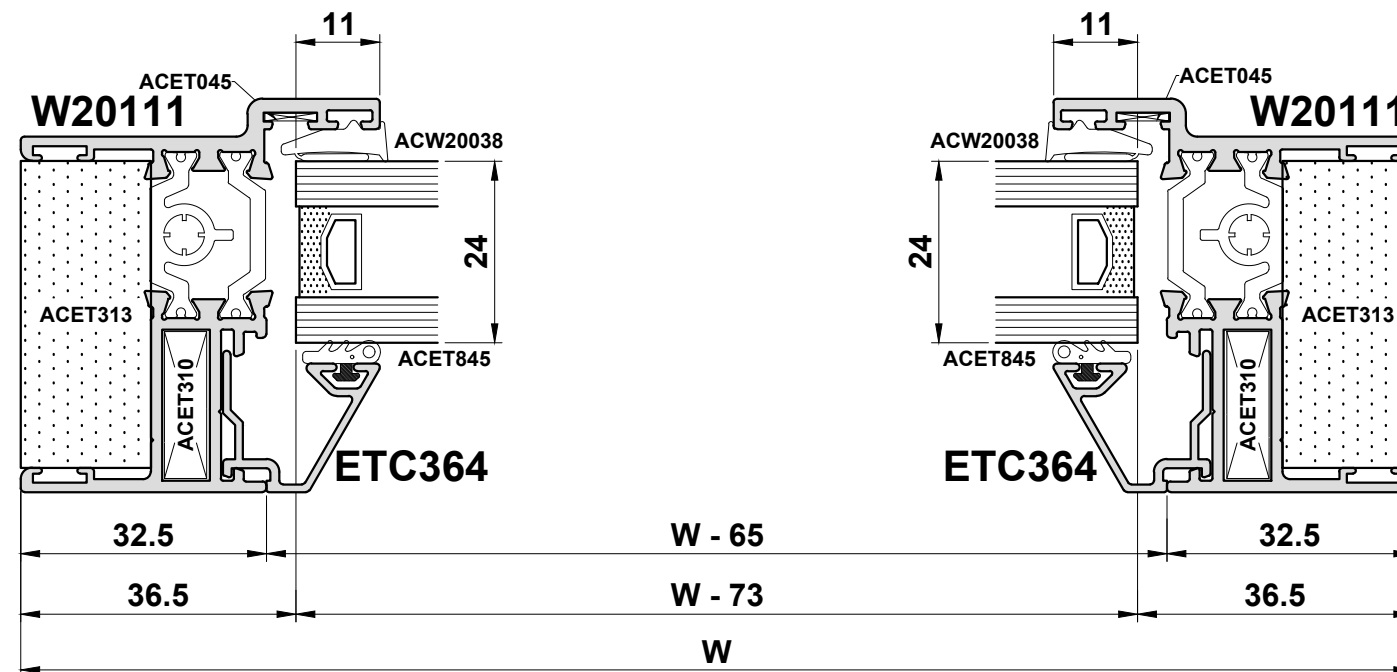
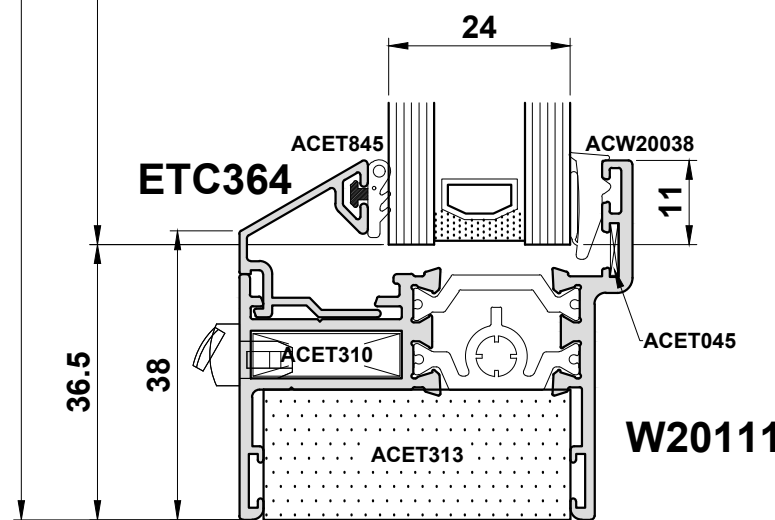
W20111		2		H
W20111		2		W
ETC364		2		W-65
ETC364		2		H-76

<b>Glass</b>
W - 73
H - 73



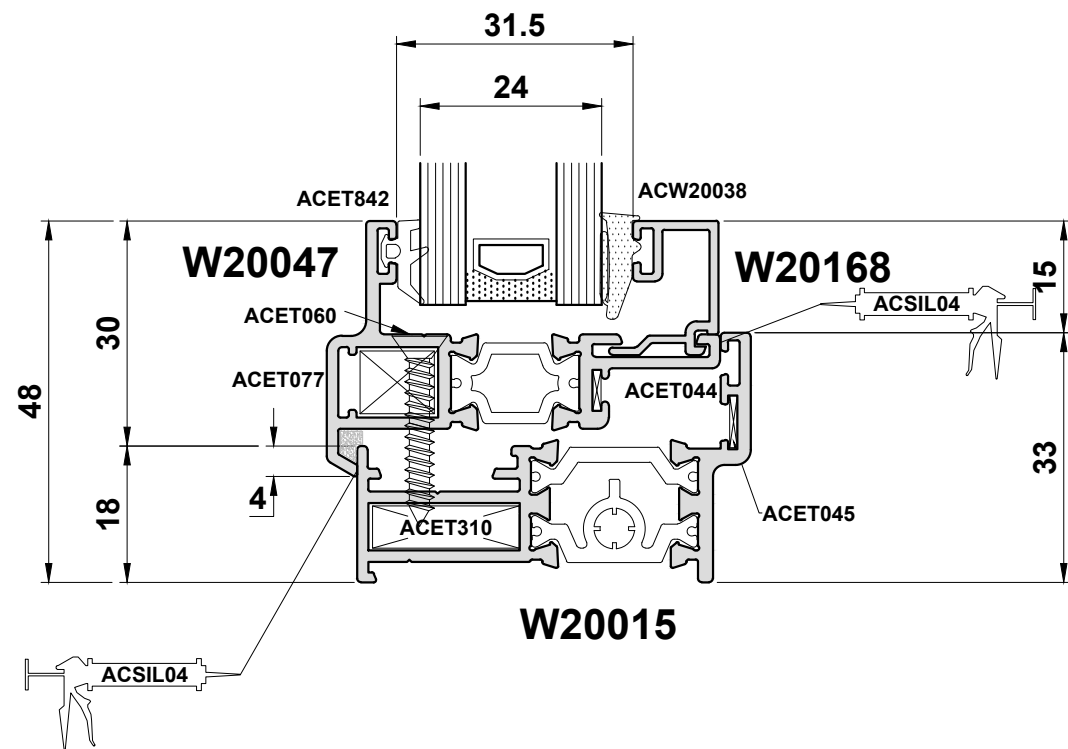
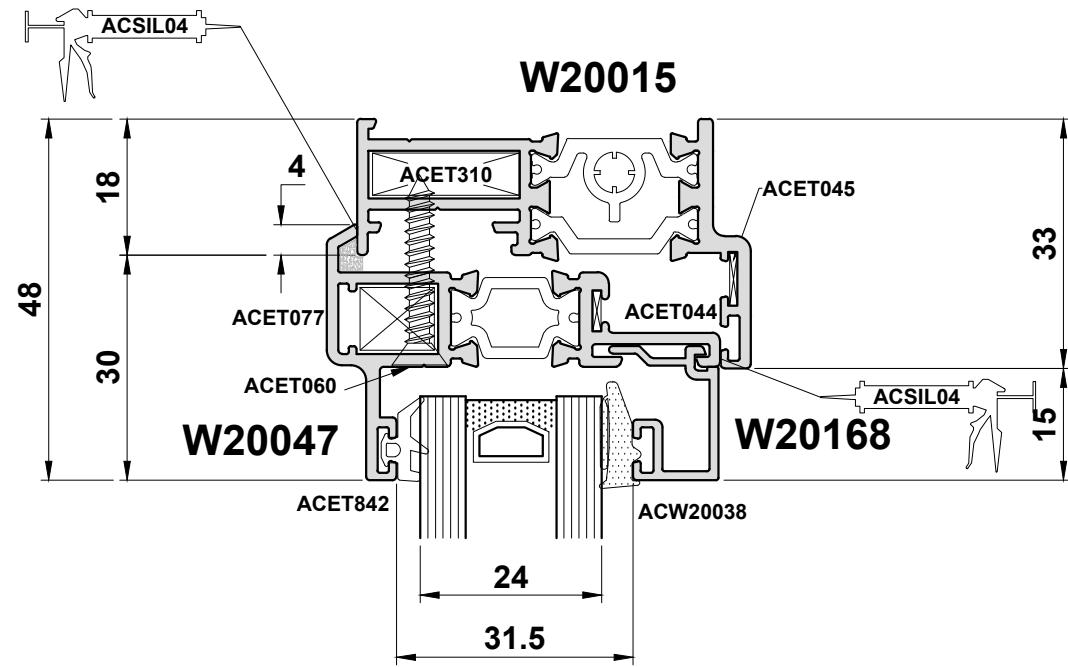
**Accessories**

ACET045	4	Chevron
ACET310	4	Cleat Outerframe
ACET845	2(W+H)	E Gasket
ACW20038	2(W+H)	Wedge Gasket
ACGSL045	2	Drainage Cap
ACET313	2H + 2W	Outerframe Foam



Do Not Scale From This Drawing

**Cutting Information - Fixed Light Frame - With Reverse Adaptor**



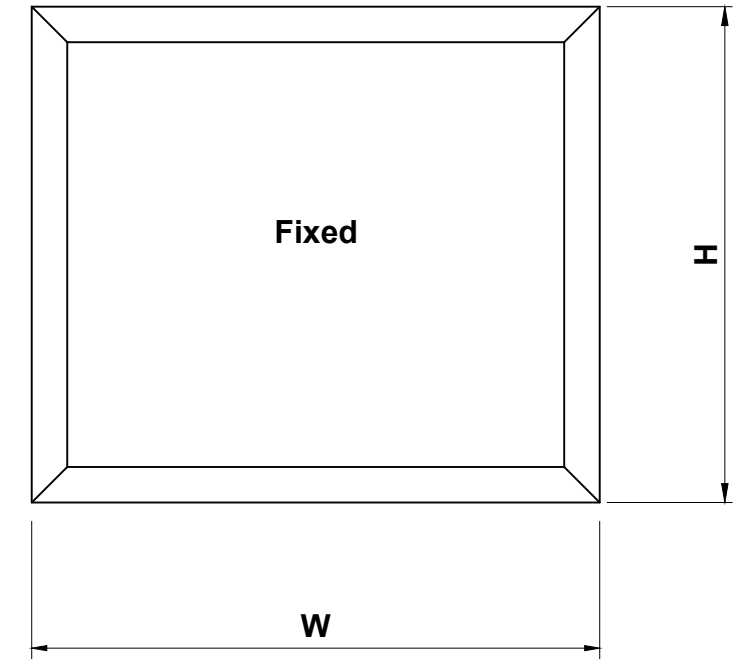
**Sections**

W20015		2		H
W20015		2		W
Bead		2		W-66
Bead		2		H-96
W20047		2		W-28
W20047		2		H-28

**Accessories**

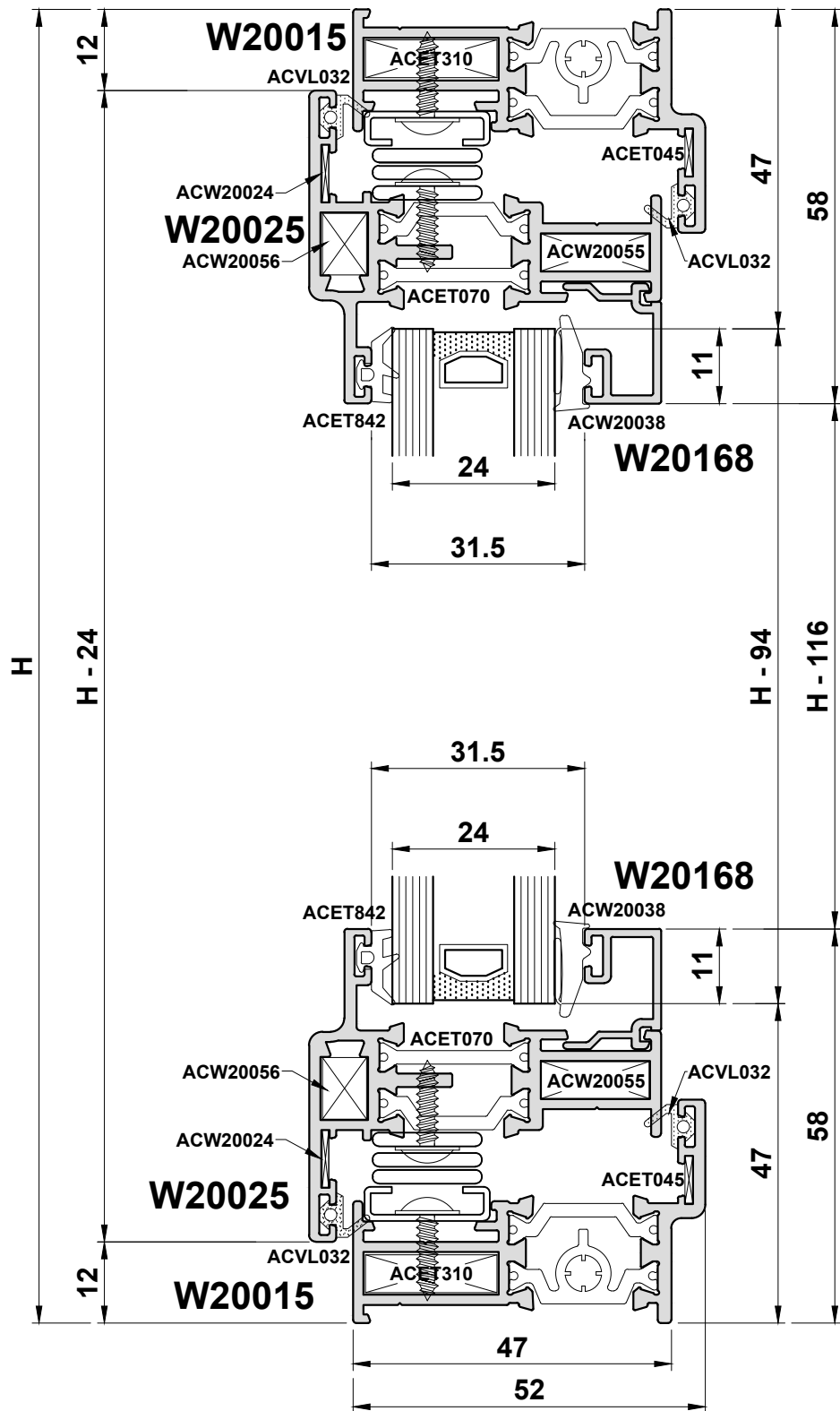
ACET044	4	Stainless Steel : Chevron
ACET045	4	Stainless Steel : Chevron
ACET077	4	Corner Cleat
ACET310	4	Outerframe : Cleat
ACET393	8 +	Packer
ACET842	2(W+H)	E Gasket
ACGSL045	2	Drainage Cap
ACW20038	2(W+H)	Wedge Gasket

Glass
W - 73
H - 73



Do Not Scale From This Drawing

Cutting Information - Vent Frame using W20015 Outer Frame and W20025 Vent



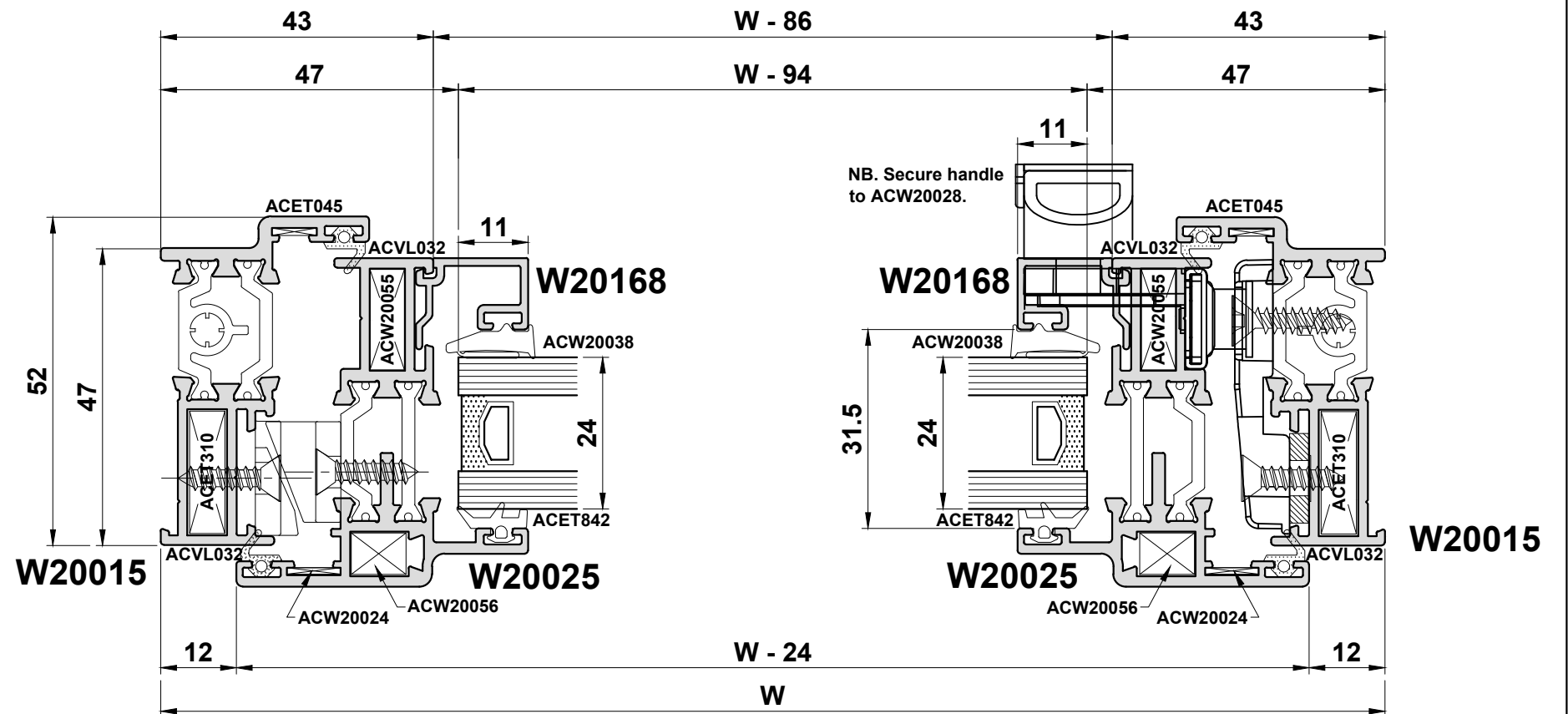
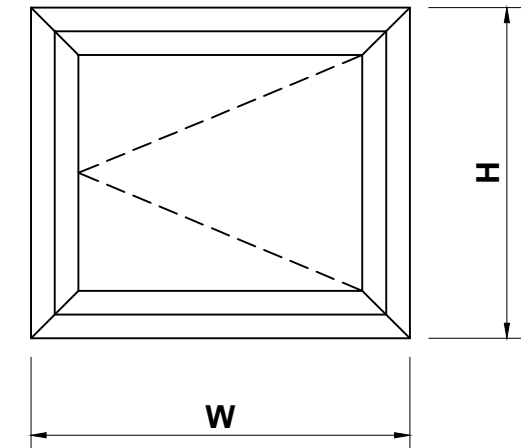
Sections

W20015		2		H
W20015		2		W
W20025		2		H-24
W20025		2		W-24
W20168		2		W-86
W20168		2		H-116

Accessories

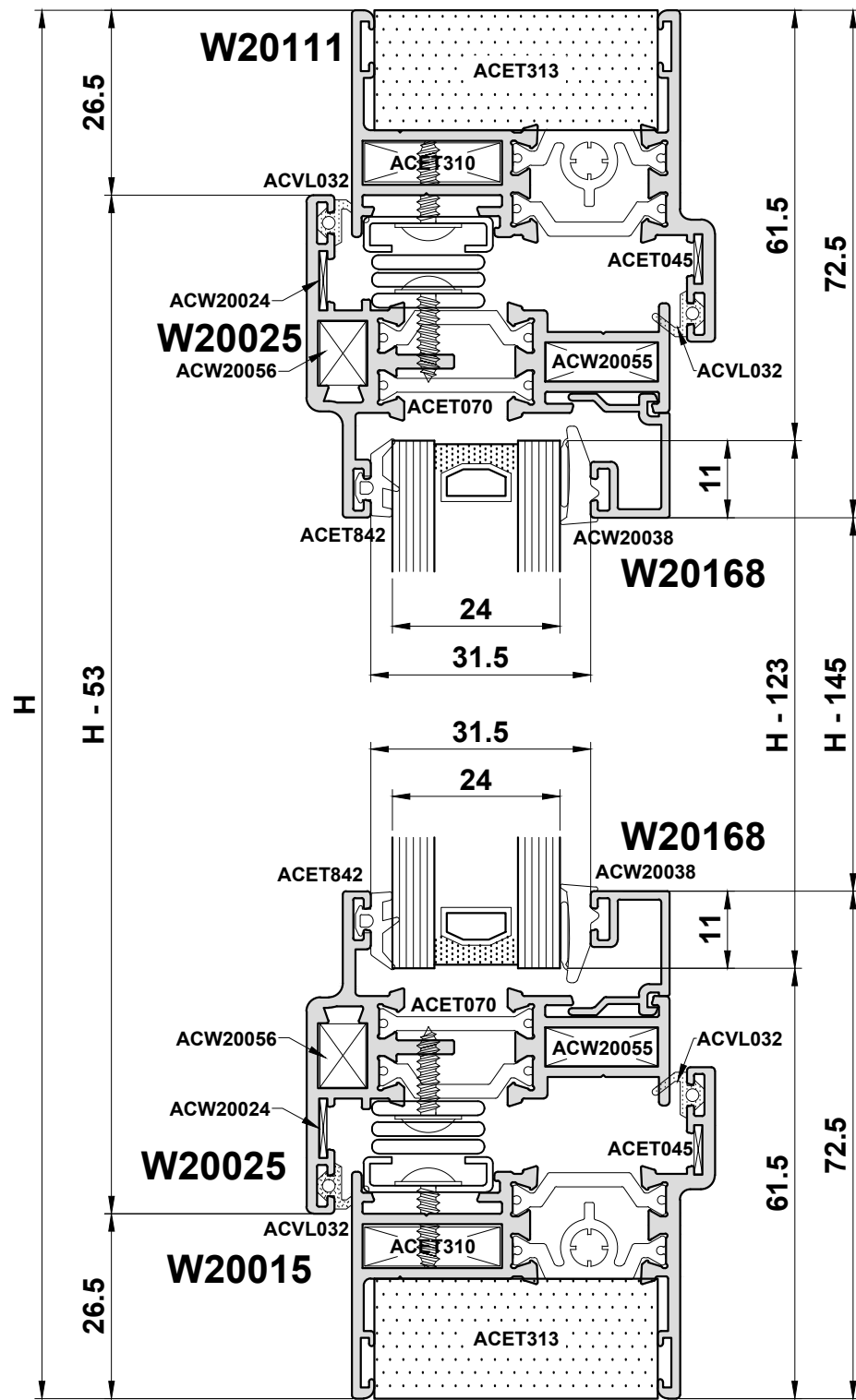
ACET045	4	Chevron
ACET165	1	Espag Locking Handle
ACET310	4	Cleat Outerframe
ACET352	2 Pairs	Pull-in Blocks
ACET380	1	Run-up Block
ACET394	8	Keep & Stay Packer
ACET513	1	Cavity Hinge Protector
ACET842	2(W+H)	Gasket E
ACGSL045	2	Drainage Cap
ACIN****	2	Friction Stay / Hinge
ACVL032	4(W+H)	Flipper Gasket
ACW20*	1	Reverse Locking Espag
ACW20024	4	Chevron
ACW20028	1	Handle Fixing Block
ACW20038	2(W+H)	Wedge Gasket
ACW20055	4	Cleat Ventframe
ACW20056	4	Cleat Ventframe

Glass
W - 94
H - 94



Do Not Scale From This Drawing

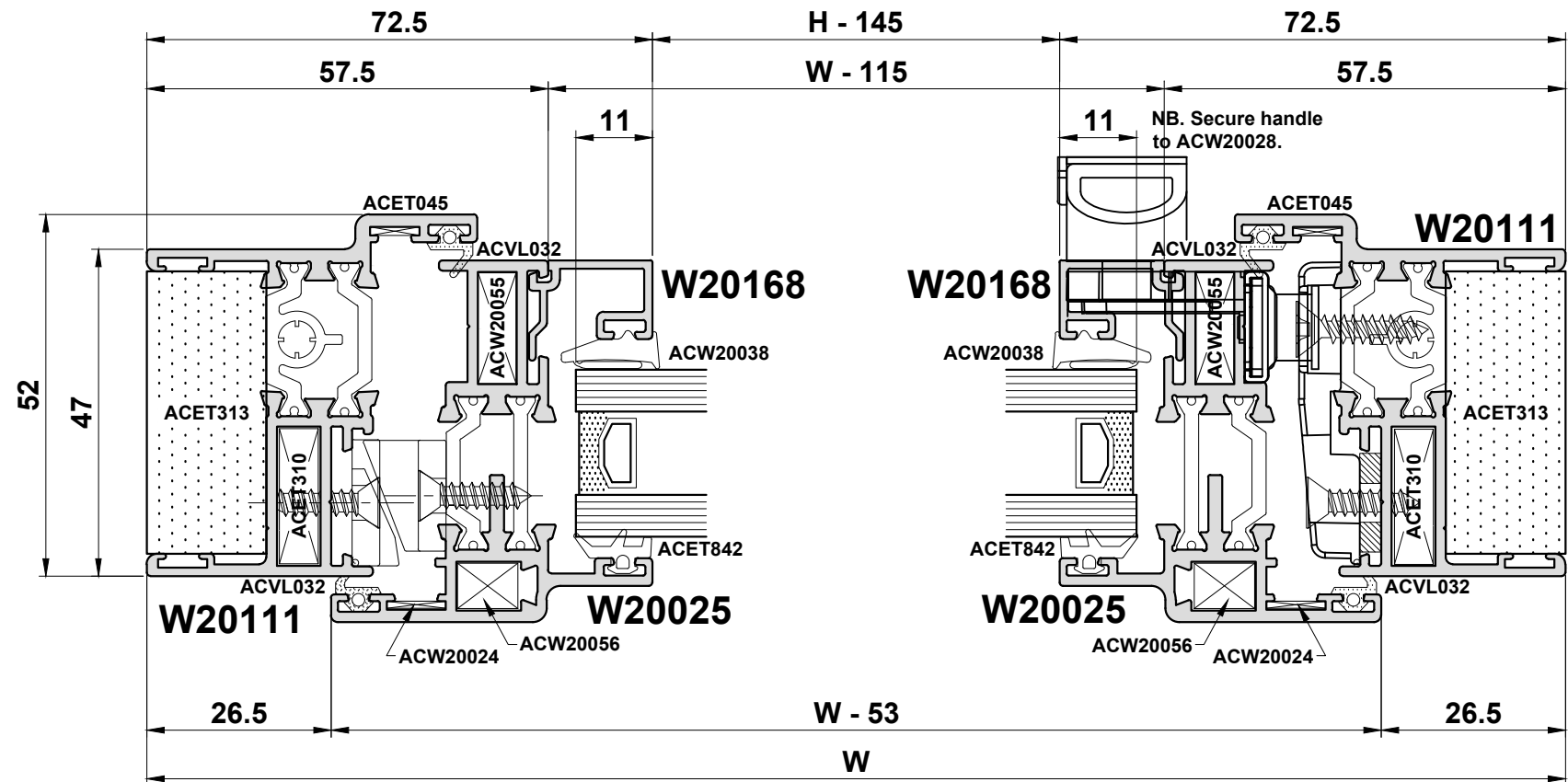
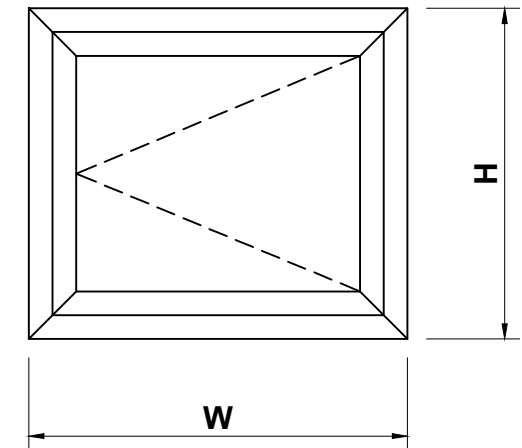
Cutting Information - Vent Frame using W20111 Outer Frame and W20025 Vent



Sections				
W20111		2		H
W20111		2		W
W20025		2		H-53
W20025		2		W-53
W20168		2		W-115
W20168		2		H-145

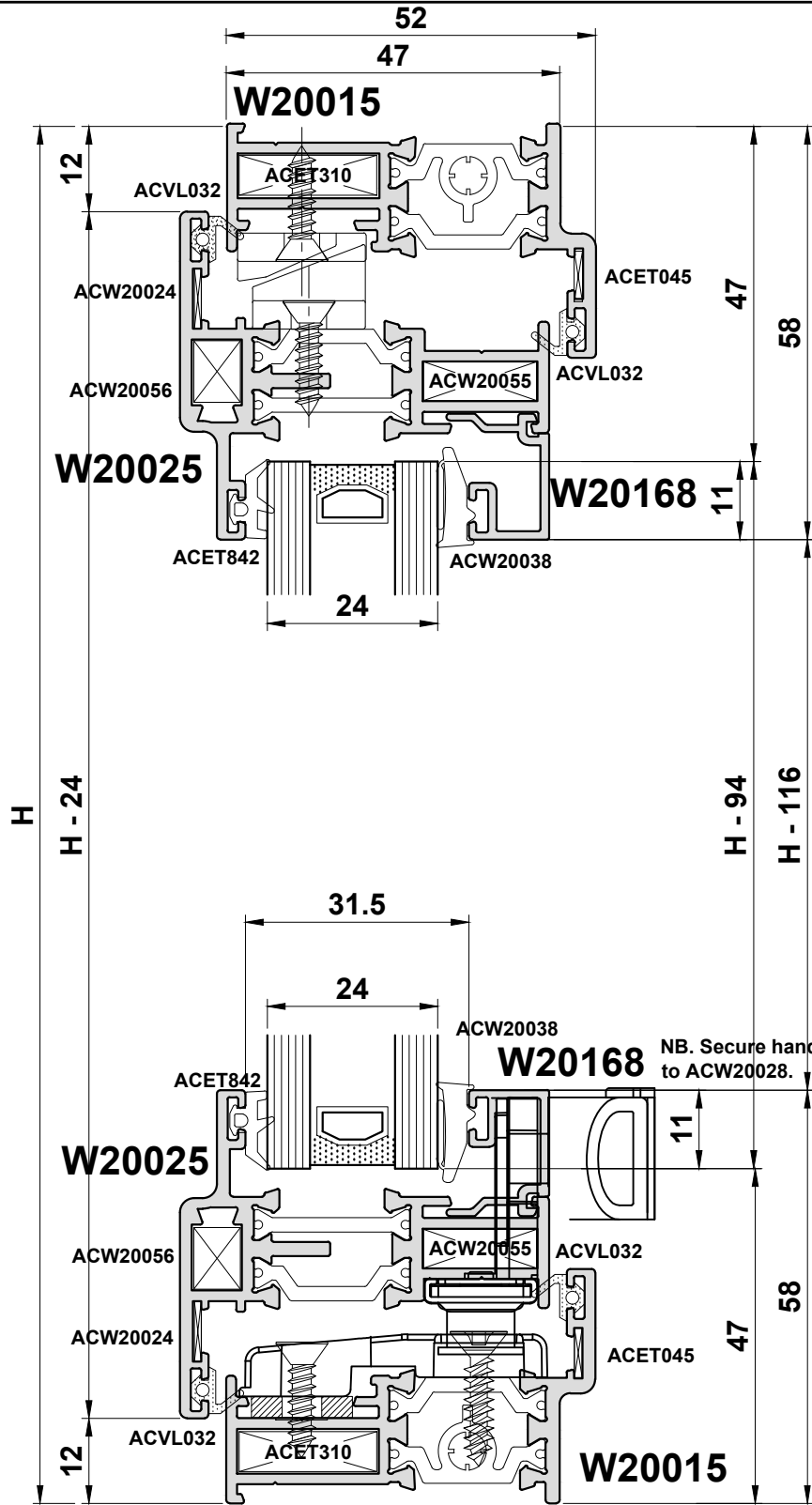
Accessories		
ACET045	4	Chevron
ACET165	1	Espag Locking Handle
ACET310	4	Cleat Outerframe
ACET352	2 Pairs	Pull-in Blocks
ACET380	1	Run-up Block
ACET394	8	Keep & Stay Packer
ACET513	1	Cavity Hinge Protector
ACET842	2(W+H)	Gasket E
ACGSL045	2	Drainage Cap
ACIN****	2	Friction Stay / Hinge
ACVL032	4(W+H)	Flipper Gasket
ACW20*	1	Reverse Locking Espag
ACW20024	4	Chevron
ACW20028	1	Handle Fixing Block
ACW20038	2(W+H)	Wedge Gasket
ACW20055	4	Cleat Ventframe
ACW20056	4	Cleat Ventframe
ACET313	2H + 2W	Outerframe Foam

Glass	
W - 123	
H - 123	



Do Not Scale From This Drawing

**Cutting Information - Vent Frame using W20015 Outer Frame and W20025 Vent**



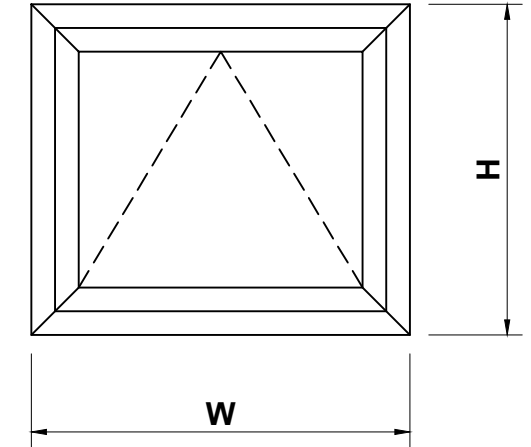
**Sections**

W20015		2		H
W20015		2		W
W20025		2		H-24
W20025		2		W-24
W20168		2		W-86
W20168		2		H-116

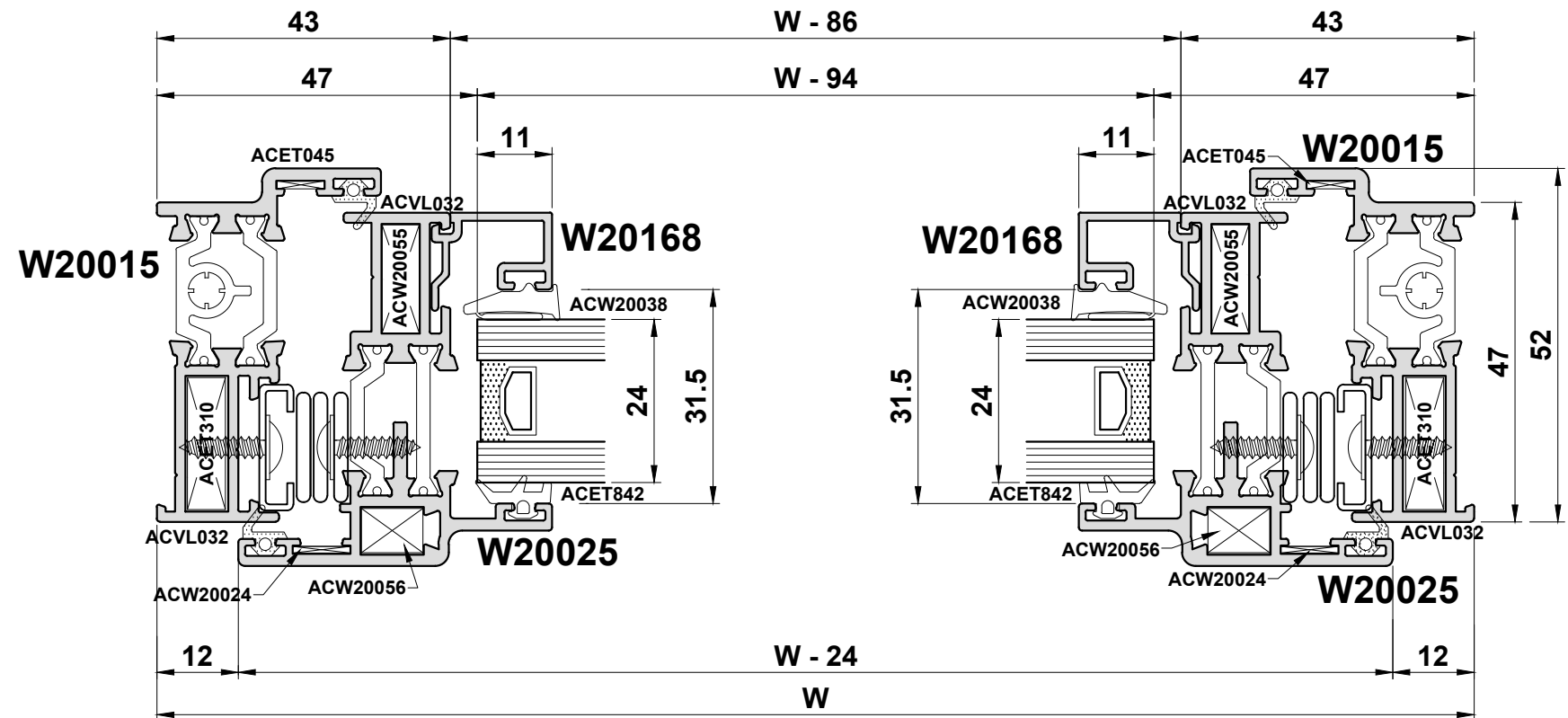
**Accessories**

ACET045	4	Chevron
ACET165	1	Espag Locking Handle
ACET380	1	Run-up Block
ACET394	8	Keep & Stay Packer
ACET513	1	Cavity Hinge Protector
ACET842	2(W+H)	Gasket E
ACGSL045	2	Drainage Cap
ACIN****	2	Friction Stay / Hinge
ACVL032	4(W+H)	Flipper Gasket
ACW20*	1	Reverse Locking Espag
ACW20024	4	Chevron
ACW20028	1	Handle Fixing Block
ACW20038	2(W+H)	Wedge Gasket
ACW20055	4	Cleat Ventframe
ACW20056	4	Cleat Ventframe
ACET310	4	Cleat Outerframe

Glass
W - 94
H - 94



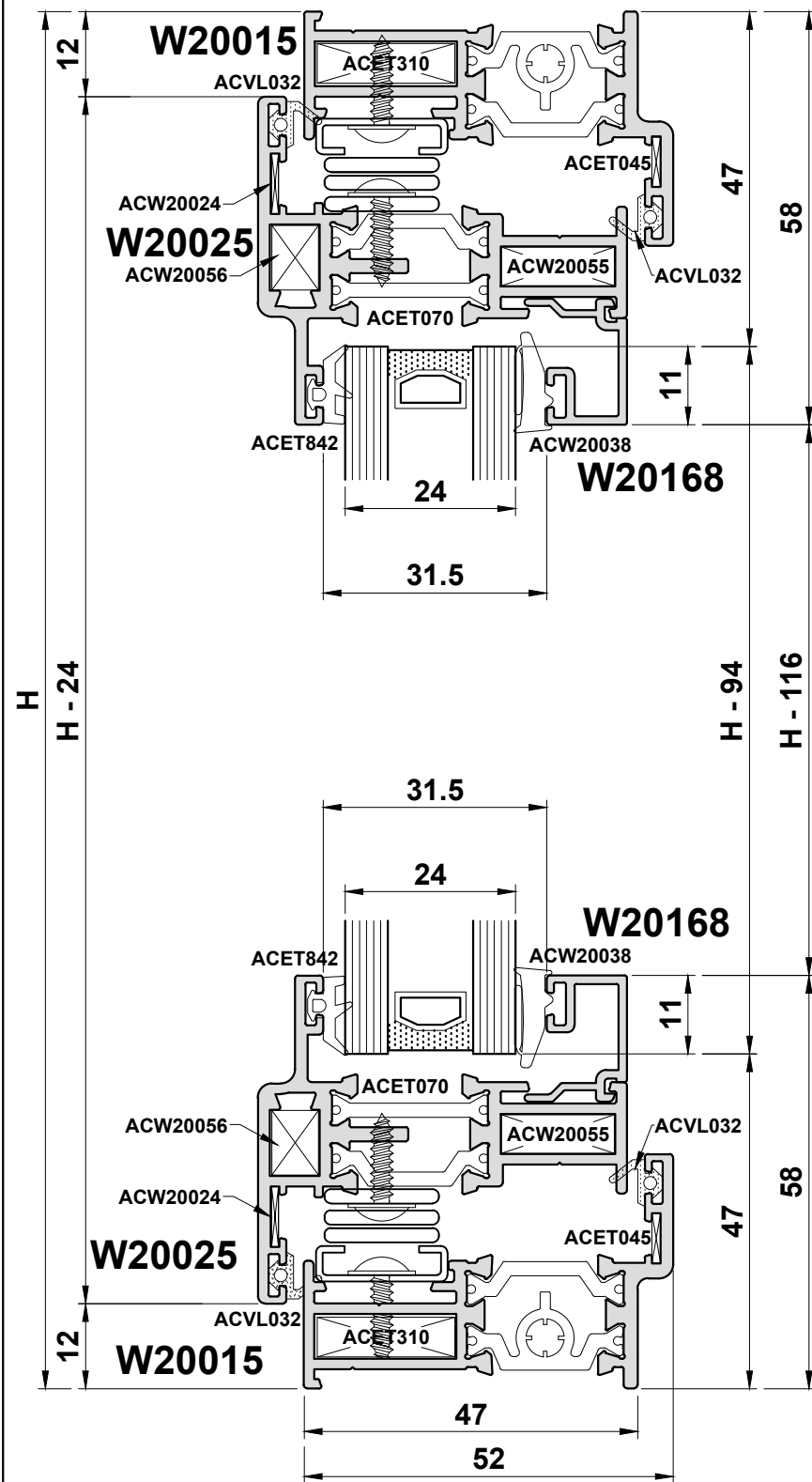
NB. Secure handle to ACW20028.



Do Not Scale From This Drawing



Cutting Information - Opening Vent adjacent to Fixed Light



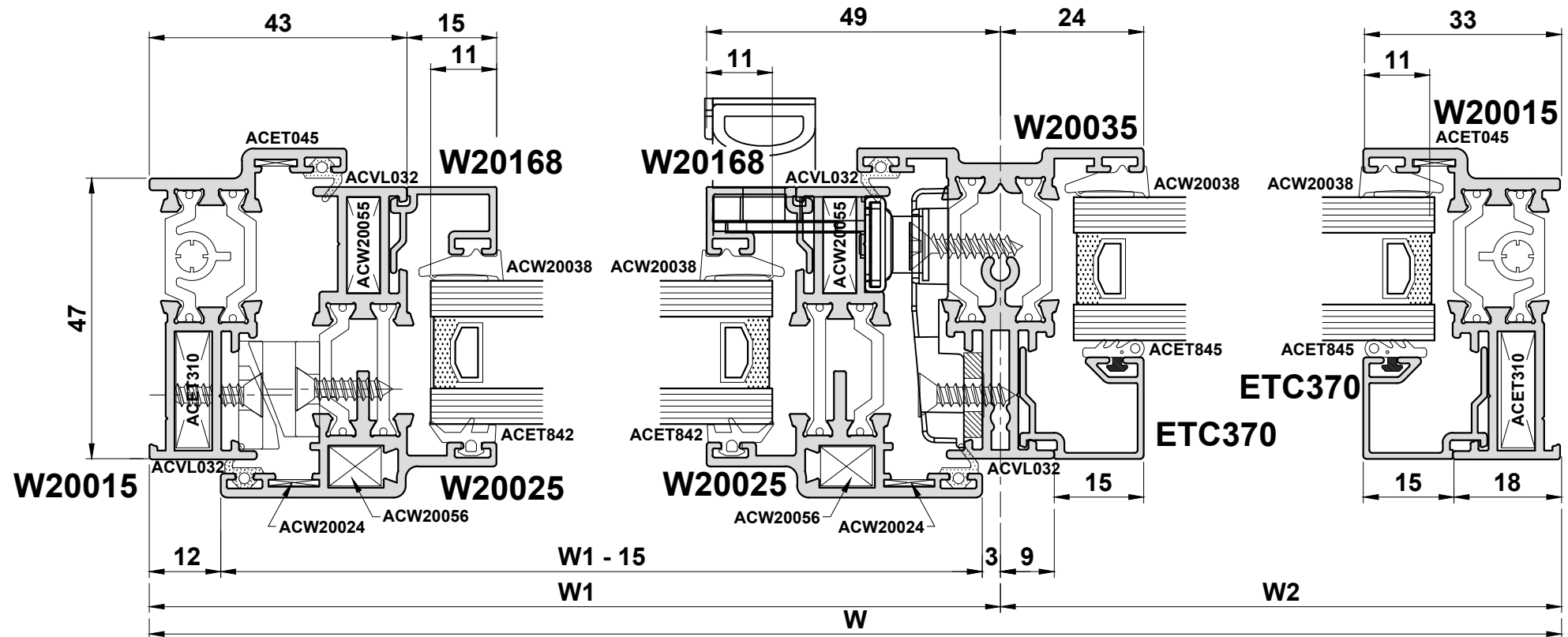
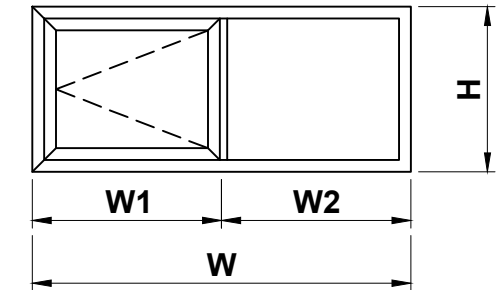
Profiles

W20015		2		H
W20015		2		W
W20025		2		H - 24
W20025		2		W1 - 15
W20035		1		H - 36
W20168		2		H - 116
ETC370		2		H - 66
W20168		2		W1 - 77
ETC370		2		W2 - 27

Accessories

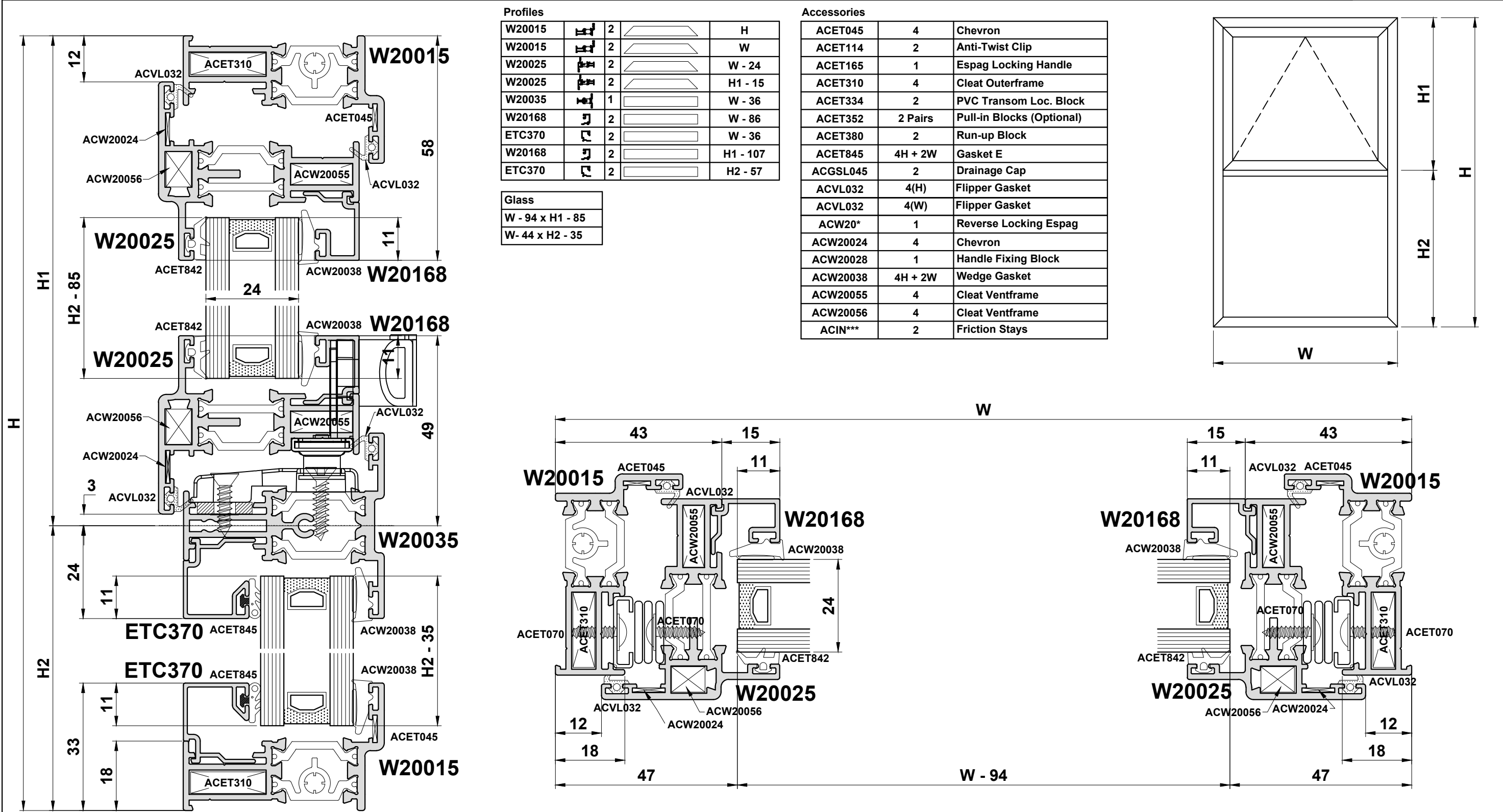
ACET045	4	Chevron
ACET114	2	Anti-Twist Clip
ACET165	1	Espag Locking Handle
ACET310	4	Cleat Outerframe
ACET352	2 Pairs	Pull-in Blocks
ACET380	1	Run-up Block
ACET845	2H + 2W2	Gasket E
ACGSL045	2	Drainage Cap
ACVL032	4(H)	Flipper Gasket
ACVL032	2(W)	Flipper Gasket
ACW20*	1	Reverse Locking Espag
ACW20024	4	Chevron
ACW20028	1	Handle Fixing Block
ACW20038	4H + 2W	Wedge Gasket
ACW20055	4	Cleat Ventframe
ACW20056	4	Cleat Ventframe
ACIN***	2	Friction Stays

Glass	
W1 - 85 x H - 94	
W2 - 35 x H - 44	



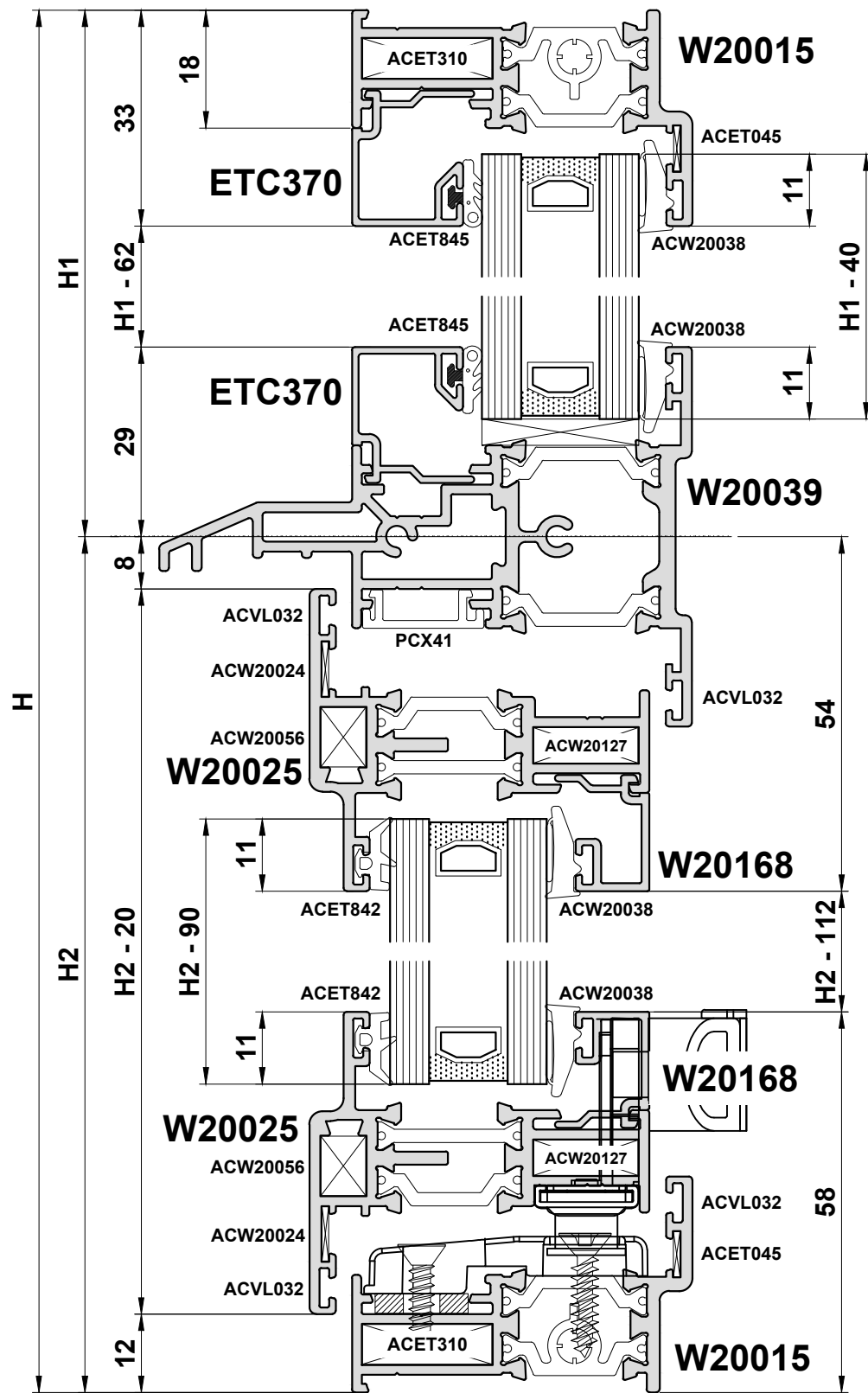
Do Not Scale From This Drawing

Cutting Information - Opening Vent over Fixed Light



Do Not Scale From This Drawing

Cutting Information - Fixed Light over Vent



Profiles

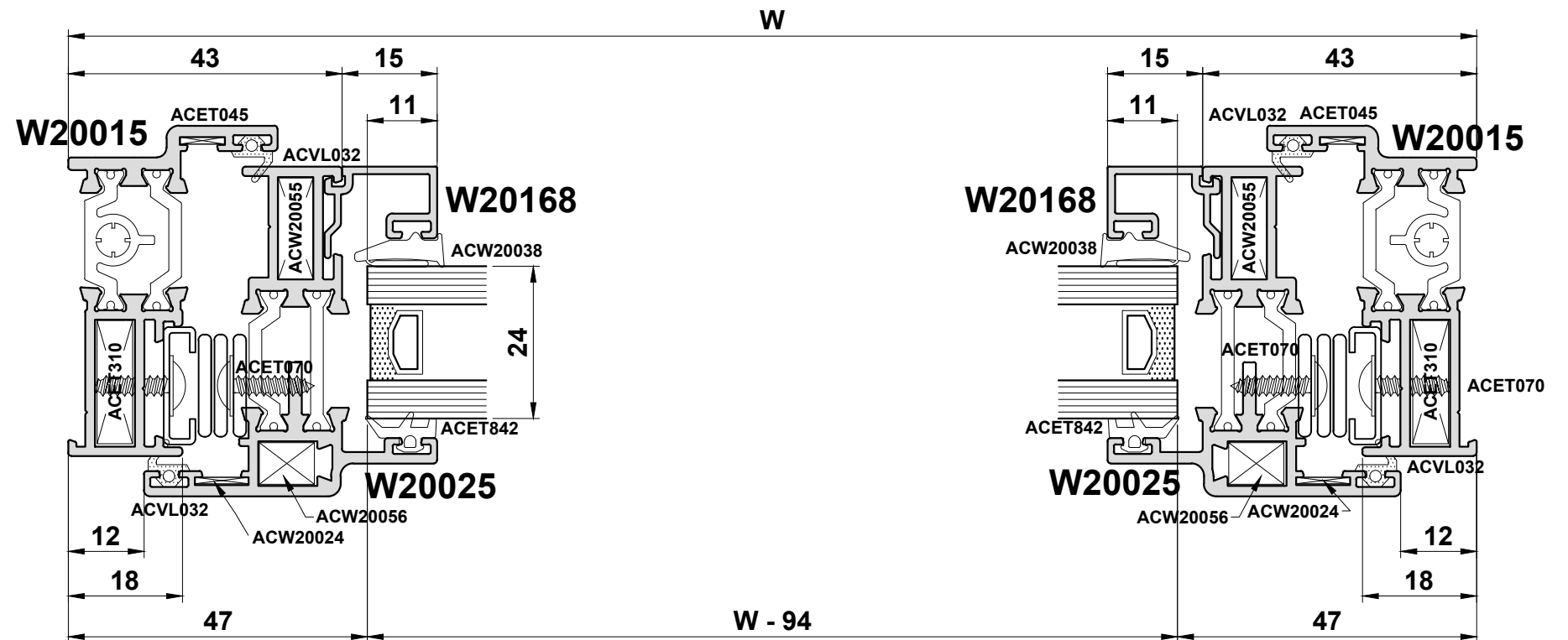
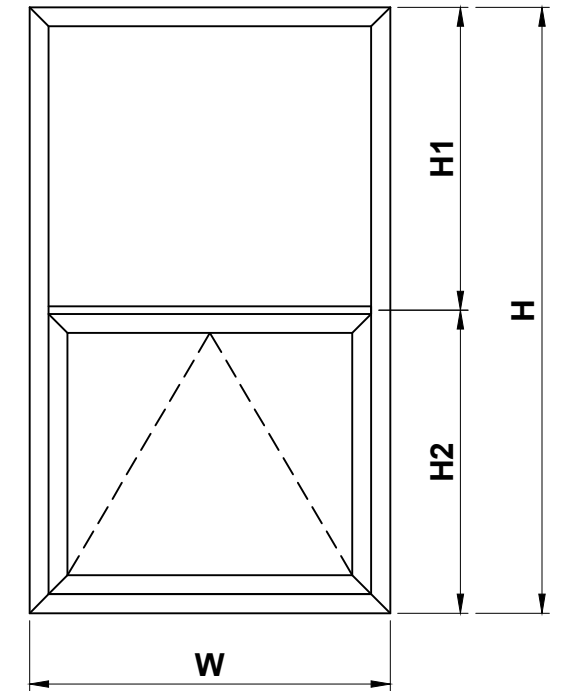
W20015		2		H
W20015		2		W
W20025		2		W - 24
W20025		2		H2 - 20
W20035		1		W - 36
W20168		2		W - 86
ETC370		2		W - 36
W20168		2		H1 - 112
ETC370		2		H2 - 62

Glass

W - 44 x H1 - 40
W - 94 x H2 - 90

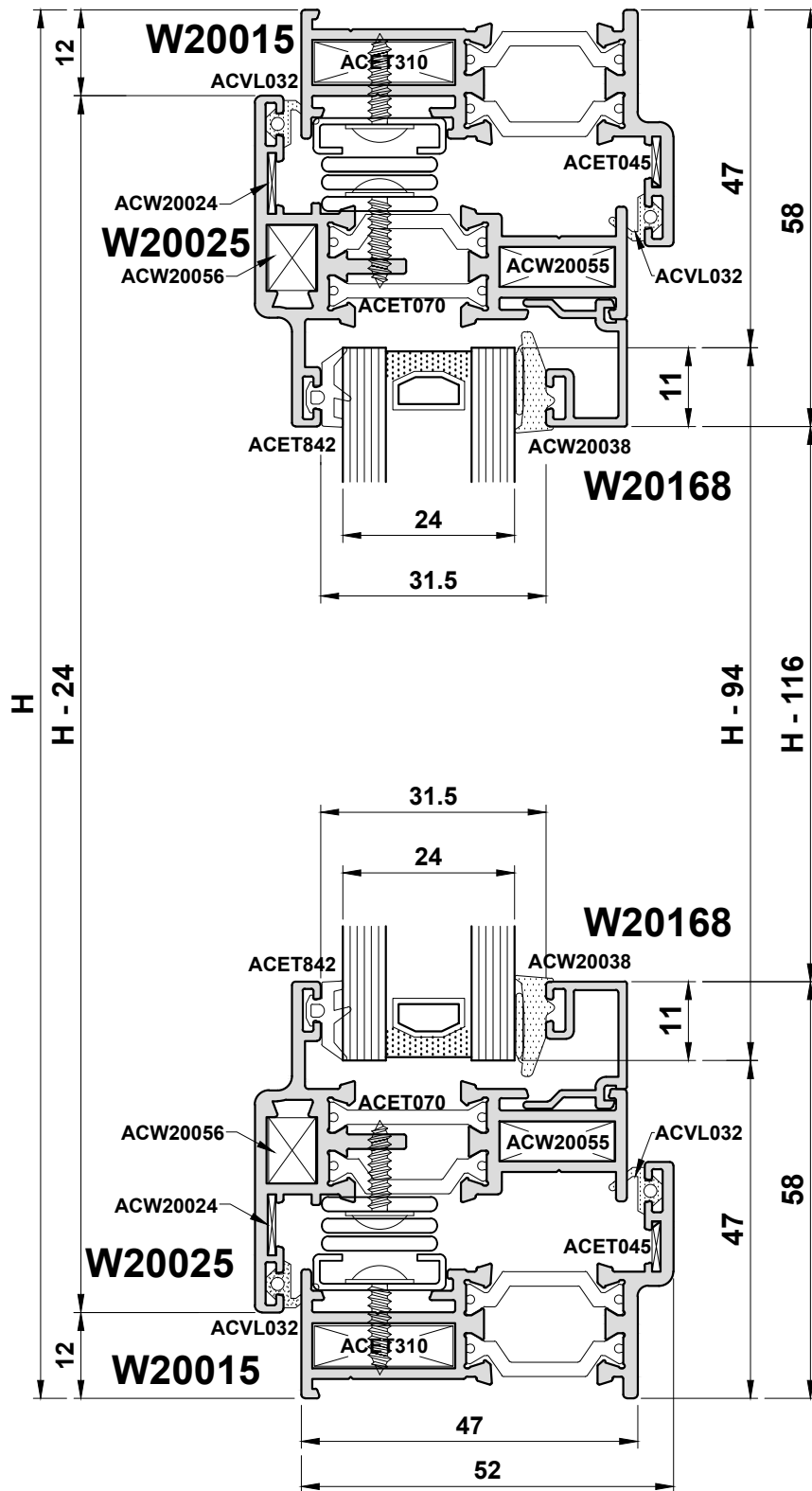
Accessories

ACET045	4	Chevron
ACET114	2	Anti-Twist Clip
ACET165	1	Espag Locking Handle
ACET310	4	Cleat Outerframe
ACET334	2	PVC Transom Loc. Block
ACET352	2 Pairs	Pull-in Blocks (Optional)
ACET380	2	Run-up Block
ACET845	4H + 2W	Gasket E
ACGSL045	2	Drainage Cap
ACVL032	4(H)	Flipper Gasket
ACVL032	4(W)	Flipper Gasket
ACW20*	1	Reverse Locking Espag
ACW20024	4	Chevron
ACW20028	1	Handle Fixing Block
ACW20038	4H + 2W	Wedge Gasket
ACW20055	4	Cleat Ventframe
ACW20056	4	Cleat Ventframe
ACIN***	2	Friction Stays
ACW20039	1 Pair	W20039 End Caps



Do Not Scale From This Drawing

Cutting Information - Opening Vent adjacent to Opening Vent



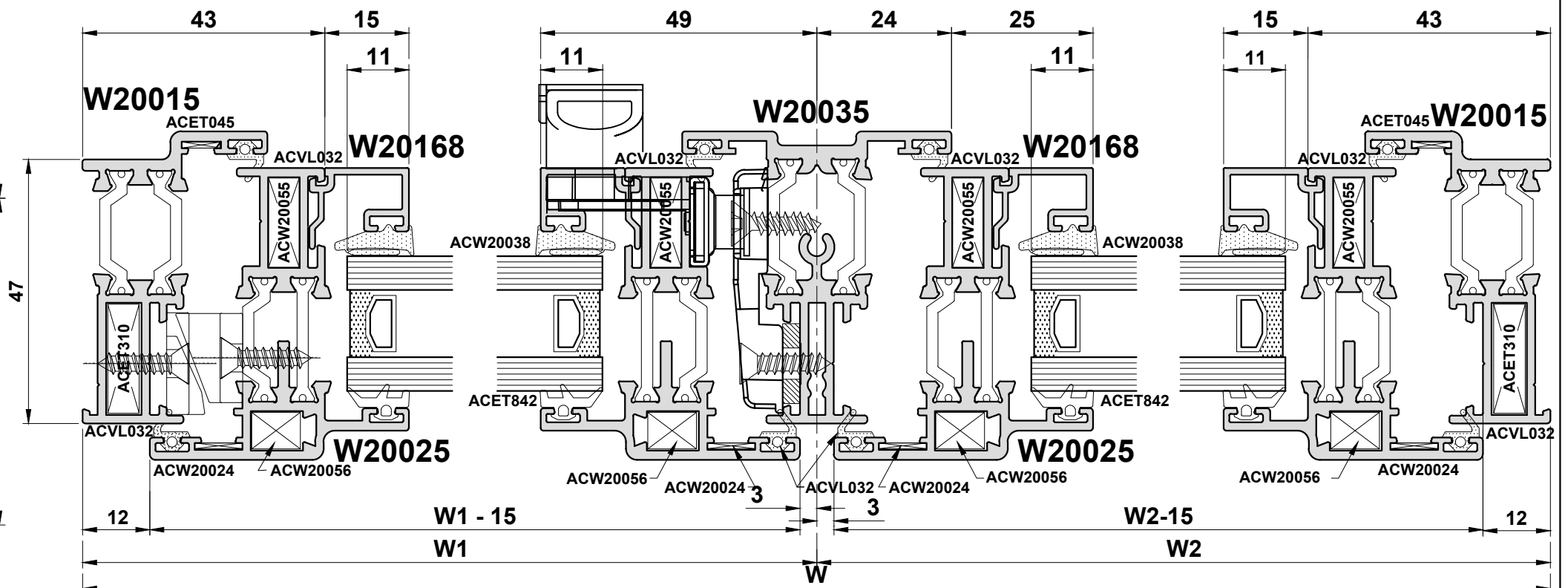
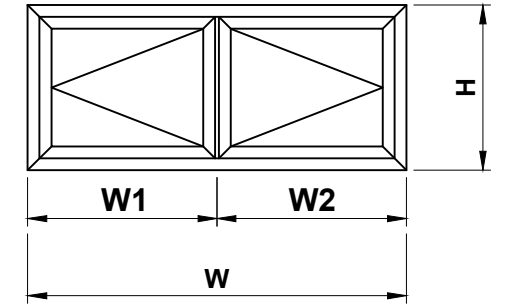
Profiles

W20015		2		H
W20015		2		W
W20025		4		H - 24
W20025		2		W1 - 15
W20025		2		W2 - 15
W20035		1		H - 36
W20168		4		H - 116
W20168		2		W1 - 77
W20168		2		W2 - 77

Accessories

ACET045	4	Chevron
ACET114	2	Anti-Twist Clip
ACET165	2	Espag Locking Handle
ACET310	4	Cleat Outerframe
ACET352	4 Pairs	Pull-in Blocks
ACET380	2	Run-up Block
ACGSL045	2	Drainage Cap
ACVL032	4(H)	Flipper Gasket
ACVL032	4(W)	Flipper Gasket
ACW20*	2	Reverse Locking Espag
ACW20024	8	Chevron
ACW20028	2	Handle Fixing Block
ACW20038	4H + 2W	Wedge Gasket
ACW20055	8	Cleat Ventframe
ACW20056	8	Cleat Ventframe
ACIN***	2	Friction Stays (Pairs)

Glass	
W1	85 x H - 94
W2	85 x H - 94



Do Not Scale From This Drawing

**Cutting Information - Open Out Single Door**

**Profiles**

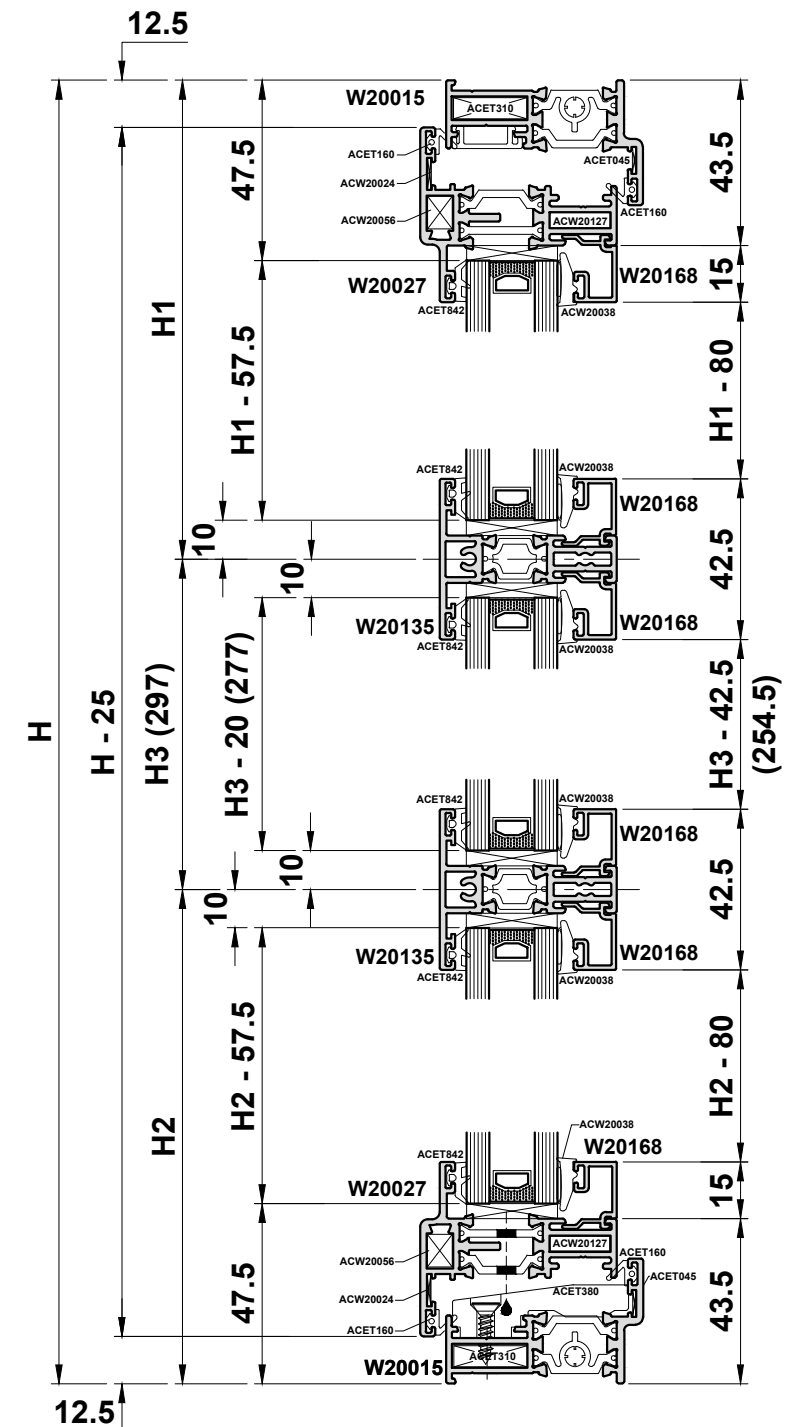
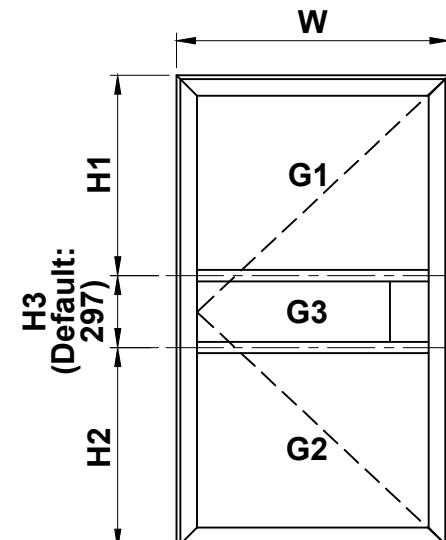
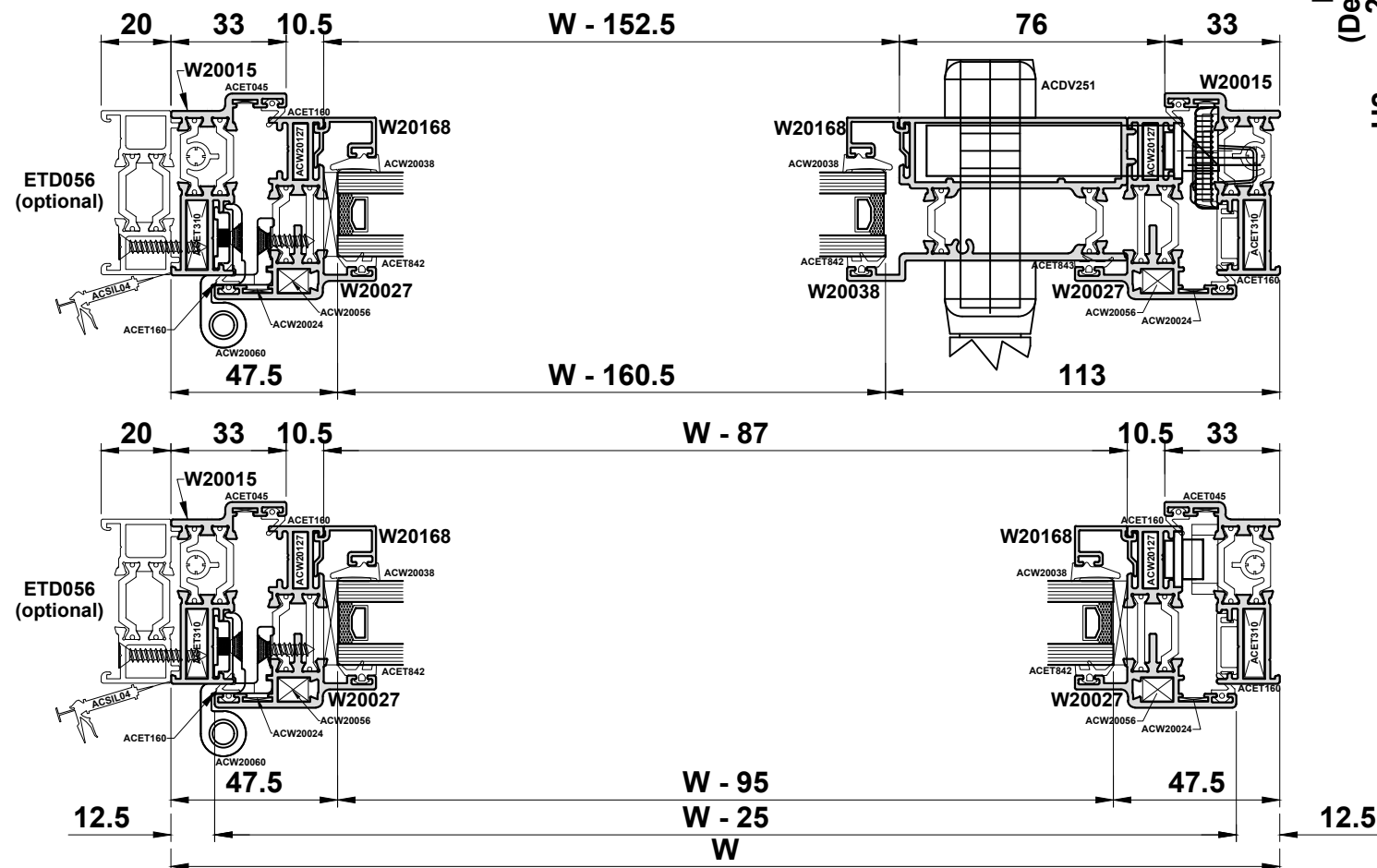
W20015		2		H
W20015		2		W
W20027		2		W - 25
W20027		2		H - 25
W20135		2		W - 87
W20038		1		285
W20168		4		W - 87
W20168		2		W - 152.5
W20168		2		H1 - 80
W20168		2		H2 - 80
W20168		2		H3 - 43
PCX41		2		H - 36
PCX41		1		W - 36

**Glass**

G1	1 x	W - 95 x H1 - 57.5
G2	1 x	W - 95 x H2 - 57.5
G3	1 x	W - 160.5 x H3 - 20

**Accessories**

ACET045	S/S Chevron	4	ACW20066L/R	Centre Keep	1
ACET066	Transom/Mullion Screw	10	ACW20067	Roller Keeps	4
ACET067	S/S CSK S/T Screw	15	ACW20058	Cylinder	1
ACET160	Outer Frame Seal	2 x (W-60) + 2 x (H-60)	ACW20127	Vent Frame Cleats	4
ACET160	Vent Frame Seal	2 x (W-25) + 2 x (H-25)			
ACET310	Outer Frame Cleats	4			
ACET380	Run-Out Block	1			
ACET390	Polyamide Screw	8			
ACET842	E Gasket	6x(W-95) + 2x(H-95)			
ACGSL045	Drainage Cap	2			
ACW20024	S/S Chevron	4			
ACW20038	Wedge Gasket	6x(W-95) + 2x(H-95)			
ACW20056	Vent Frame Cleats	4			
ACW20060	Butt Hinge	4			
ACW20061	Door Handle	1 Pair			
ACW20065	Multi-Point Lock	1			



Do Not Scale From This Drawing

Cutting Information - Open Out Single Door

Profiles

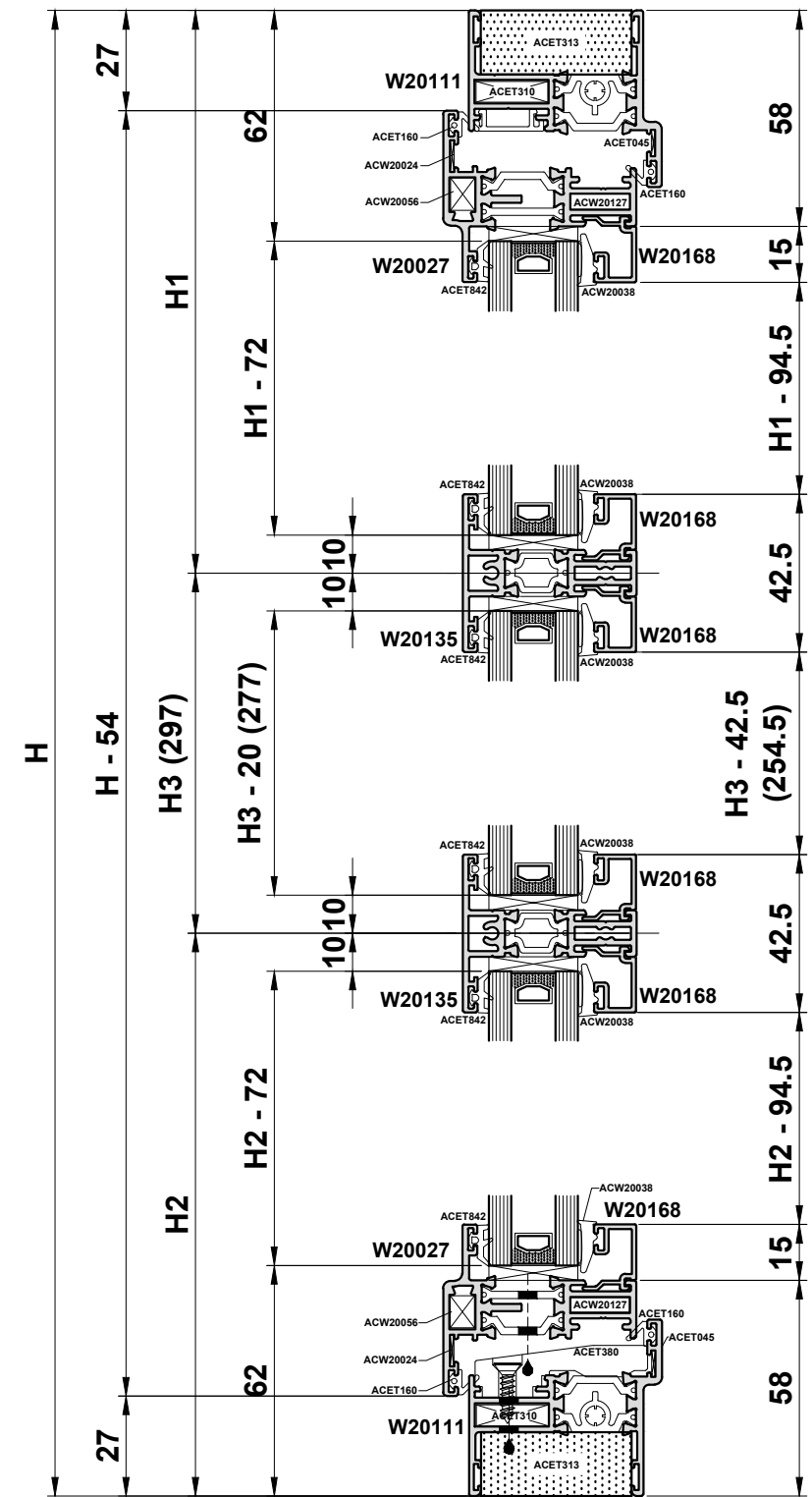
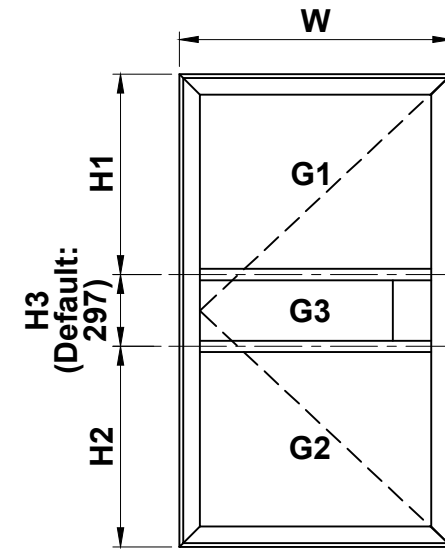
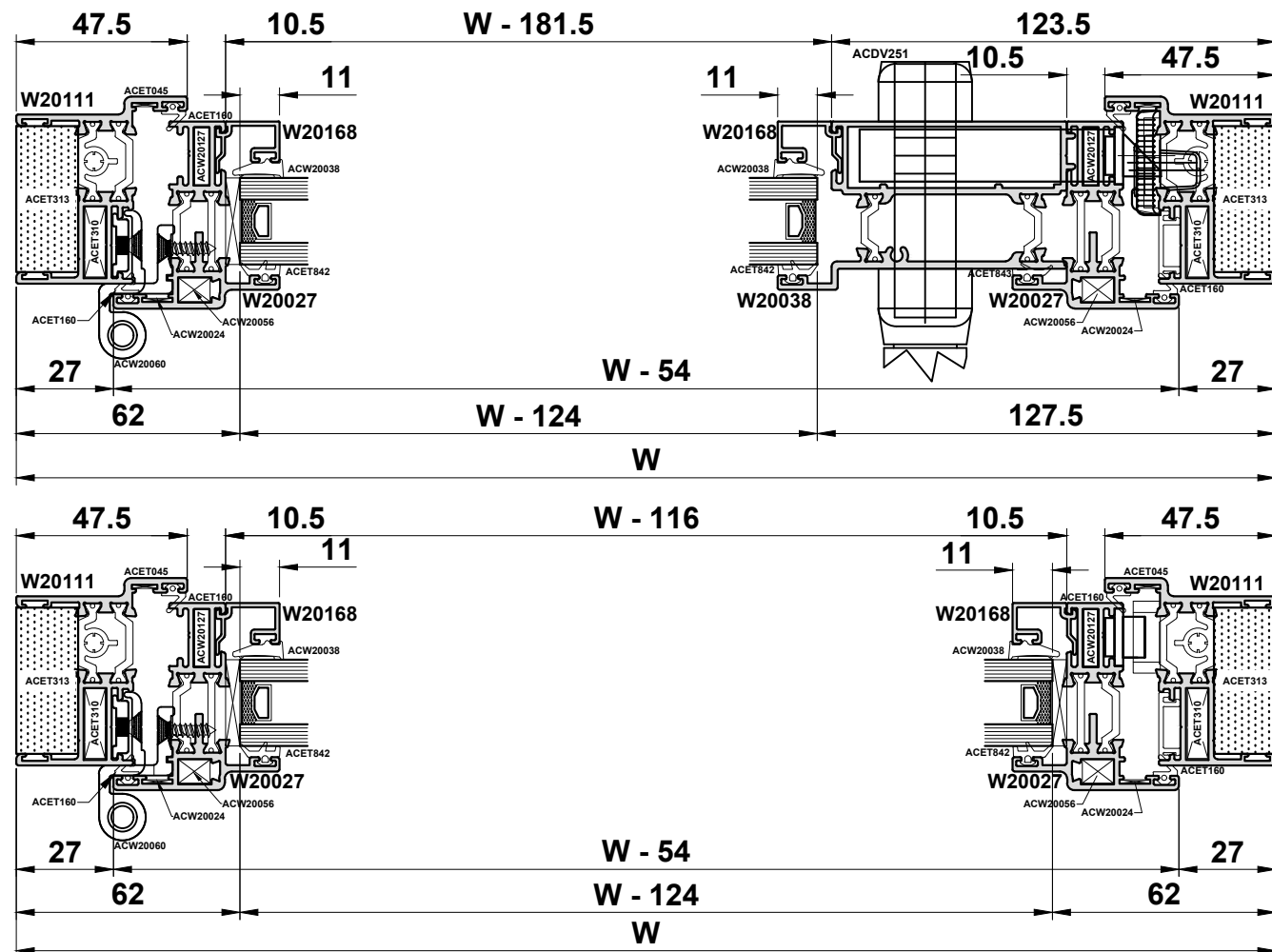
W20111		2		H
W20111		2		W
W20027		2		W - 54
W20027		2		H - 54
W20135		2		W - 116
W20038		1		285
W20168		4		W - 116
W20168		2		W - 181.5
W20168		2		H1 - 94.5
W20168		2		H2 - 94.5
W20168		2		H3 - 42.5
PCX41		2		H - 54
PCX41		1		W - 54

Accessories

ACET045	S/S Chevron	4	ACW20066L/R	Centre Keep	1
ACET066	Transom/Mullion Screw	10	ACW20067	Roller Keeps	4
ACET067	S/S CSK S/T Screw	15	ACW20058	Cylinder	1
ACET160	Outer Frame Seal	2 x (W-60) + 2 x (H-60)	ACW20127	Vent Frame Cleats	4
ACET160	Vent Frame Seal	2 x (W-25) + 2 x (H-25)	ACET313	Outerframe Foam	2H + 2W
ACET310	Outer Frame Cleats	4			
ACET380	Run-Out Block	1			
ACET390	Polyamide Screw	8			
ACET842	E Gasket	6x(W-95) + 2x(H-95)			
ACGSL045	Drainage Cap	2			
ACW20024	S/S Chevron	4			
ACW20038	Wedge Gasket	6x(W-95) + 2x(H-95)			
ACW20056	Vent Frame Cleats	4			
ACW20060	Butt Hinge	4			
ACW20061	Door Handle	1 Pair			
ACW20065	Multi-Point Lock	1			

Glass

G1	1 x	W - 124 x H1 - 72
G2	1 x	W - 124 x H2 - 72
G3	1 x	W - 124 x H3 - 20



Do Not Scale From This Drawing

Cutting Information - Open Out Double Door

Profiles

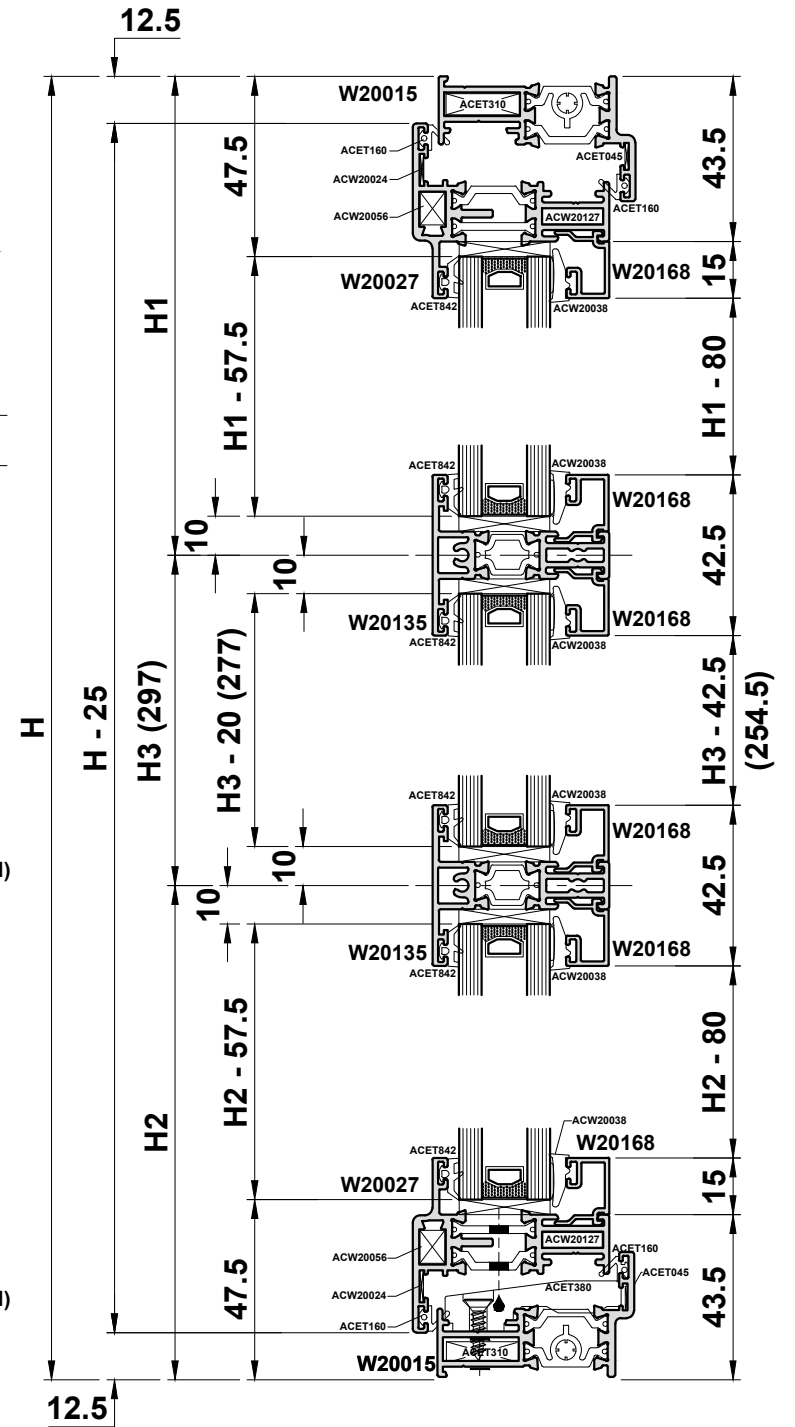
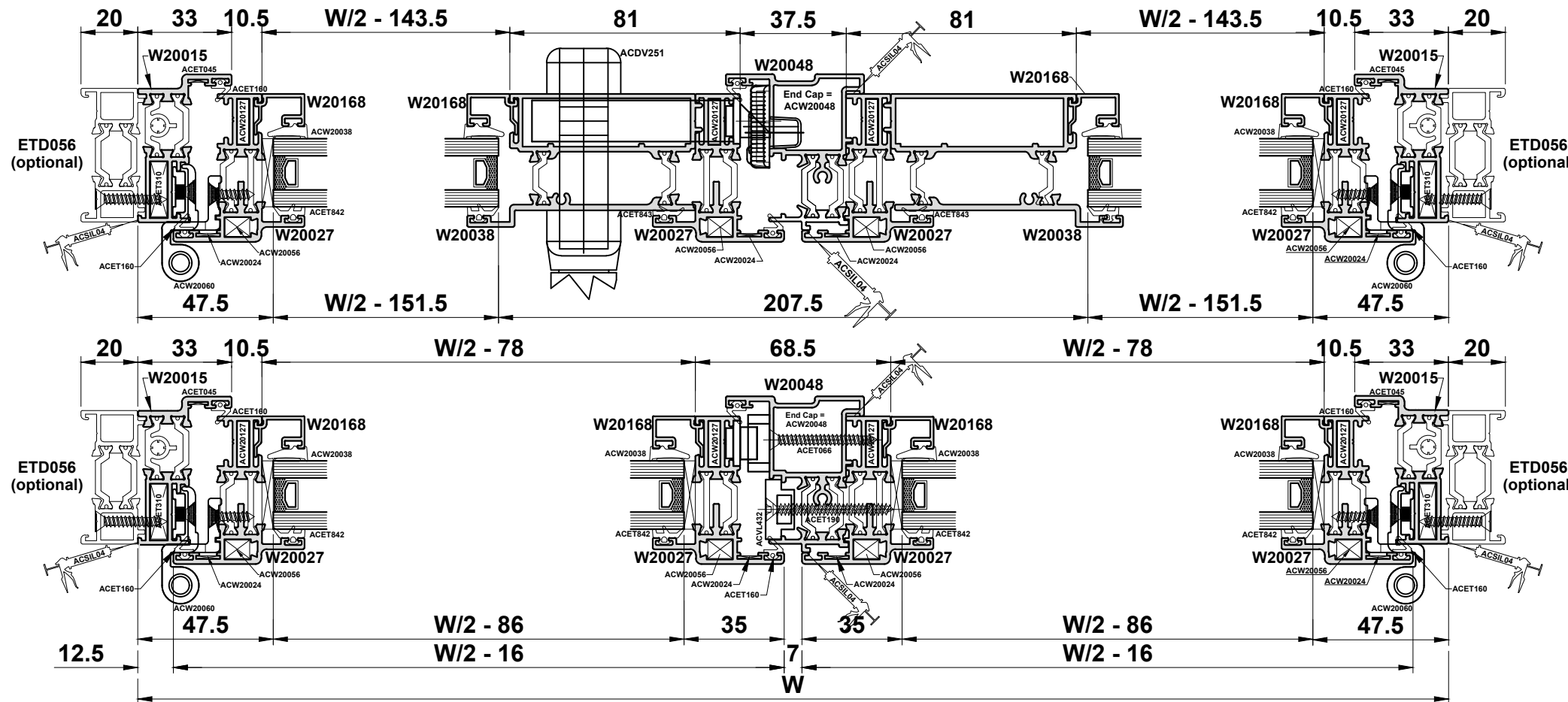
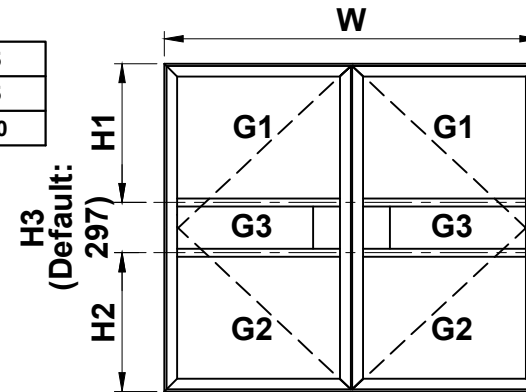
W20015	2		H
W20015	2		W
W20027	4		W/2 - 16
W20027	4		H - 25
W20037	4		W/2 - 78
W20038	2		285
W20048	1		H - 54
W20168	8		W/2 - 78
W20168	4		W/2 - 152.5
W20168	4		H1 - 80
W20168	4		H2 - 80
W20168	4		H3 - 43
PCX41	3		H - 36
PCX41	1		W - 36

Accessories

ACET045	Chevrons	4	ACW20067	Roller Keeps	4
ACET066	Transom/Mullion Screw	20	ACVL432	Shootbolt	2
ACET067	S/S CSK S/T Screw	15	ACW20127	Vent Frame Cleats	8
ACET160	Outer Frame Seal	2 x (W-60) + 4 x (H-60)	ACW20432	Shoot Bolt Keeps	2
ACET160	Vent Frame Seal	4 x(W/2-16) + 2 x(H-25)	ACET843	Seal	H3 x 2
ACET310	Outer Frame Cleats	4	ACW20060	Hinges	8
ACET380	Run up Block	2			
ACET390	Polyamide Screw	8			
ACET842	E Gasket	6x(W/2-85) + 4x(H-95)			
ACGSL045	Drainage Caps	2			
ACW20024	Chevrons	8			
ACW20038	Wedge Gasket	6x(W/2-85) + 4x(H-95)			
ACW20048	W20048 End Cap	1 Pair			
ACW20056	Vent Frame Cleats	8			
ACW20058	Cylinder	1			
ACW20061	Door Handle	1 Pair			
ACW20065	Multi-Point Lock	1			
ACW20066L/R	Centre Keep	1			

Glass

G1	2 x	W/2 - 86 x H1 - 57.5
G2	2 x	W/2 - 86 x H2 - 57.5
G3	2 x	W/2 - 151.5 x H3 - 20



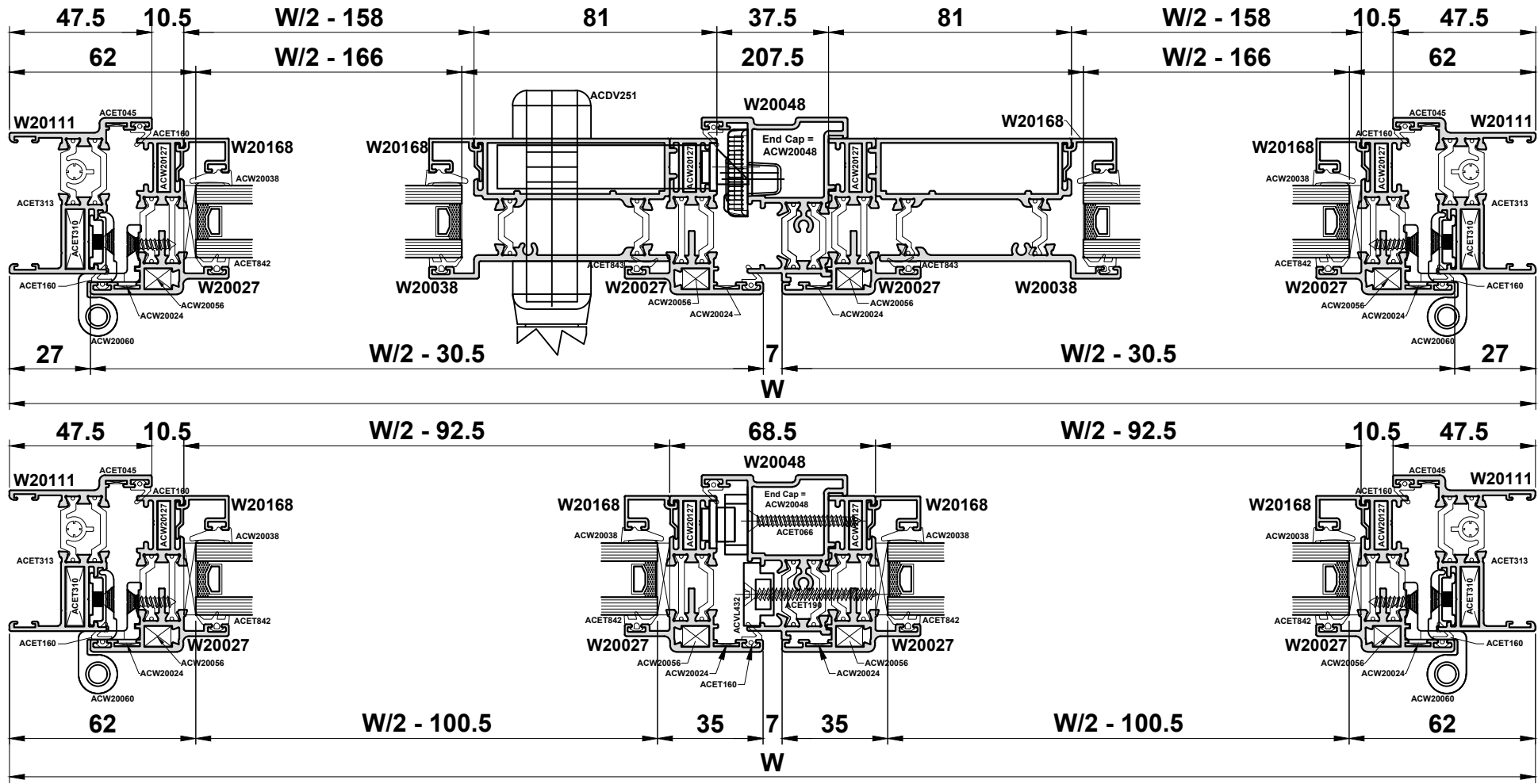
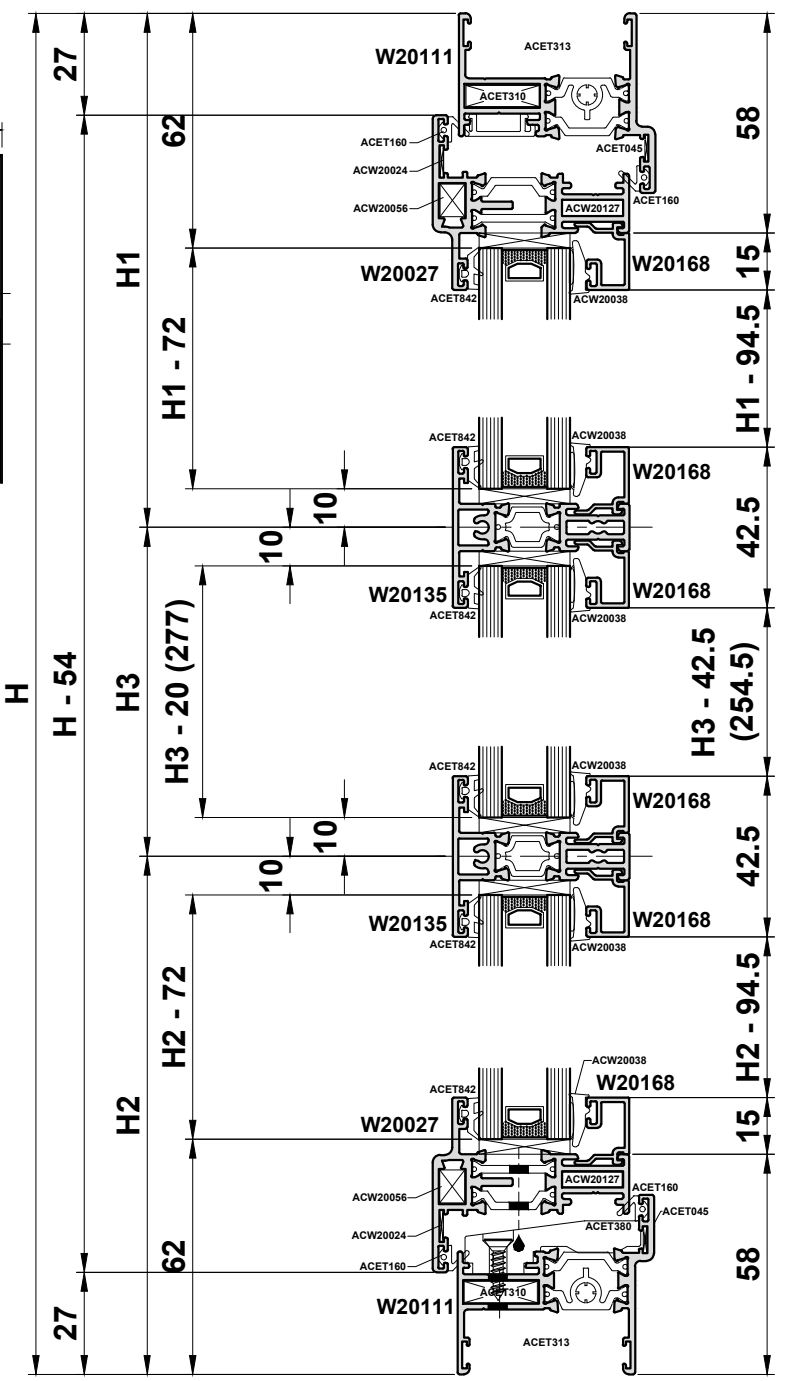
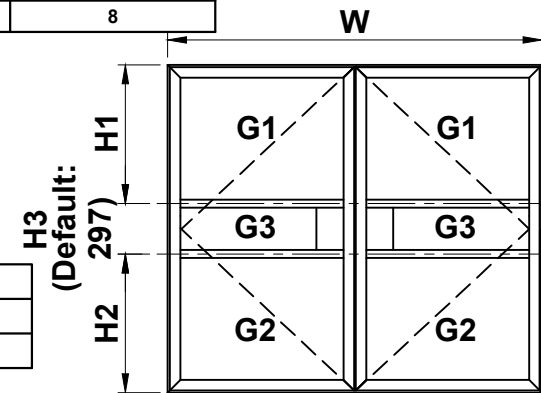
Do Not Scale From This Drawing

### Cutting Information - Open Out Double Door

Profiles			
W20111		2	H
W20111		2	W
W20027		4	W/2 - 30.5
W20027		4	H - 54
W20037		4	W/2 - 92.5
W20038		2	285
W20048		1	H - 83
W20168		8	W/2 - 92.5
W20168		4	W/2 - 158
W20168		4	H1 - 94.5
W20168		4	H2 - 94.5
W20168		4	H3 - 42.5
PCX41		3	W - 54
PCX41		1	H - 54

Accessories					
ACET045	Chevrons	4	ACW20067	Roller Keeps	4
ACET066	Transom/Mullion Screw	20	ACVL432	Shootbolt	2
ACET067	S/S CSK S/T Screw	15	ACW20127	Vent Frame Cleats	8
ACET160	Outer Frame Seal	2 x (W-60) + 4 x (H-60)	ACW20432	Shoot Bolt Keeps	2
ACET160	Vent Frame Seal	4 x(W/2-16) + 2 x(H-25)	ACET313	Outerframe Foam	2H + 2W
ACET310	Outer Frame Cleats	4	ACET843	Seal	H3 x 2
ACET380	Run up Block	2	ACW20060	Hinge	8
ACET390	Polyamide Screw	8			
ACET842	E Gasket	6x(W/2-85) + 4x(H-95)			
ACGSL045	Drainage Caps	2			
ACW20024	Chevrons	8			
ACW20038	Wedge Gasket	6x(W/2-85) + 4x(H-95)			
ACW20048	W20048 End Cap	1 Pair			
ACW20056	Vent Frame Cleats	8			
ACW20058	Cylinder	1			
ACW20061	Door Handle	1 Pair			
ACW20065	Multi-Point Lock	1			
ACW20066L/R	Centre Keep	1			

Glass		
G1	2 x	W/2 - 100.5 x H1 - 72
G2	2 x	W/2 - 100.5 x H2 - 72
G3	2 x	W/2 - 166 x H3 - 20



Do Not Scale From This Drawing



## Cutting Information - Open In Single Door

### Profiles

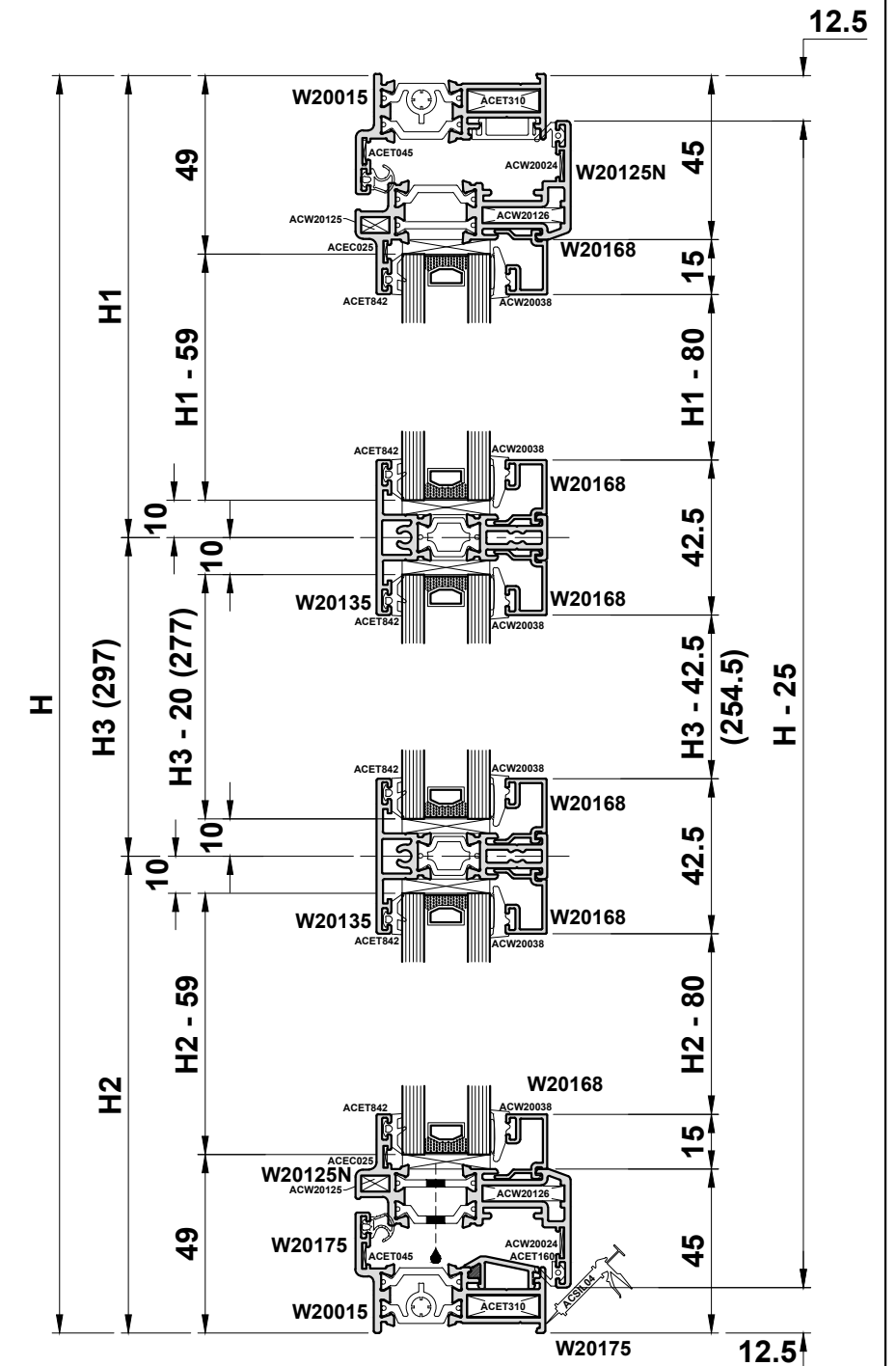
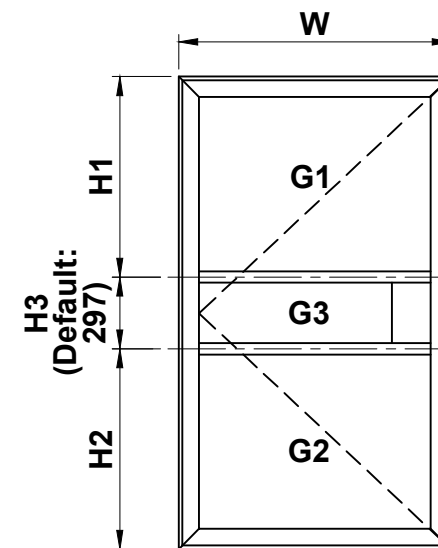
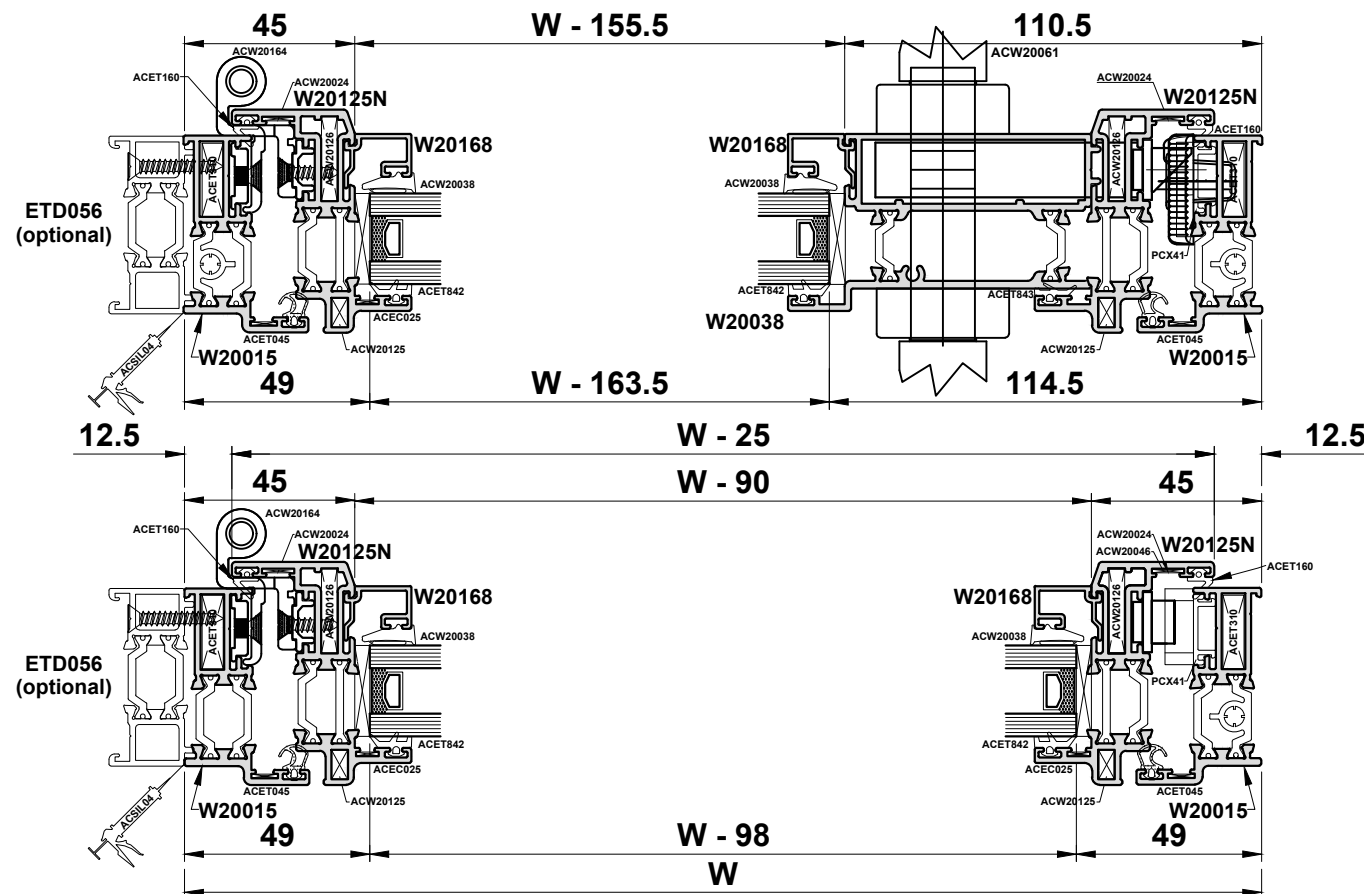
W20015		2		H
W20015		2		W
W20125N		2		W - 25
W20125N		2		H - 25
W20135		2		W - 90
W20038		1		285
W20168		4		W - 90
W20168		2		W - 152.5
W20168		2		H1 - 80
W20168		2		H2 - 80
W20168		2		H3 - 42.5
W20175		1		W - 36
PCX41		1		1xW & 2xH

### Accessories

ACEC025	Chevrons	2	ACW20166L/R	Centre Keep	1
ACET045	Chevrons	2	ACET067	S/S CSK S/T Screw	15
ACET066	Transom/Mullion Screw	6	ACET390	Polyamide Screw	8
ACET160	Vent Frame Seal	2 x (W-25) + 2 x (H-25)	ACW20058	Cylinder	1
ACET310	Outer Frame Cleats	4	ACW20061	Door Handle	1 Pair
ACET380	Run-Out Block	2	ACET843	Seal	H3
ACET842	E Gasket	6x(W-95) + 2x(H-95)			
ACGSL045	Drainage Cap	2			
ACVS033	Outer Frame Seal	2 x (W-60) + 2 x (H-60)			
ACW20024	Chevrons	4			
ACW20038	Wedge Gasket	6x(W-95) + 2x(H-95)			
ACW20164	Hinges	4			
ACW20065	Multi-Point Lock	1			
ACW20067	Roller Keeps	4			
ACW20125	Vent Frame Cleats	4			
ACW20126	Vent Frame Cleats	4			

### Glass

G1	1 x	W - 98 x H1 - 59
G2	1 x	W - 98 x H2 - 59
G3	1 x	W - 163.5 x H3 - 20



Do Not Scale From This Drawing

## Cutting Information - Open In Single Door

### Profiles

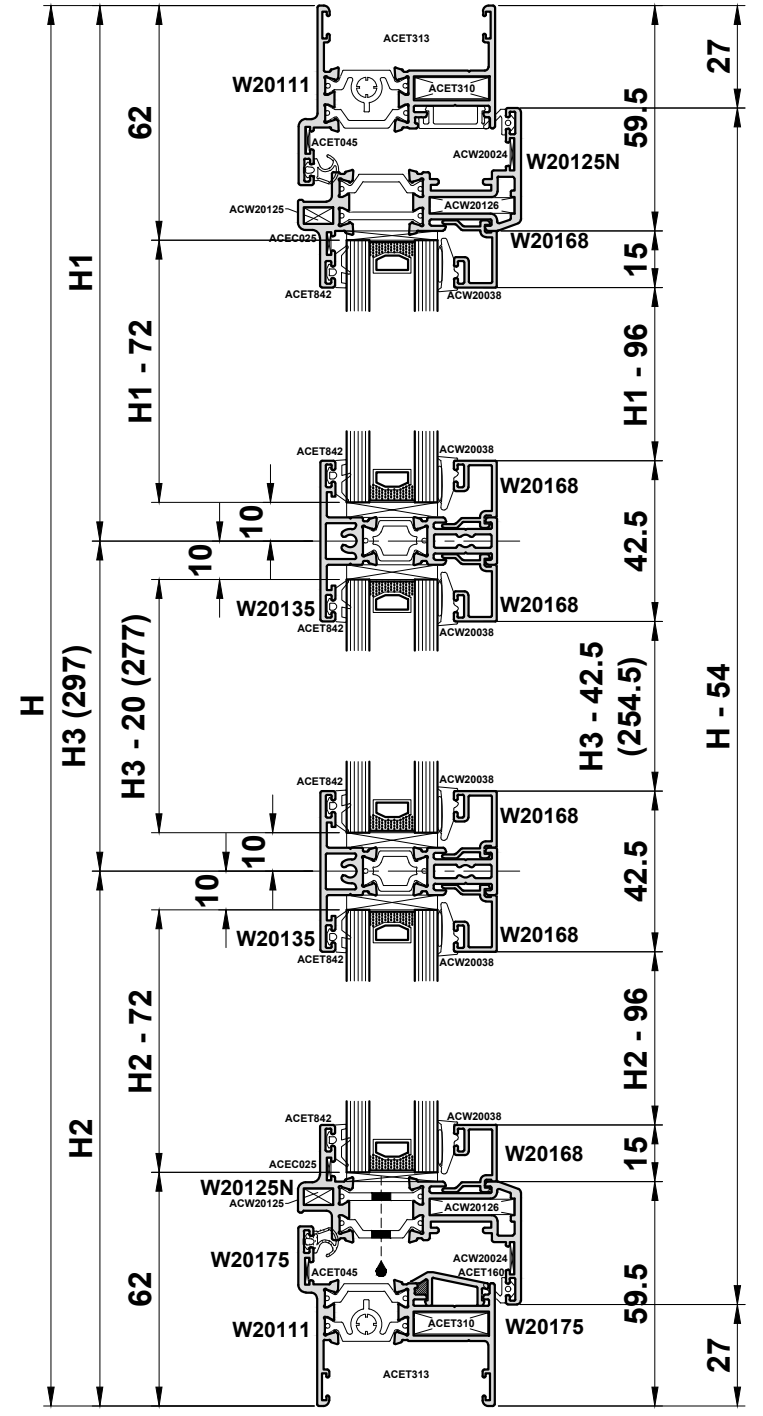
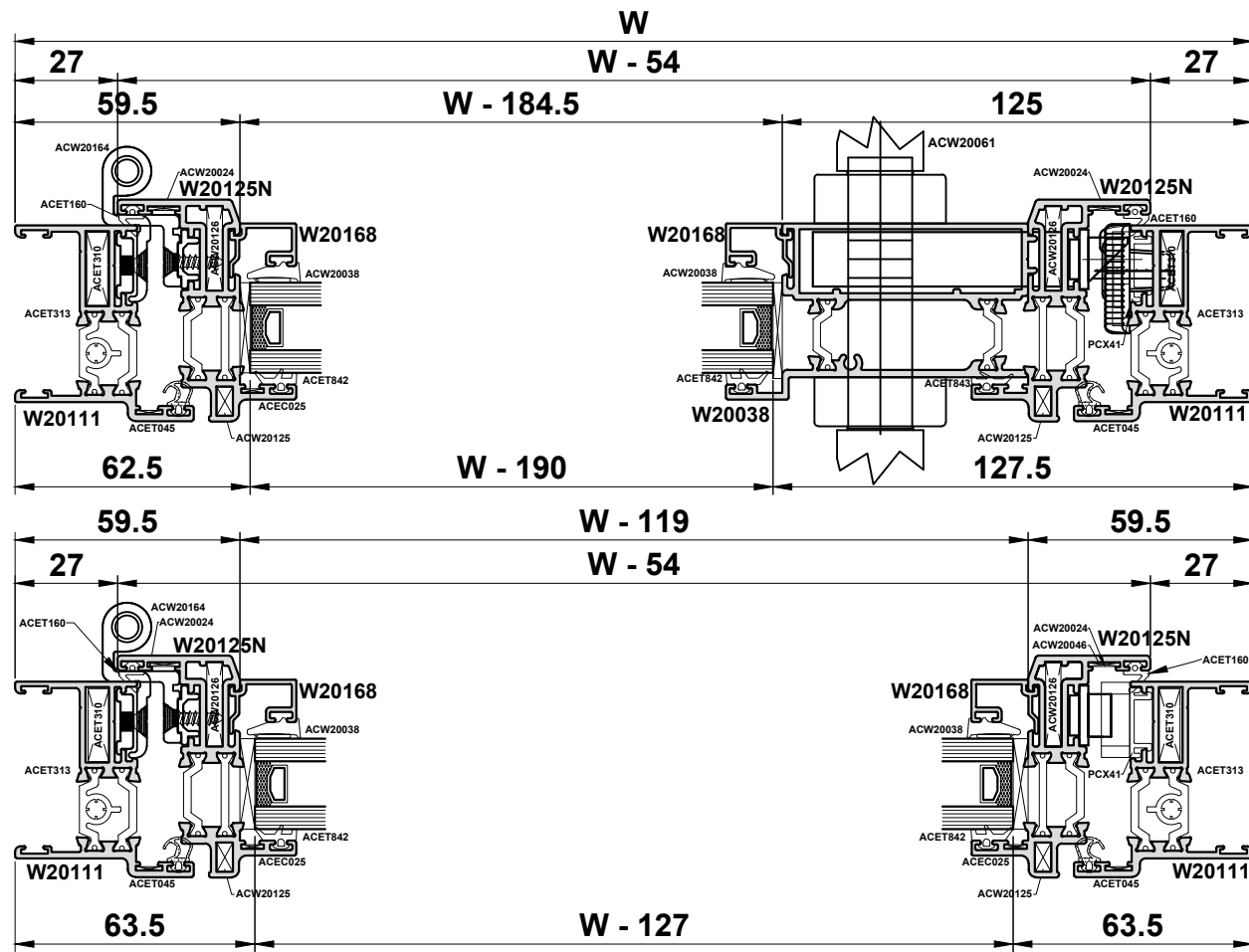
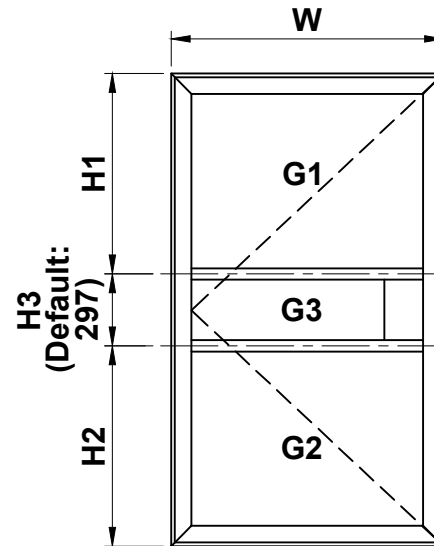
W20111		2		H
W20111		2		W
W20125N		2		W - 54
W20125N		2		H - 54
W20135		2		W - 119
W20038		1		285
W20168		4		W - 119
W20168		2		W - 184.5
W20168		2		H1 - 96
W20168		2		H2 - 96
W20168		2		H3 - 42.5
W20175		1		W - 59
PCX41		1		1xW & 2xH

### Glass

G1	1 x	W - 127 x H1 - 96
G2	1 x	W - 127 x H2 - 96
G3	1 x	W - 190 x H3 - 20

### Accessories

ACEC025	Chevrons	2	ACW20166L/R	Centre Keep	1
ACET045	Chevrons	2	ACET067	S/S CSK S/T Screw	15
ACET066	Transom/Mullion Screw	6	ACET390	Polyamide Screw	8
ACET160	Vent Frame Seal	2 x (W-25) + 2 x (H-25)	ACW20058	Cylinder	1
ACET310	Outer Frame Cleats	4	ACW20061	Door Handle	1 Pair
ACET380	Run-Out Block	2	ACET313	Outerframe Foam	2H + 2W
ACET842	E Gasket	6x(W-95) + 2x(H-95)	ACET843	Seal	H3
ACGSL045	Drainage Cap	2			
ACVS033	Outer Frame Seal	2 x (W-60) + 2 x (H-60)			
ACW20024	Chevrons	4			
ACW20038	Wedge Gasket	6x(W-95) + 2x(H-95)			
ACW20056	Vent Frame Cleats	4			
ACW20164	Hinges	4			
ACW20065	Multi-Point Lock	1			
ACW20067	Roller Keeps	4			
ACW20125	Vent Frame Cleats	4			
ACW20126	Vent Frame Cleats	8			



Do Not Scale From This Drawing



## Cutting Information - Open In Double Door

Profiles			
W20111		2	H
W20111		2	W
W20125N		4	W/2 - 31
W20125N		4	H - 54
W20135		4	W/2 - 96
W20038		2	285
W20148		1	H - 83
W20168		8	W/2 - 96
W20168		4	W/2 - 161.5
W20168		4	H1 - 96
W20168		4	H2 - 96
W20168		4	H3 - 42.5
W20175		1	W - 59
PCX41		1	1xW & 3xH

Glass			
G1	2 x	W/2 - 104 x H1 - 73.5	
G2	2 x	W/2 - 104 x H2 - 73.5	
G3	2 x	W/2 - 168.5 x H3 - 20	

Accessories					
ACET045	Chevrons	6	ACW20432	Shoot Bolt Keeps	2
ACET045	Chevrons	6	ACET067	S/S CSK S/T Screw	15
ACET066	Transom/Mullion Screw	20	ACET390	Polyamide Screw	8
ACET160	Vent Frame Seal	4 x(W/2-16) + 3 x(H-25)	ACW20058	Cylinder	1
ACET310	Outer Frame Cleats	4	ACW20061	Door Handle	1 Pair
ACET380	Run-Up Block	4	ACET313	Outerframe Foam	2H + 2W
ACET842	E Gasket	12x(W/2-85) + 4x(H-95)	ACET843	Seal	H3 x 2
ACGSL045	Drainage Caps	4			
ACVL432	Shootbolt	2			
ACVS033	Outer Frame Seal	2 x (W-60) + 3 x (H-60)			
ACW20024	Chevrons	8			
ACW20038	Wedge Gasket	12x(W/2-85) + 4x(H-95)			
ACW20164	Hinges	8			
ACW20065	Multi-Point Lock	1			
ACW20067	Roller Keeps	4			
ACW20125	Vent Frame Cleats	8			
ACW20126	Vent Frame Cleats	4			
ACW20148	W20148 End Cap	1 Pair			
ACW20166L/R	Centre Keep	1			

